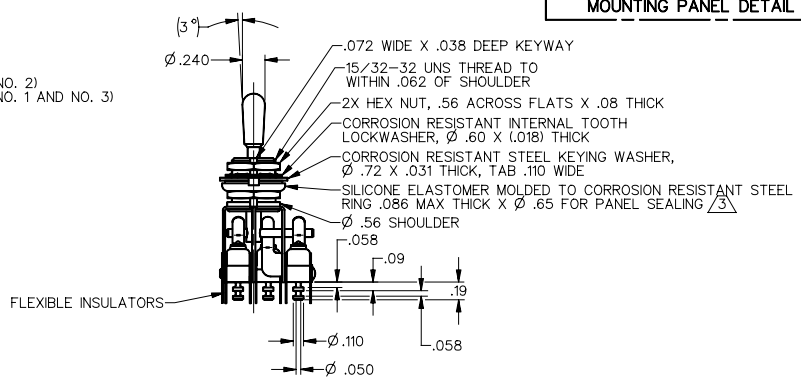
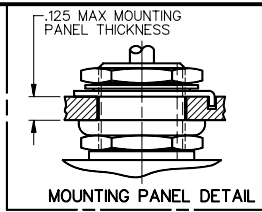
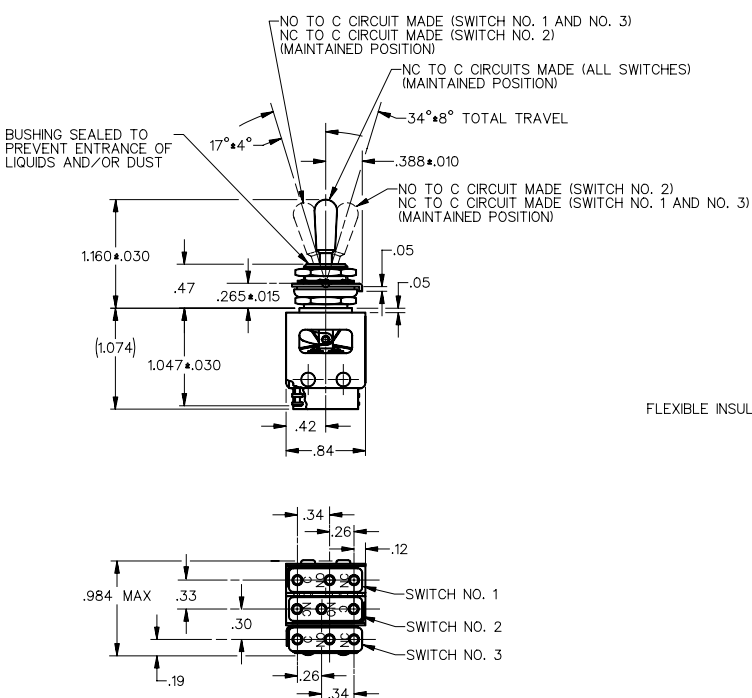


CATALOG LISTING 31AT140-T2
 ISSUE 2
 REVISIONS
 A 10/77
 B 1/78
 C 1/78
 D 1/78
 E 1/78
 F 1/78
 G 1/78
 H 1/78
 I 1/78
 J 1/78
 K 1/78
 L 1/78
 M 1/78
 N 1/78
 O 1/78
 P 1/78
 Q 1/78
 R 1/78
 S 1/78
 T 1/78
 U 1/78
 V 1/78
 W 1/78
 X 1/78
 Y 1/78
 Z 1/78
 DDW/CAD
 DRAWN
 J J A 23 JUL 96
 CHECK J A F 23 JUL 96
 RELEASE NO. PR-22127-T
 REFLECTS
 1 OF 1
 PAGE

MICRO SWITCH
a Honeywell Division
FED. MFG. CODE 91924

**ASSEMBLY-
TOGGLE SWITCH**

CATALOG LISTING
31AT140-T2



NOTES
 1 - 3X UNIT INCLUDES CATALOG LISTING 1SM23-T2 TYPE GOLD CONTACT BASIC SWITCHES
 2 - TERMINALS ARE PLATED FOR SOLDERING
 3 - FOR PANEL SEAL TO BE EFFECTIVE, MOUNTING HOLE IN PANEL SHOULD NOT EXCEED Ø .500

THIS DRAWING COVERS A PROPRIETARY ITEM AND IS THE PROPERTY OF MICRO SWITCH, A DIVISION OF HONEYWELL. THIS DRAWING IS NOT TO BE COPIED OR USED WITHOUT THE APPROVAL OF MICRO SWITCH		THIRD ANGLE PROJECTION
CHARACTERISTICS	ELECTRICAL DATA CONTACT ARRANGEMENT 3X S P D T	SCALE FULL DO NOT SCALE PRINT UNLESS OTHERWISE SPECIFIED TOLERANCES ARE ONE PLACE (.0) ±.030 TWO PLACE (.00) ±.015 THREE PLACE (.000) ±.005 ANGLES ± WEIGHT
	30 VOLTS DC RATING INDUCTIVE--- SEA LEVEL--- 5 AMP 50,000 FT --- 5 AMP RESISTIVE--- SEA LEVEL--- 1 AMP 50,000 FT --- 1 AMP MAXIMUM INRUSH--- 2 AMP	

ANSI Y14.5M-1982 APPLIES