

# KSR Long Life-200,000 cycles-Gold and Silver Series Subminiature Tact Switch for SMT

## Features/Benefits

- Saves PCB space
- Range of 4 actuation forces
- G terminations
- N.O.
- Detect type available
- Rubber actuator
- IP 50 sealed
- RoHS compliant and compatible

## Typical Applications

- Automotive
- Cellular phones & accessories
- Industrial electronics
- Computers & network equipment



B

Tactile Switches

## Specification

FUNCTION: momentary action  
CONTACT ARRANGEMENT: Normally Open  
TERMINALS: Gullwing type for SMT

## Mechanical

Type	Operating force(Fa) Newtons (grams)	Operating life (operations)	Travel
<b>Silver versions</b>			
KSR212G LFS	1.5 < Fa < 2.2	200,000	0,25 ± 0,15
KSR222G LFS	1.9 < Fa < 2.6	200,000	0,3 ± 0,15
KSR232G LFS	2.25 < Fa < 3.75	200,000	0,35 ± 0,15
KSR252G LFS	3.37 < Fa < 5.6	200,000	0,5 ± 0,15
<b>Gold versions</b>			
KSR214G LFS	1.5 < Fa < 2.2	200,000	0,25 ± 0,15
KSR224G LFS	1.9 < Fa < 2.6	200,000	0,3 ± 0,15
KSR234G LFS	2.25 < Fa < 3.75	200,000	0,35 ± 0,15
KSR254G LFS	3.37 < Fa < 5.6	200,000	0,5 ± 0,15

OVERLOAD: 20 Newtons

## Packaging

Switches are delivered on continuous tape, in reels of 2,500 pieces.

## Electrical

	Silver	Gold
MAXIMUM POWER:	1 VA	0.2 VA
MAXIMUM VOLTAGE:	32 V dc	32 V dc
MINIMUM VOLTAGE:	20 m Vdc	20 m Vdc
MAXIMUM CURRENT DC:	50 mA	10 mA
MINIMUM CURRENT DC:	1 mA	1 mA

CONTACT RESISTANCE: ≤ 100 m\_Ω  
INSULATION RESISTANCE (100 V): 1 G\_Ω  
BOUNCE TIME: 1 ms max

## Environmental

	Silver	Gold
OPERATING TEMPERATURE:	-40°C to 85°C	-40°C to 125°C
STORAGE TEMPERATURE:	-55°C to 85°C	-55°C to 125°C

## Process

SOLDERING: Compatible with lead free reflow soldering process.

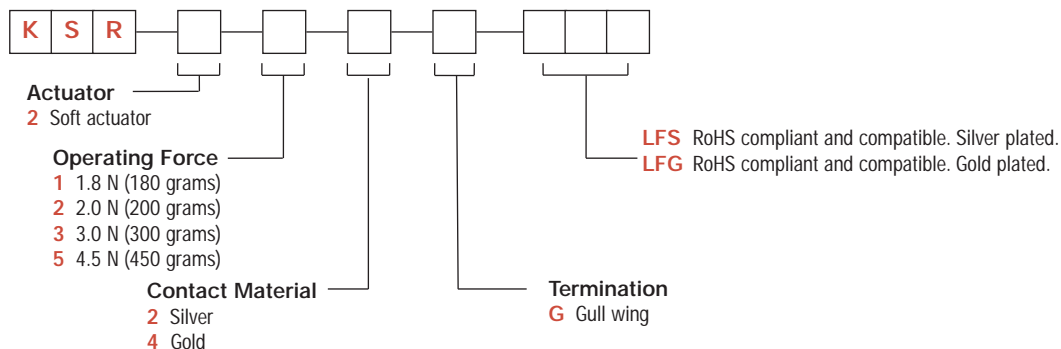
**NOTE:** Specifications listed above are for switches with standard options.  
For information on specific and custom switches, consult Customer Service Center.

## How To Order

Our easy build-a-switch concept allows you to mix and match options to create the switch you need. To order, select desired option from each category and place it in the appropriate box.

However, please note that all the combinations of these options are not feasible.

For any part number different from those listed above, please consult your local representative.

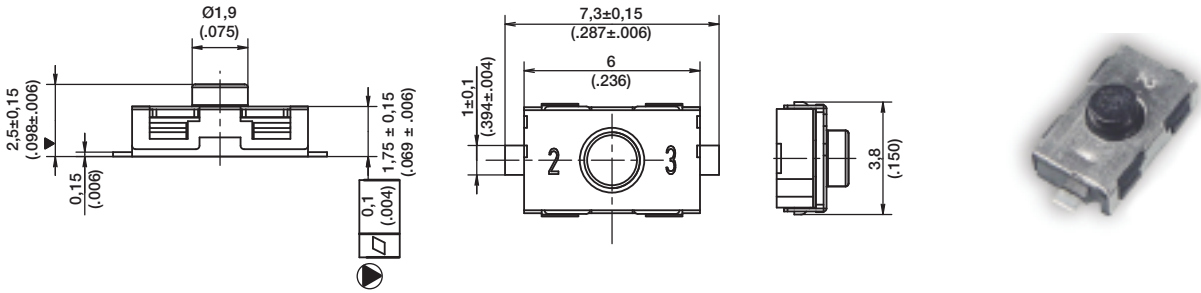


Dimensions shown in: mm (inch)  
Specifications and dimensions subject to change

www.ck-components.com

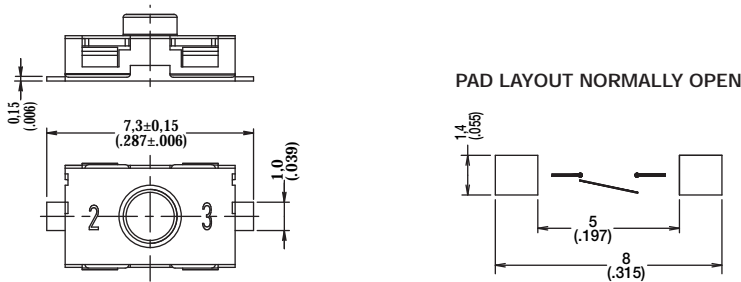
# KSR Long Life-200,000 cycles-Gold and Silver Series Subminiature Tact Switch for SMT

KSR

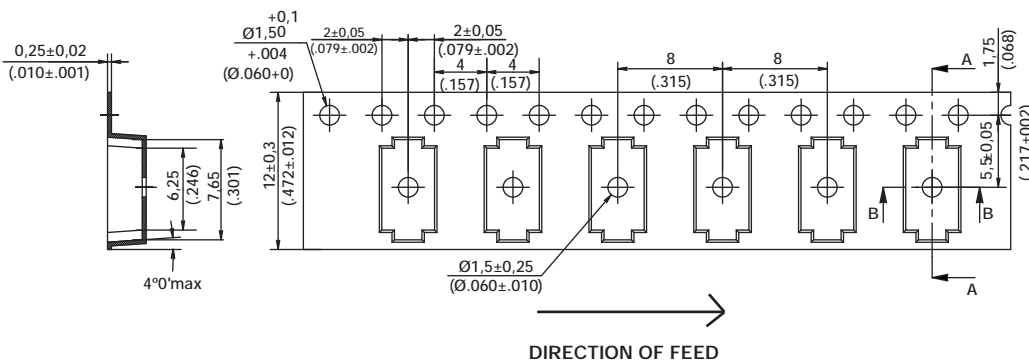


Tactile Switches

G GULLWING



## TAPE & REEL



Dimensions shown in: mm (inch)  
Specifications and dimensions subject to change

www.ck-components.com