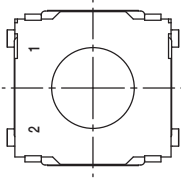
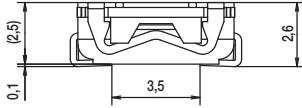


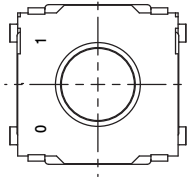
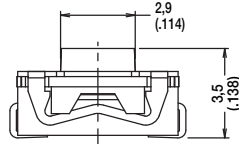
KSC Series Sealed Tact Switch for SMT

ACTUATOR

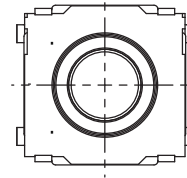
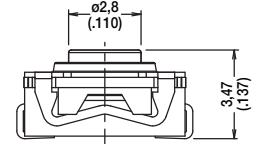
KSC1 WITHOUT, 2,5 mm HIGH



KSC2 SOFT, 3,5 mm HIGH



KSC3 HARD, 3,5 mm HIGH

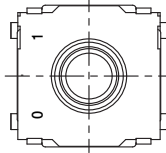
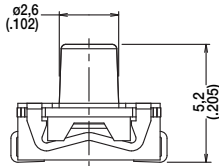


B

Tactile Switches

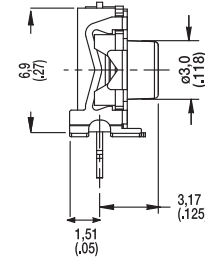
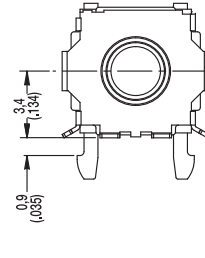
KSC4 SOFT, 5,2 mm HIGH

NOTE: KSC4 standard silicone material is 70 shore, the only exception is KSC401J which is 50 shore.

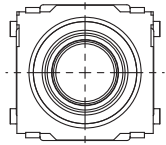
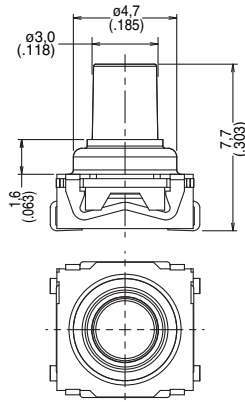


KSC4 KSC421V ONLY

NOTE: KSC421V requires metalized holds for simultaneous reflow soldering of switch terminals and bracket terminals.

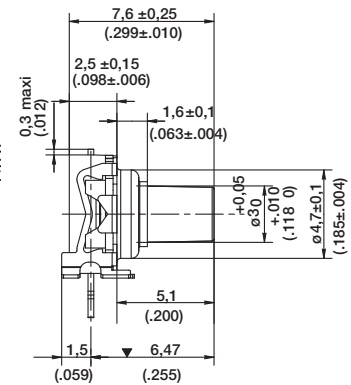
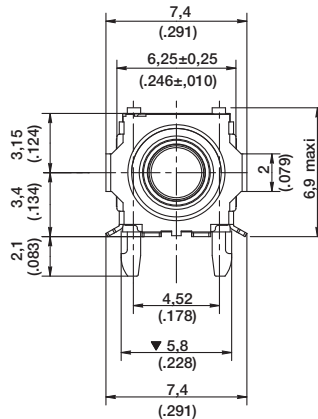


KSC6 HARD, 7,7 mm HIGH



KSC6 KSC621V ONLY

NOTE: KSC621V requires metalized holds for simultaneous reflow soldering of switch terminals and bracket terminals.

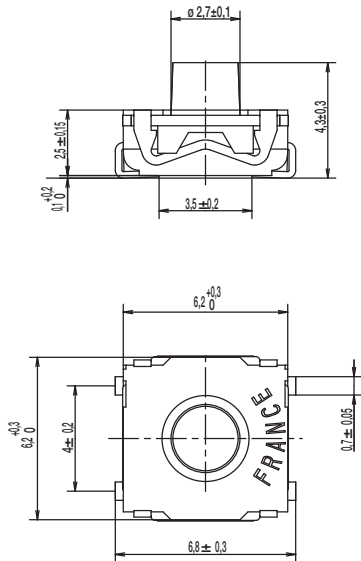


Dimensions are shown: Inch (mm)
Specifications and dimensions subject to change



KSC Series Sealed Tact Switch for SMT

KSC7 SOFT, 4,3 mm HIGH



B

Tactile Switches

OPERATING FORCE



OPTION CODE	OPERATING FORCE
0	1.2 N (120 grams)
1	1.4 N (140 grams)
2	1.6 N / 1.7 N (160/170 grams)
4	3 N / 3.5 N (300/350 grams)
5	5.5 N (550 grams)

CONTACT MATERIAL



OPTION CODE	MATERIAL
1	SILVER
3	GOLD



First Angle
Projection

Dimensions are shown: Inch (mm)
Specifications and dimensions subject to change

KSC Series Sealed Tact Switch for SMT

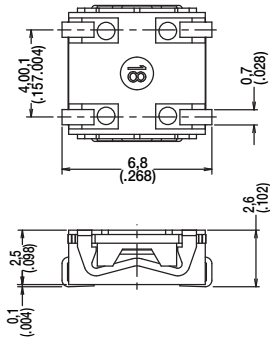
TERMINATION



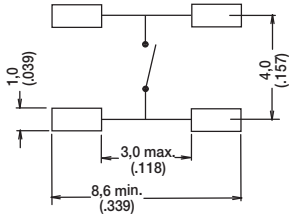
Tactile Switches

B

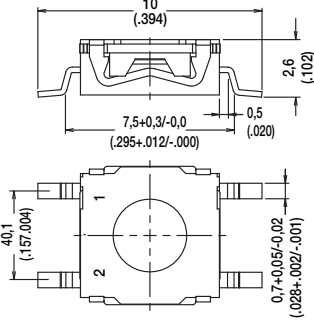
J BEND



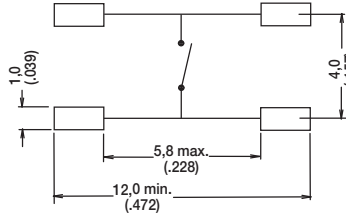
PAD LAYOUT



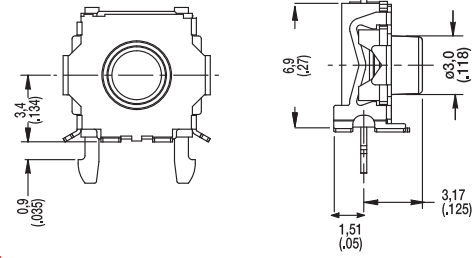
G GULLWING



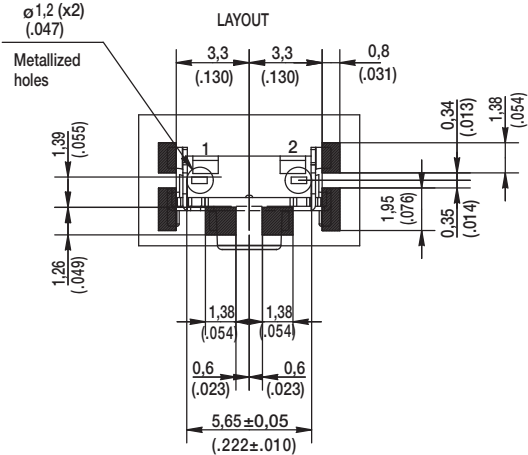
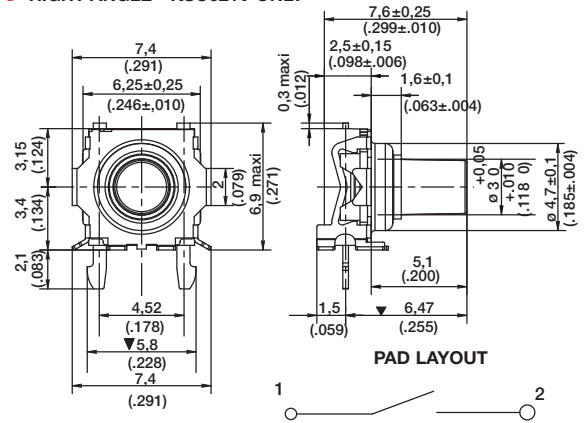
PAD LAYOUT



V RIGHT ANGLE - KSC421V ONLY



V RIGHT ANGLE - KSC621V ONLY



First Angle
Projection

Dimensions are shown: Inch (mm)
Specifications and dimensions subject to change

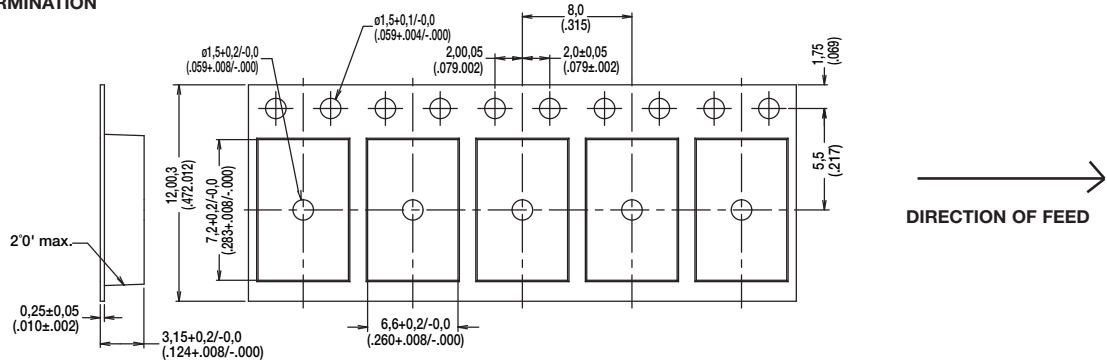
www.ck-components.com



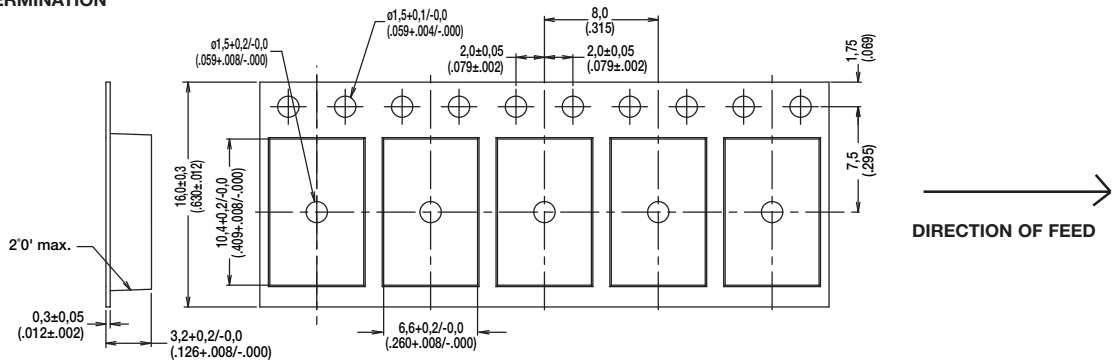
KSC Series Sealed Tact Switch for SMT

TAPE & REEL

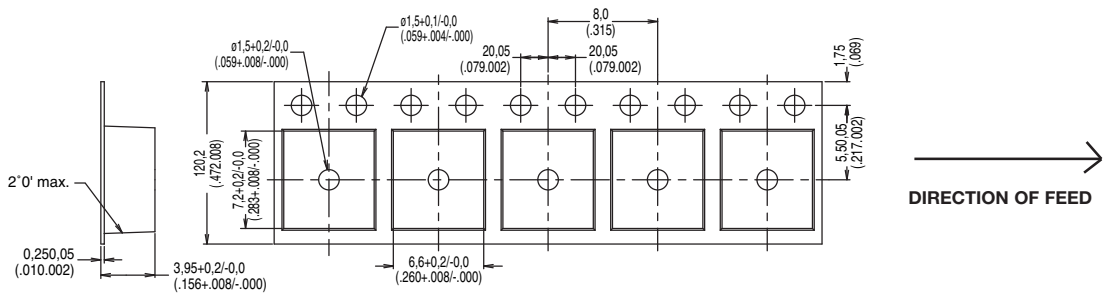
FOR KSC1 J TERMINATION



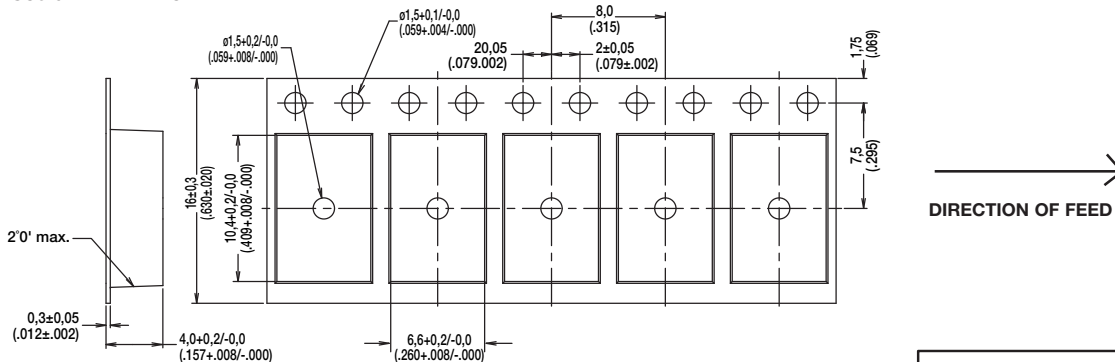
FOR KSC1 G TERMINATION



FOR KSC2 & KSC3 J TERMINATION



FOR KSC2 & KSC3 G TERMINATION



Dimensions are shown: Inch (mm)
Specifications and dimensions subject to change



Tactile Switches

