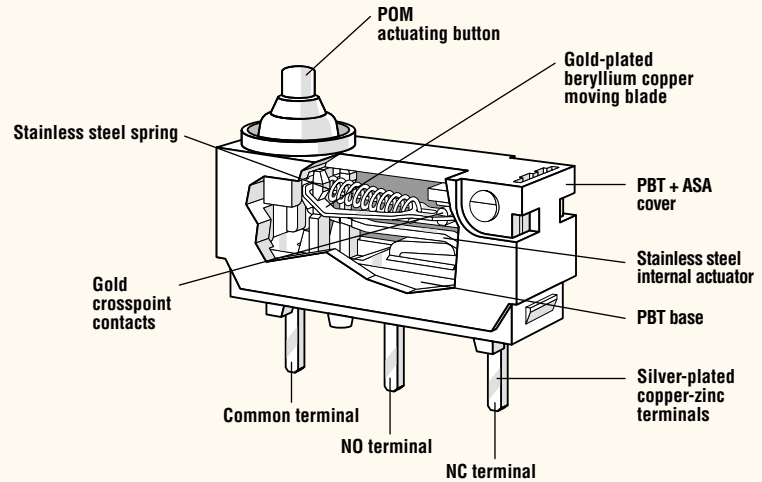


# SUBMINIATURE — SEALED

# DK Series

## Features

- Enclosed switch complying with IP 6K5. IP 6K7 available on request
- Very small dimensions, 0.579" x 0.213" x 0.268" (14.7mm x 5.4mm x 6.8mm)
- Models available for operating temperatures up to 105°C
- Rated for 5mA@12VDC or 2A@12VDC
- Can be actuated vertically or by auxiliary actuator
- Gold crosspoint contacts for high contact stability
- Mechanical life: min. 500,000 operations
- Wide variety of connection options, also available with leads



## Specifications

### Electrical

Temperature Rating:	-40°C to +85°C
Flammability Rating:	N/A

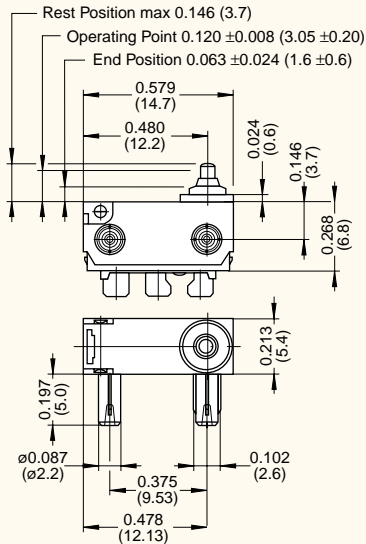
### Materials

Base:	PBT
Cover:	PBT + ASA
Actuator:	POM (+85°C)
Auxiliary Actuator:	Stainless Steel
Internal Actuator:	Stainless Steel
Spring:	Stainless Steel
Moving Blade:	Gold-Plated Beryllium Copper
Terminals:	Silver-Plated Copper-Zinc
Contacts:	Gold Crosspoint
Gasket:	Silicon

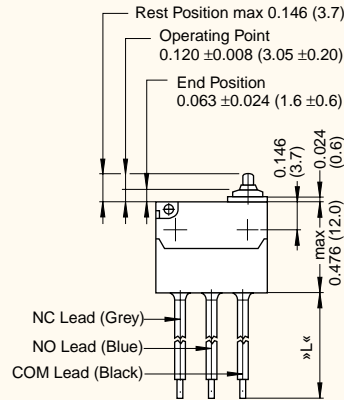
ASA = Acrylonitrile-styrene-acrylicester • PBT = Polybutyleneterephthalate • POM = Polyacetal



### Dimensions inches (mm)

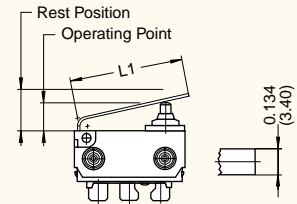


### DK Sub-miniature Switch with Leads (IP6K7 Compliant)

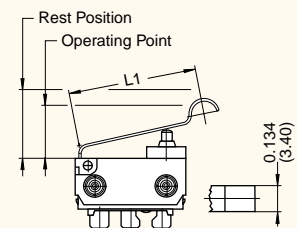


### Auxiliary Actuators inches (mm)

#### Straight

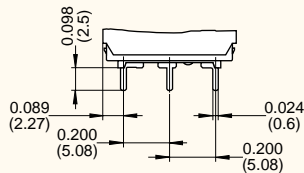


#### Simulated Roller

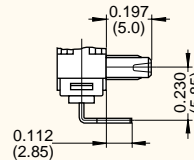


### Terminal Options inches (mm)

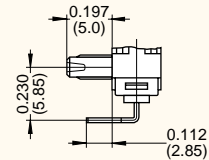
#### PCB Terminals — Straight 0.024 x 0.020 (0.6 x 0.5)



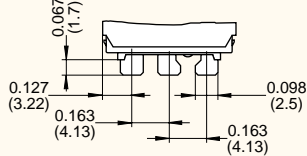
#### PCB Terminals RH Side with Location Pins 0.024 x 0.020 (0.6 x 0.5)



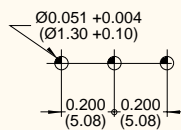
#### PCB Terminals LH Side with Location Pins 0.024 x 0.020 (0.6 x 0.5)



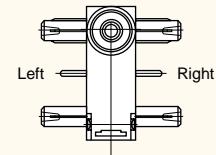
#### Solder Terminals 0.098 x 0.020 (2.5 x 0.5)



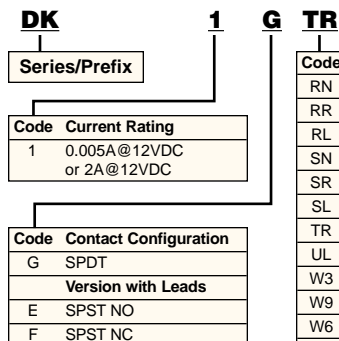
#### Drilling Patterns for PCB Terminals (Side and Underside) 0.024 x 0.020 (0.6 x 0.5)



#### Top-down View of Lateral Terminals



### Ordering Information



Code	Terminal Type inches (mm)
RN	0.098 x 0.020 (2.5 x 0.5) Solder, Straight w/o Pins
RR	0.098 x 0.020 (2.5 x 0.5) Solder, Straight with RH Pins
RL	0.098 x 0.020 (2.5 x 0.5) Solder, Straight with LH Pins
SN	0.024 x 0.020 (0.6 x 0.5) PCB, Straight w/o Pins
SR	0.024 x 0.020 (0.6 x 0.5) PCB, Straight with RH Pins
SL	0.024 x 0.020 (0.6 x 0.5) PCB, Straight with LH Pins
TR	0.024 x 0.020 (0.6 x 0.5) PCB, RH Side with RH Pins
UL	0.024 x 0.020 (0.6 x 0.5) PCB, LH Side with LH Pins
W3	9.843 (250) Leads 0.014 <sup>2</sup> (0.35 <sup>2</sup> ) to Underside w/o Pins
W9	9.843 (250) Leads 0.014 <sup>2</sup> (0.35 <sup>2</sup> ) to Underside with RH Pins
W6	9.843 (250) Leads 0.014 <sup>2</sup> (0.35 <sup>2</sup> ) to Underside with LH Pins
Z3	19.685 (500) Leads 0.014 <sup>2</sup> (0.35 <sup>2</sup> ) to Underside w/o Pins
Z9	19.685 (500) Leads 0.014 <sup>2</sup> (0.35 <sup>2</sup> ) to Underside with RH Pins
Z6	19.685 (500) Leads 0.014 <sup>2</sup> (0.35 <sup>2</sup> ) to Underside with LH Pins

Code	Actuator Type
A0	Without Auxiliary Actuator
D1	Straight Spring-Loaded Auxiliary Actuator
E1	Simulated Roller, Spring-Loaded