

MICRO SWITCH

FREEPORT ILLINOIS, U.S.A
A DIVISION OF HONEYWELL
FED. MFG. CODE 91929

SWITCH-BASIC

CATALOG LISTING

BM-2R559729-A4

CATALOG LISTING

BM-2R559729-A4

PAGE 1 OF 1

RELEASE NO. PR-23556

CHECK

REVISIONS

A	0035413
	JA 07DEC07

CHECK ASD

CHECK

1 JUL 98

CHECK J A F

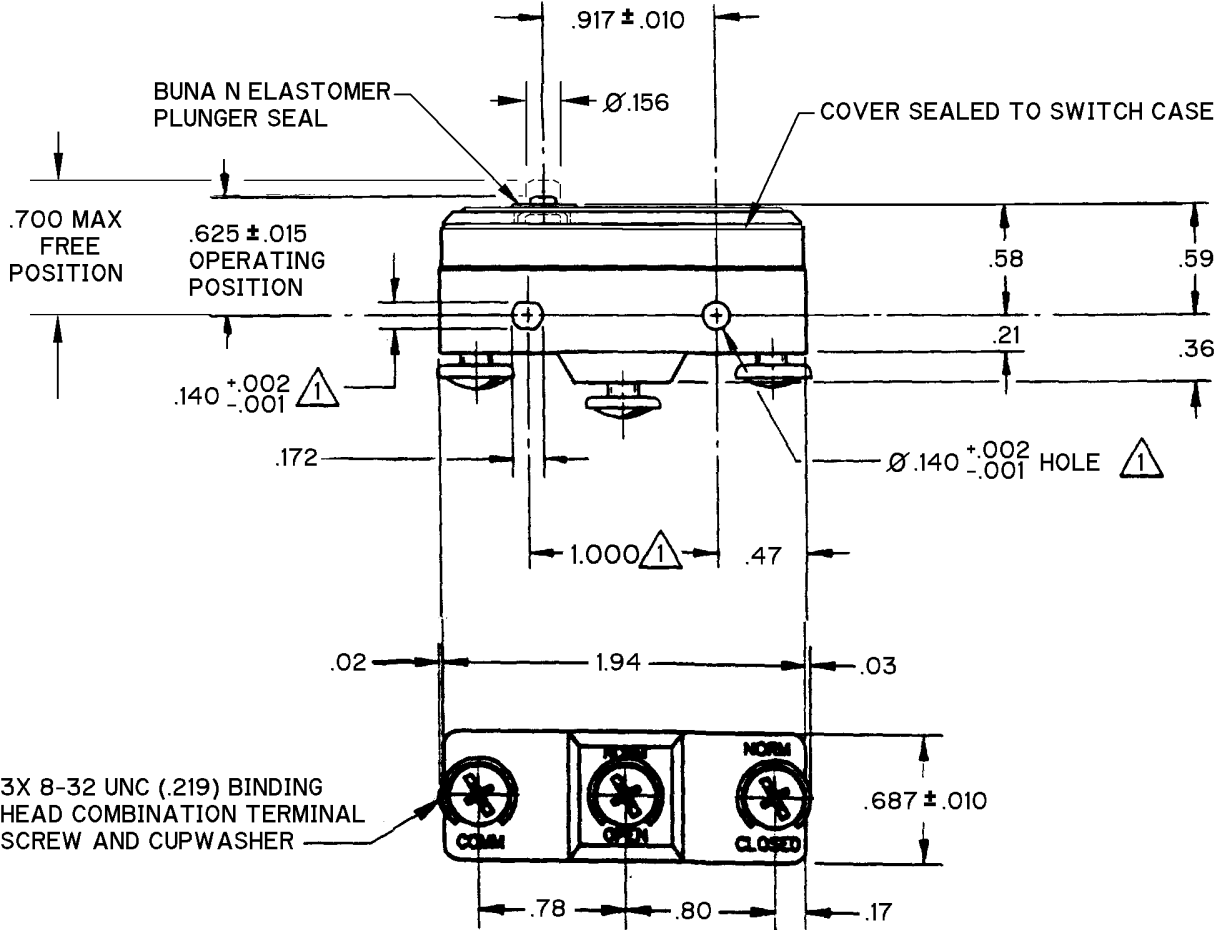
CHECK J A F

30 JUN 98

CHECK

J A S

RASTER



NOTE
 1 MOUNTING HOLES WILL ACCEPT PINS OR SCREWS OF Ø.139 MAX ON 1.000 ± .002 CENTERS

ANSI Y14.5M-1982 APPLIES

THIS DRAWING COVERS A PROPRIETARY ITEM AND IS THE PROPERTY OF MICRO SWITCH, A DIVISION OF HONEYWELL. THIS DRAWING IS NOT TO BE COPIED OR USED WITHOUT THE APPROVAL OF MICRO SWITCH.

THIRD ANGLE PROJECTION

CHARACTERISTICS	ELECTRICAL DATA	SCALE FULL																					
OPERATING FORCE ----- 15 - 25 OZ	CONTACT ARRANGEMENT S P D T	DO NOT SCALE PRINT																					
RELEASE FORCE ----- 8 OZ MIN	L167	TOLERANCES APPLY TO DESIGN UNITS. CONVERSIONS ARE ONLY FOR REFERENCE. UNLESS NOTED, TOLERANCES ARE ±																					
DIFFERENTIAL TRAVEL ----- .003 MAX	22A 125, 250 OR 277 VAC	<table border="1"> <tr> <th>NO PLACES</th> <th>ONE PLACE</th> <th>TWO PLACES</th> <th>THREE PLACES</th> <th>ANGLES</th> <th>SI METRIC</th> <th>US CUSTOMARY</th> </tr> <tr> <td>X</td> <td>X,X</td> <td>X,XX</td> <td>X,XXX</td> <td>X,XXX</td> <td><input type="checkbox"/></td> <td><input checked="" type="checkbox"/></td> </tr> <tr> <td></td> <td></td> <td></td> <td></td> <td></td> <td></td> <td></td> </tr> </table>	NO PLACES	ONE PLACE	TWO PLACES	THREE PLACES	ANGLES	SI METRIC	US CUSTOMARY	X	X,X	X,XX	X,XXX	X,XXX	<input type="checkbox"/>	<input checked="" type="checkbox"/>							
NO PLACES	ONE PLACE	TWO PLACES	THREE PLACES	ANGLES	SI METRIC	US CUSTOMARY																	
X	X,X	X,XX	X,XXX	X,XXX	<input type="checkbox"/>	<input checked="" type="checkbox"/>																	
OVERTRAVEL ----- .005 MIN	3/4 HP 125 VAC. 1 1/2 HP 250 VAC	DESIGN UNITS <input type="checkbox"/> SI METRIC <input checked="" type="checkbox"/>																					
L288		WEIGHT .050 LB																					
L315	22A 250V ~ T85 5E4																						
L318																							