

# MICRO SWITCH

FREERPORT ILLINOIS, U.S.A  
A DIVISION OF HONEYWELL  
FED. MFG. CODE 91929

# SWITCH-BASIC

CATALOG LISTING

BZ-2RW855051-A2-S

AQA2700

BZ-2RW855051-A2-S

PAGE 1 OF 1

REPLACES X74679-BZ

RELEASE NO. PR-11405

DRAWING NUMBER

ISSUE

5

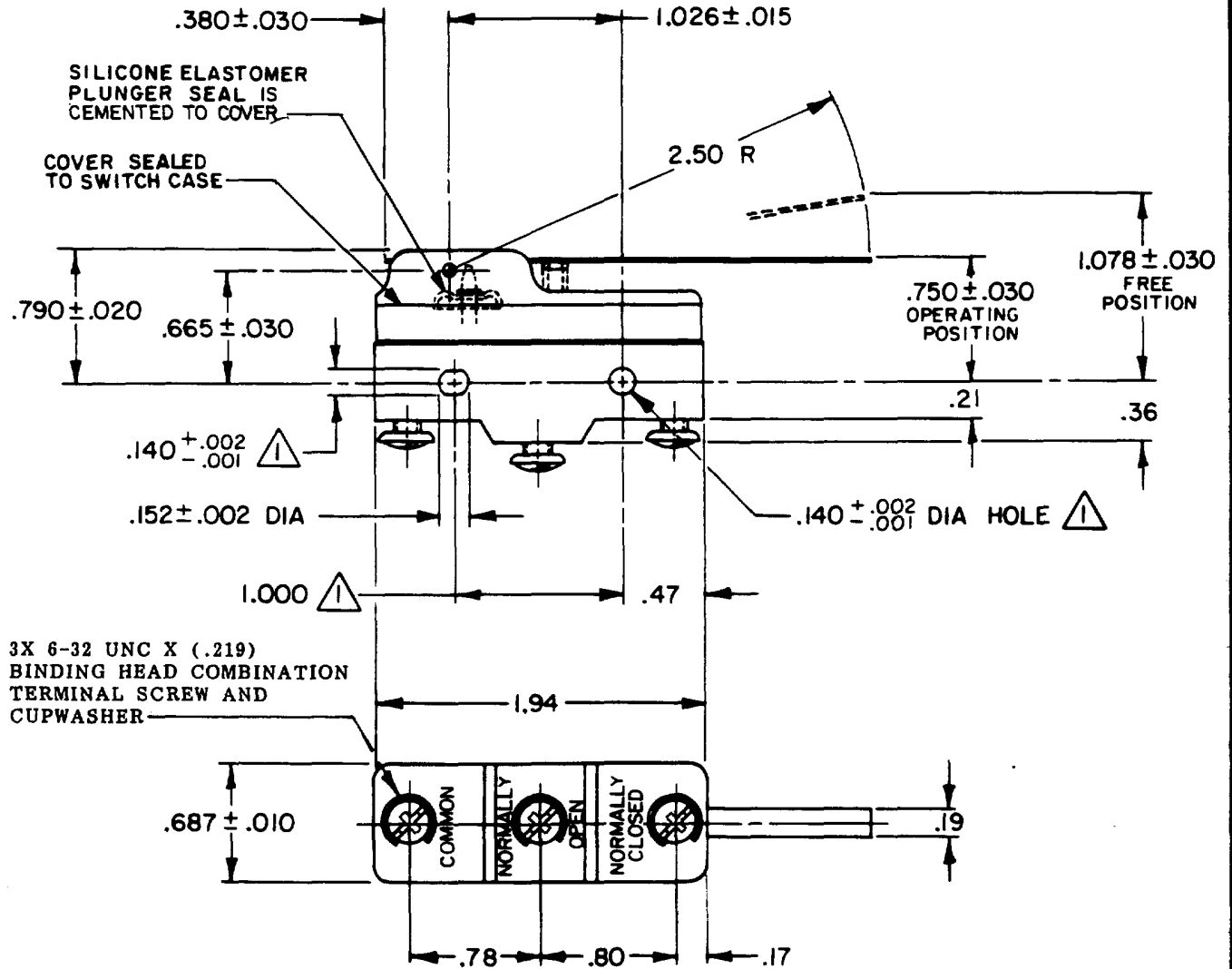
REVISIONS

A	C067209	J A P	09 JAN 06
B	73247-1	J A L	22 NOV 93
C	C093346	DLT	17 SEP 98
D	0017580	TSG	09 JAN 06

CHECK

RJ

CHECK

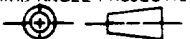


NOTES

- 1 MOUNTING HOLES WILL ACCEPT PINS OR SCREWS OF .139 MAX DIA ON 1.000 ± .002 CENTERS
- 2 - SEALED CONSTRUCTION PROVIDES SPLASH RESISTANCE

THIS DRAWING COVERS A PROPRIETARY ITEM AND IS THE PROPERTY OF MICRO SWITCH, A DIVISION OF HONEYWELL. THIS DRAWING IS NOT TO BE COPIED OR USED WITHOUT THE APPROVAL OF MICRO SWITCH.

THIRD ANGLE PROJECTION



CHARACTERISTICS

OPERATING FORCE --- 2 1/2 OZ MAX  
RELEASE FORCE --- 1/2 OZ MIN  
DIFFERENTIAL TRAVEL --- .007-.050  
OVERTRAVEL --- .219 MIN

ELECTRICAL DATA

CONTACT ARRANGEMENT  
S P D T  
L96 15A-125, 250 OR 480 VAC  
1/8 HP-125 VAC; 1/4 HP-250 VAC  
1/2 A-125 VDC; 1/4 A-250 VDC  
L288  
L306  
L315  
16A 250V ~ T85 5E4

SCALE FULL

DO NOT SCALE PRINT

TOLERANCES  
APPLY TO DESIGN UNITS. CONVERSIONS ARE ONLY FOR REFERENCE. UNLESS NOTED, TOLERANCES ARE:

	DES.	TOL.	DES.	TOL.
	mm	mm/in	in	mm/in
NO PLACES	±	17.84	±	0.01/05
ONE PLACE	± .X	0.47/016	± .XX	0.387/015
TWO PLACES	± .XX	0.167/008	± .XXX	0.157/009
THREE PLACES				

DESIGN UNITS  METRIC  US CUSTOMARY

WEIGHT .076 LB

FORMTEK

FO-52848-A

DRAWN

T.M.M 23 JUL 82 CHECK L.D.C. 8/22/06