

MICRO SWITCH

FREEPORT ILLINOIS, U.S.A
A DIVISION OF HONEYWELL
FED. MFG. CODE 91929

SWITCH - BASIC

CATALOG LISTING
BZ-2RQ172-A2

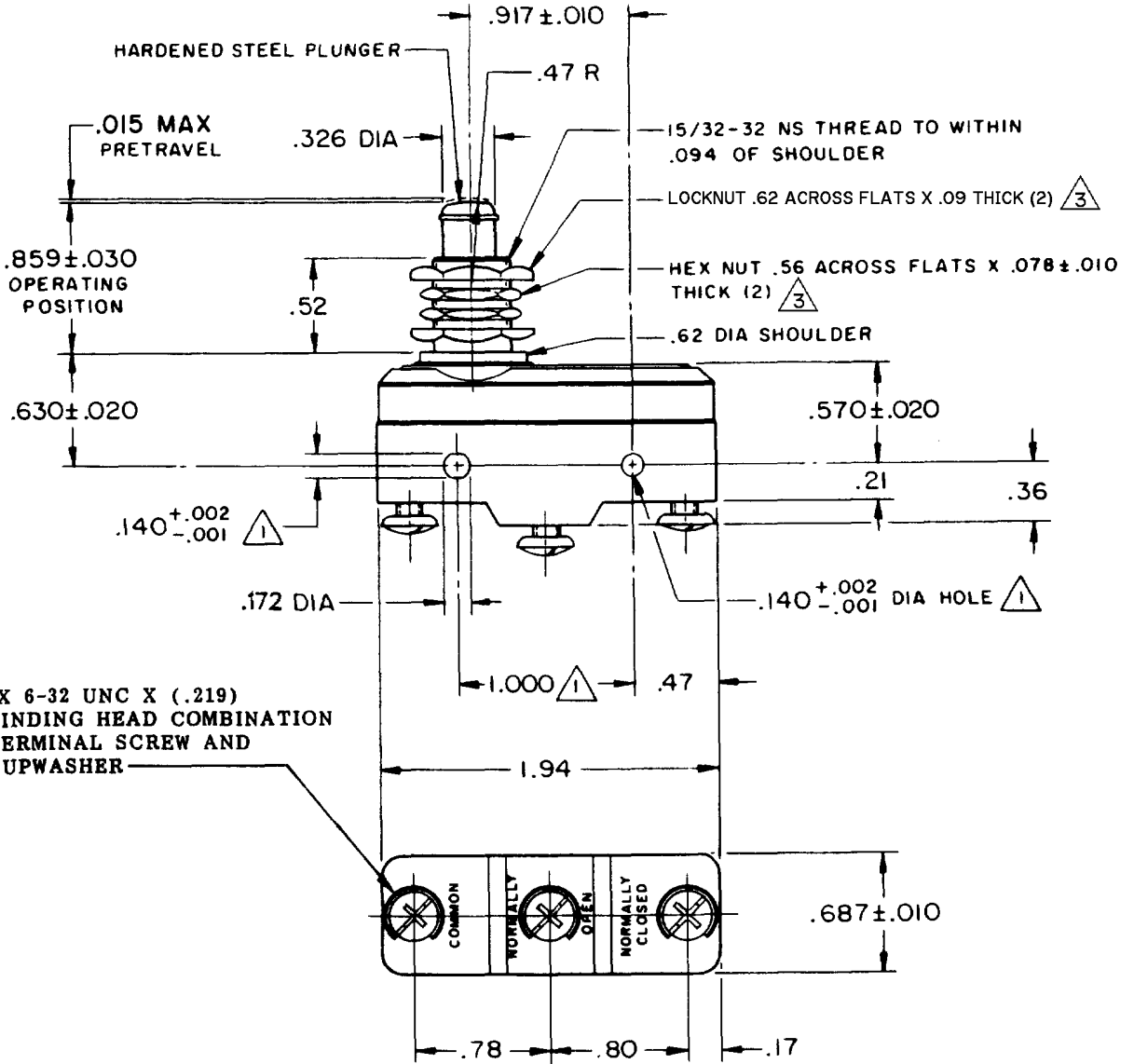
ALK4300

BZ-2RQ172-A2
PAGE 1 OF 1
REPLACES
RELEASE NO. PR-1024

M
DRAWING NUMBER
7
ISSUE
RJ
07OCT05

REVISIONS	
A	0031576 JAN 23 JAN 79
B	CO-73287-J JAN 22 NOV 93
C	CO-77589 KDR 29 MAR 94
D	CO-82133 CSL 31 JUL 96
E	CO93346 DLT 19 AUG 98
F	0015540 KSR 07OCT05

0-50378-1A
DRAWN
GCH
15 DEC 69
CHECK
LSD
17 DEC 69



3X 6-32 UNC X (.219)
BINDING HEAD COMBINATION
TERMINAL SCREW AND
CUPWASHER

- NOTES
- ① MOUNTING HOLES WILL ACCEPT PINS OR SCREWS OF .139 MAX DIA ON 1.000 ± .002 CENTERS
 - ② CONTACT MATERIAL - GOLD ALLOY
 - ③ HARDWARE FURNISHED UNASSEMBLED

THIS DRAWING COVERS A PROPRIETARY ITEM AND IS THE PROPERTY OF MICRO SWITCH, A DIVISION OF HONEYWELL. THIS DRAWING IS NOT TO BE COPIED OR USED WITHOUT THE APPROVAL OF MICRO SWITCH.

CHARACTERISTICS
OPERATING FORCE ----- 9 - 13 OZ
RELEASE FORCE ----- 4 OZ MIN
DIFFERENTIAL TRAVEL ----- .0004 - .0020
OVERTRAVEL ----- .219 MIN

ELECTRICAL DATA	
CONTACT ARRANGEMENT S P D T	
-L22-	1A - 125 VAC
-L288-	
-L315-	
-L307-	
1A 250V ~ T85 25E3	

SCALE FULL
DO NOT SCALE PRINT
UNLESS OTHERWISE NOTED
DIMENSIONS ARE IN INCHES
TOLERANCES ARE:
ONE PLACE (.0) ± .030
TWO PLACE (.00) ± .015
THREE PLACE (.000) ± .005
ANGLES ±
WEIGHT .094 LB