

MICRO SWITCH

FREERPORT ILLINOIS, U.S.A
A DIVISION OF HONEYWELL
FED. MFG. CODE 91929

SWITCH-BASIC

CATALOG LISTING

BZ-2RW8055513-A2

S

BZ-2RW8055513-A2

PAGE 1 OF 1

REPLACES X72360-BZ

RELEASE NO. PR-10604

DRAWING NUMBER

ISSUE 7

REVISIONS

A	CO-51437	KAG	2 JUN 82
B	C067209	JAP	3 MAY 90
C	CO 71464	JWB	8 NOV 91
D	CO 73287-E	DHD	8 OCT 93
E	CO-77589	MAM	29 MAR 94
F	C093346	DLT	17 SEP 98

CHECK

CHECK

CHECK

CHECK

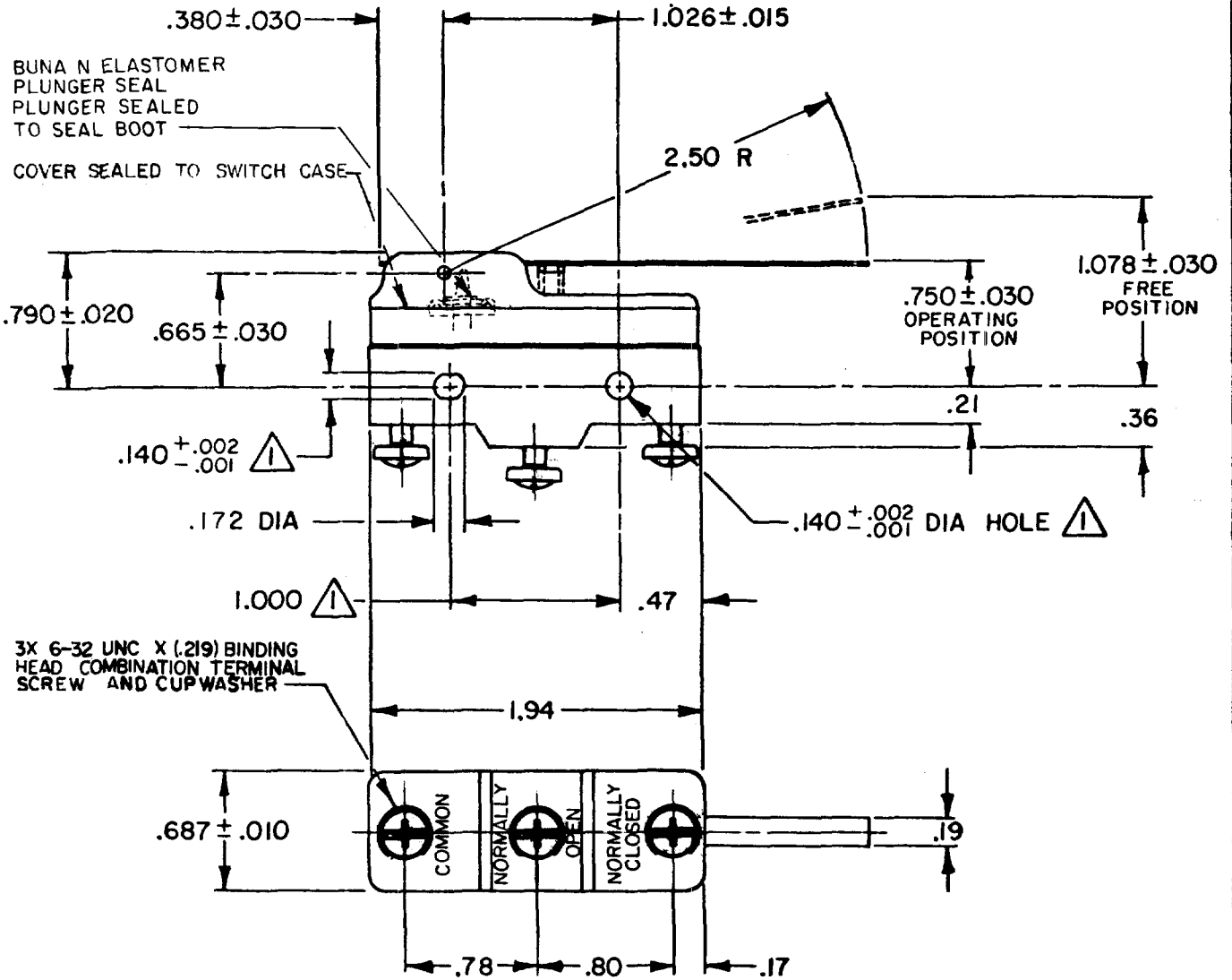
CHECK

CHECK

CHECK

CHECK

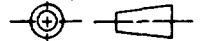
CHECK



- NOTES
- 1 MOUNTING HOLES WILL ACCEPT PINS OR SCREWS OF .139 MAX DIA ON 1.000±.002 CENTERS
 - 2 - SEALED CONSTRUCTION PROVIDES SPLASH RESISTANCE

THIS DRAWING COVERS A PROPRIETARY ITEM AND IS THE PROPERTY OF MICRO SWITCH, A DIVISION OF HONEYWELL. THIS DRAWING IS NOT TO BE COPIED OR USED WITHOUT THE APPROVAL OF MICRO SWITCH.

THIRD ANGLE PROJECTION



CHARACTERISTICS

OPERATING FORCE --- 2 1/2 OZ MAX
RELEASE FORCE --- 1/2 OZ MIN
DIFFERENTIAL TRAVEL --- .007-.050
OVERTRAVEL --- -.219 MIN

ELECTRICAL DATA

CONTACT ARRANGEMENT
S P D T
L98
15A 125, 250 OR 480 VAC
1/8 HP 125 VAC, 1/4 HP 250 VAC
1/2A 125 VDC, 1/4A 250 VDC

L288
L299
L306



16A 250V ~ T85 5E4

SCALE FULL

DO NOT SCALE PRINT

TOLERANCES
APPLY TO DESIGN UNITS. CONVERSIONS ARE ONLY FOR REFERENCE. UNLESS NOTED, TOLERANCES ARE ±

	DIM. mm	TOL. mm/in	DIM. in	TOL. in/in
NO PLACES	X	1/64	X	0.0150
ONE PLACE	X.X	0.4/.016	X.X	0.0150
TWO PLACES	X.XX	0.16/.006	X.XX	0.0075
THREE PLACES	X.XXX	0.13/.006	X.XXX	0.0075

DESIGN UNITS SI METRIC US CUSTOMARY

WEIGHT .073 LB

FORMTEK

FO-52848-A

DRAWN

7 OCT 81

EF