

MICRO SWITCH

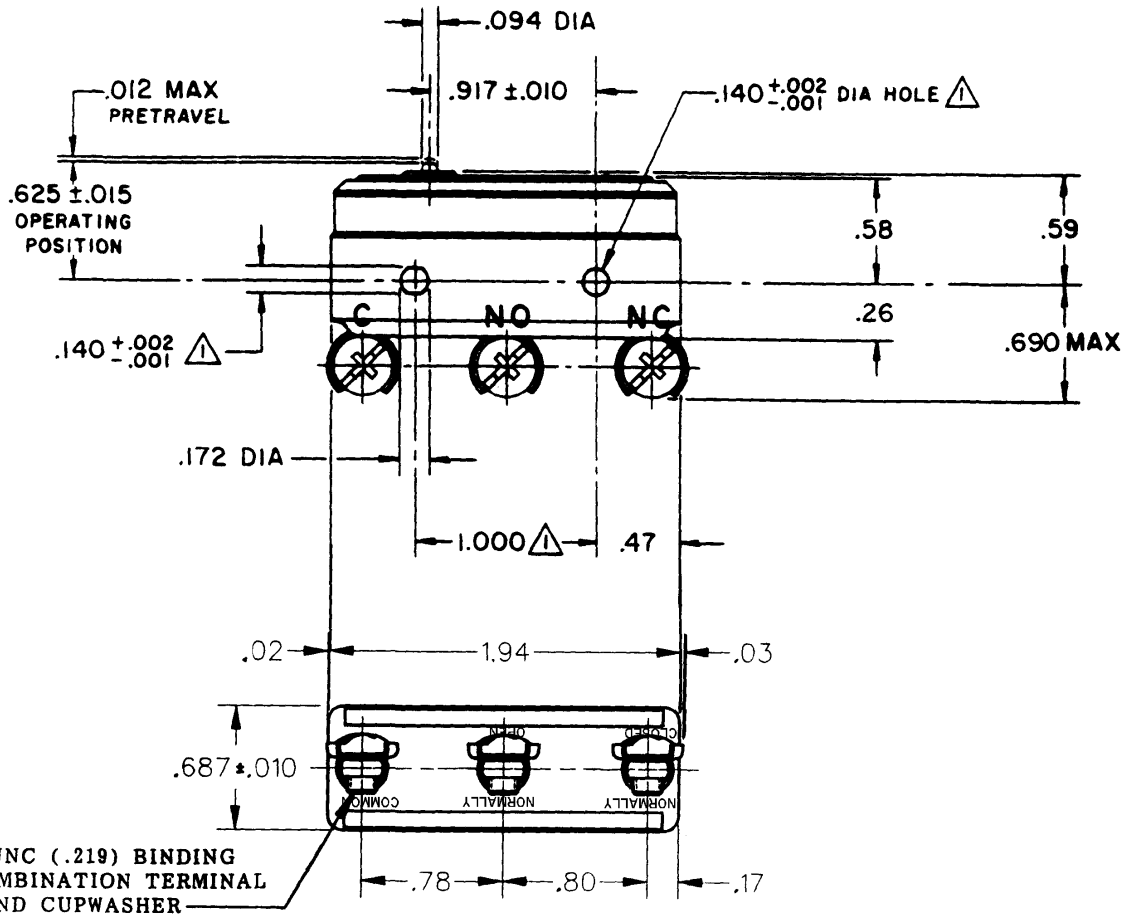
FREEPORT ILLINOIS, U.S.A.
A DIVISION OF HONEYWELL
FED. MFG. CODE 91929

SWITCH-BASIC

CATALOG LISTING

BZ-R330-P4

CATALOG LISTING
 BZ-R330-P4
 PAGE 1 OF 1
 ISSUE M
 5
 REVISIONS
 A CO-73287-G JAS 20 OCT 93
 B CO-75367B KDR 3 MAR 94
 C CO-77863 GJW 1 MAY 96
 D CO92984 JAS 27 MAY 98
 CHECK ZIAPR87
 FORMTEK
 DRAWN TSK 20 APR 87
 REPLACES PR-15563
 CHECK ZIAPR87

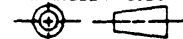


3X 8-32 UNC (.219) BINDING HEAD COMBINATION TERMINAL SCREW AND CUPWASHER

NOTE
 MOUNTING HOLES WILL ACCEPT PINS OR SCREWS OF .139 MAX DIA ON 1.000 ± .002 CENTERS

THIS DRAWING COVERS A PROPRIETARY ITEM AND IS THE PROPERTY OF MICRO SWITCH, A DIVISION OF HONEYWELL. THIS DRAWING IS NOT TO BE COPIED OR USED WITHOUT THE APPROVAL OF MICRO SWITCH.

THIRD ANGLE PROJECTION



CHARACTERISTICS	
OPERATING FORCE	7-10 OZ
DIFFERENTIAL FORCE	1/2-1 1/4 OZ
DIFFERENTIAL TRAVEL	.0005 MAX
OVERTRAVEL	.005 MIN

ELECTRICAL DATA	
CONTACT ARRANGEMENT S P D T	
15A 125, 250 OR 480 VAC 1/8HP 125, 1/4HP 250 VAC	
L103	
FIG. 103	

SCALE FULL			
DO NOT SCALE PRINT			
TOLERANCES			
APPLY TO DESIGN UNITS. CONVERSIONS ARE ONLY FOR REFERENCE. UNLESS NOTED, TOLERANCES ARE:			
	DIM.	TOL.	DIM.
	mm	mm/in	in
NO PLACES	X	1/32	X
ONE PLACE	X.X	0.015	X.X
TWO PLACES	X.XX	0.005	X.XX
THREE PLACES	X.XXX	0.001	X.XXX
ANGLES			
DESIGN UNITS		US CUSTOMARY	
SI METRIC <input type="checkbox"/>		US CUSTOMARY <input checked="" type="checkbox"/>	
WEIGHT .074 LB			

