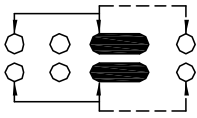
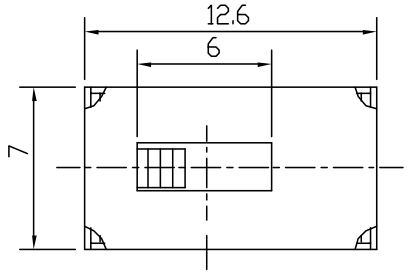
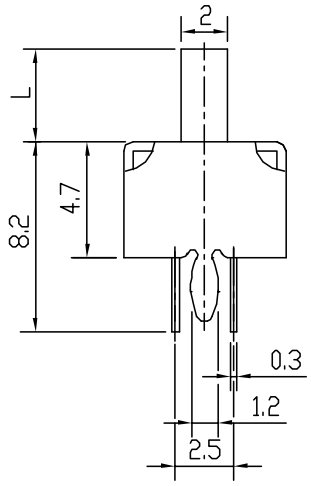
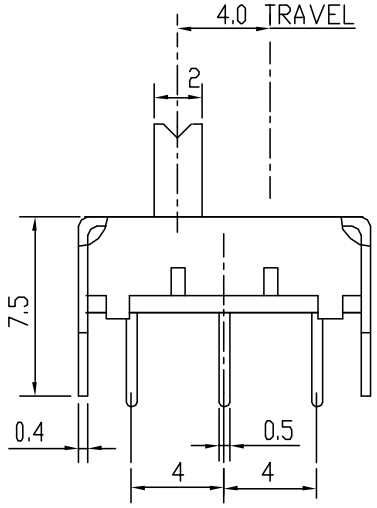


DWG. NO. SW-1783-A REV. 'A'

PART NO: SS-2205 SERIES



SCHEMATIC



SPECIFICATION:

1. RATING:
DC 50V, 0.5A.
2. DIELECTRIC STRENGTH:
500V AC / 60Hz FOR 1 MINUTE
3. INITIAL INSULATION RESISTANCE:
100MΩ MIN AT DC 500V
AFTER TESTING 50MΩ MIN
4. CONTACT RESISTANCE:
BEFORE TESTING 80mΩ MAX.
AFTER TESTING 100mΩ MAX.
5. OPERATING TEMPERATURE RANGE:
-10°C TO 50°C
6. OPERATING FORCE:
200±10gf
7. LIFE TEST:
10,000 CYCLES OF UNLOADING.
(20~25 CYCLES/MINUTE) UNLOAD.
CHANGE OF SWITCHING TENSION±20%gf.
8. SOLDERING CONDITION:
MOLTEN SOLDER 250°C±50°C
(5±1 SECONDS).

P/N	KNOB LENGTH L
SS-2205	2
SS-2205A	4
SS-2205B	6

ALL DIMS ARE IN MM.

PROJECTION		Research Develop Innovate <small>RDI, Inc. 400 Columbus Avenue Valhalla, NY 10595</small>	
		TITLE SLIDE SWITCH	
SCALE NONE		DR. JOEY	DATE 3/30/04
TOLERANCE EXCEPT AS NOTED		REF. P/N: SS-2205 SERIES	
DEC. INCHES N/A	CK. JOEY	PRE-SW	DRAWING NO. 1783
DEC. MILLIMETERS ±0.3	ANG. ±3°	SIZE A	REV. A

ECN#	DATE	SYM	REVISION RECORD	AUTH	BY
04-506	7/8/04	A	P/N SS-2205 SERIES WAS SS-2205B, UPDATED AS PER CURRENT PART CONFIGURATION.	BM	JY

THIS DOCUMENT IS OWNED BY, AND THE INFORMATION CONTAINED IN IT IS PROPRIETARY TO, RDI, BY RECEIPT HEREOF THE HOLDER AGREES NOT TO USE THE INFORMATION AND NOT TO DISCLOSE IT TO ANY THIRD PARTY, NOR REPRODUCE THIS DOCUMENT WITHOUT THE WRITTEN CONSENT OF RDI, AND AGREES TO RETURN THIS DOCUMENT FORTHWITH UPON REQUEST.