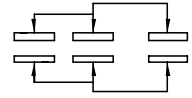
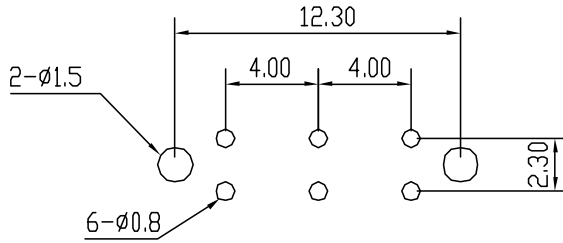
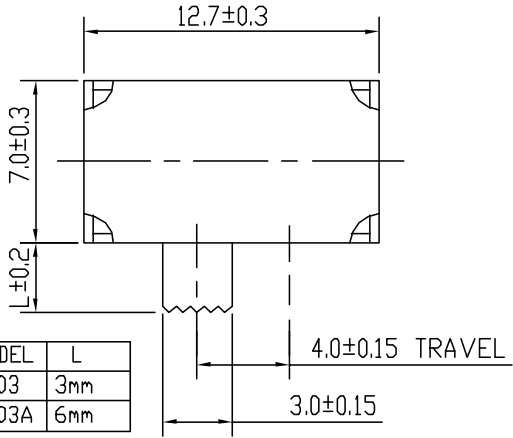


DWG. NO. SW-0990-A REV. 'A'

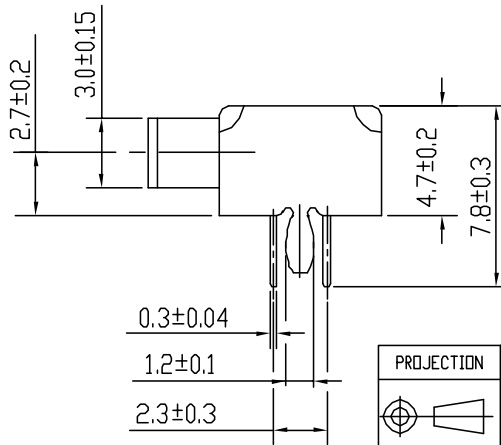
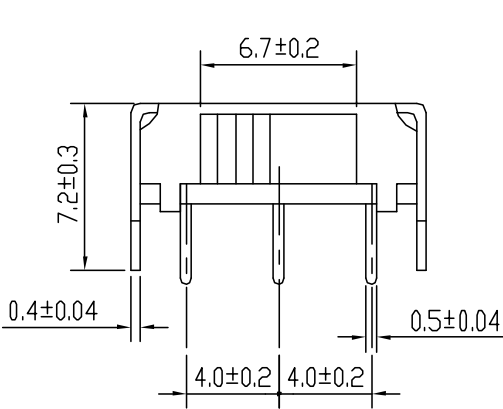
PART NO: SS-2203□



MODEL	L
2203	3mm
2203A	6mm

P.C.B LAYOUT

SCHEMATIC



SPECIFICATIONS:

CIRCUIT: DPDT
 OPERATING FORCE: 200±50gf
 TIMING: NON-SHORTING
 HOUSING: POLYCARBONATE
 SOLDERING TEMP.: 260±5°C

NOTE:
 ALL DIMS ARE GIVEN IN MM.

PROJECTION				Research Develop Innovate	
		RD1, Inc. 400 Columbus Avenue Valhalla, NY 10595			
SCALE	NONE	TITLE SLIDE SWITCH			
TOLERANCE EXCEPT AS NOTED	DR. JOEY	DATE 12/2/02	REF.	P/N: SS-2203□	
DEC. INCHES	N/A	CK. S.L.	PRE-SW	DRAWING NO. 0990	SIZE A
DEC. MILLIMETERS	±0.2	REV. A			
ANG.	±1°	THIS DOCUMENT IS OWNED BY, AND THE INFORMATION CONTAINED IN IT IS PROPRIETARY TO, RDI, BY RECEIPT HEREOF THE HOLDER AGREES NOT TO USE THE INFORMATION AND NOT TO DISCLOSE IT TO ANY THIRD PARTY, NOR REPRODUCE THIS DOCUMENT WITHOUT THE WRITTEN CONSENT OF RDI, AND AGREES TO RETURN THIS DOCUMENT FORTHWITH UPON REQUEST.			

ECN#	DATE	SYM	REVISION RECORD	AUTH	BY
03-157	2/24/03	A	ADDED MAT'L & SOLDERING TEMP.	BM	JY