

CD Series 8mm DIP Coded Rotary Switches



DIP

Features/Benefits

- **Process sealed – withstands soldering and cleaning**
- **Thru-hole and surface mount models**
- **Compact size saves space – 36% smaller than traditional 10mm DIP**
- **Crisp, positive detent ensures actuation**
- **RoHS compliant**

Typical Applications

- **Address switching applications**
- **Data storage devices**
- **Computer and peripherals**
- **Instrumentation**



Specifications

CONTACT RATING: 0.4 VA max. @ 20 V AC or V DC max.

MECHANICAL AND ELECTRICAL LIFE:

CD10 & CD16: 20,000 actuations.

CD08: 12,000 actuations.

CONTACT RESISTANCE: 50 milliohms max. initial.

INSULATION RESISTANCE: 100 megohms min.

@ 250 V AC min.

DIELECTRIC STRENGTH: 250 V RMS min. @ sea level.

OPERATING TEMPERATURE: -25°C to 85°C.

STORAGE TEMPERATURE: -40°C to 85°C.

SOLDERABILITY: Per MIL-STD-202F method 208D or EIA RS-186E, method 9 (1 hour steam aging).

PACKAGING: Switches supplied in rigid tubes in full-tube quantities only: this may affect order quantity. Surface mount switches available in tape & reel packaging per EIA 481A, 800 per reel, "MO" actuator only.

Materials

COVER: PPS (UL94V-0), Color; Black.

BASE: PPS (UL94V-0), Color; Black

ACTUATOR: LCP (UL 94V-0), Color White (CDXXR)
Color Black (CDXXC)

Note: internal o-ring seal standard with all actuators.

KNOB: Glass filled nylon, flame retardant (UL 94V-0).

MOVABLE CONTACTS: Copper alloy with gold plate over nickel plate.

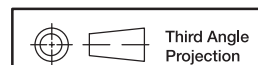
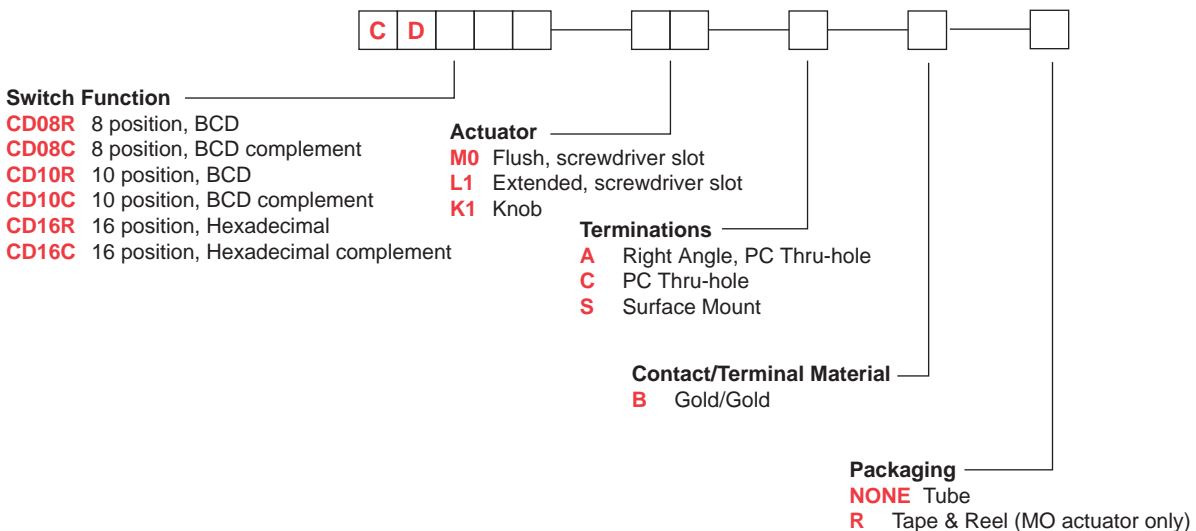
STATIONARY CONTACTS: Copper alloy with gold plate over nickel plate.

TERMINALS: Copper alloy with gold plate over nickel plate.

Note: Specifications and materials listed above are for switches with standard options. For information on specific and custom switches, consult Customer Service Center.

How To Order

Our easy Build-A Switch concept allows you to mix and match options to create the switch you need. Below is a complete listing of options shown in catalog. To order, simply select desired option from each category and place in the appropriate box.



Dimensions are shown: Inch (mm)
Specifications and dimensions subject to change

CD Series 8mm DIP Coded Rotary Switches

SWITCH FUNCTION

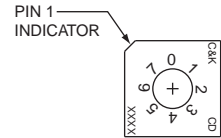


CD08R 8 POSITION, BCD
ACTUATOR COLOR: WHITE

CD08C 8 POSITION, BCD COMPLEMENT
ACTUATOR COLOR: BLACK

| POS. | 0 | 1 | 2 | 3 | 4 | 5 | 6 | 7 |
|------|---|---|---|---|---|---|---|---|
| C | ● | ● | ● | ● | ● | ● | ● | ● |
| 1 | | ● | | ● | | ● | | ● |
| 2 | | | ● | ● | | | ● | |
| 4 | | | | | ● | ● | ● | ● |
| 8 | | | | | | | | |

| POS. | 0 | 1 | 2 | 3 | 4 | 5 | 6 | 7 |
|------|---|---|---|---|---|---|---|---|
| C | ● | ● | ● | ● | ● | ● | ● | ● |
| 1 | ● | | | | ● | | ● | |
| 2 | ● | | | | | ● | | |
| 4 | ● | ● | ● | ● | | | | |
| 8 | ● | ● | ● | ● | ● | ● | ● | ● |



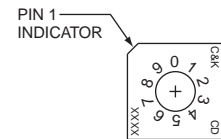
DIP

CD10R 10 POSITION, BCD
ACTUATOR COLOR: WHITE

CD10C 10 POSITION, BCD COMPLEMENT
ACTUATOR COLOR: BLACK

| POS. | 0 | 1 | 2 | 3 | 4 | 5 | 6 | 7 | 8 | 9 |
|------|---|---|---|---|---|---|---|---|---|---|
| C | ● | ● | ● | ● | ● | ● | ● | ● | ● | ● |
| 1 | | ● | | | ● | | ● | | ● | |
| 2 | | | ● | ● | | | | ● | | ● |
| 4 | | | | | ● | ● | ● | ● | | |
| 8 | | | | | | | | | ● | ● |

| POS. | 0 | 1 | 2 | 3 | 4 | 5 | 6 | 7 | 8 | 9 |
|------|---|---|---|---|---|---|---|---|---|---|
| C | ● | ● | ● | ● | ● | ● | ● | ● | ● | ● |
| 1 | ● | | | | ● | | ● | | ● | |
| 2 | ● | | | | | ● | | | ● | ● |
| 4 | ● | ● | ● | ● | | | | | ● | ● |
| 8 | ● | ● | ● | ● | ● | ● | ● | ● | | |

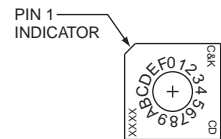


CD16R 16 POSITION, HEXADECIMAL
ACTUATOR COLOR: WHITE

CD16C 16 POSITION, HEXADECIMAL COMPLEMENT
ACTUATOR COLOR: BLACK

| POS. | 0 | 1 | 2 | 3 | 4 | 5 | 6 | 7 | 8 | 9 | A | B | C | D | E | F |
|------|---|---|---|---|---|---|---|---|---|---|---|---|---|---|---|---|
| C | ● | ● | ● | ● | ● | ● | ● | ● | ● | ● | ● | ● | ● | ● | ● | ● |
| 1 | | ● | | ● | | ● | | ● | | ● | | ● | | ● | | ● |
| 2 | | | ● | ● | | | ● | | | | ● | ● | | ● | | ● |
| 4 | | | | | ● | ● | ● | ● | | | | | ● | ● | ● | ● |
| 8 | | | | | | | | | ● | ● | ● | ● | ● | ● | ● | ● |

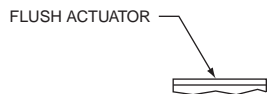
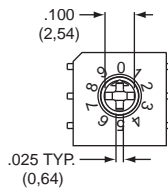
| POS. | 0 | 1 | 2 | 3 | 4 | 5 | 6 | 7 | 8 | 9 | A | B | C | D | E | F |
|------|---|---|---|---|---|---|---|---|---|---|---|---|---|---|---|---|
| C | ● | ● | ● | ● | ● | ● | ● | ● | ● | ● | ● | ● | ● | ● | ● | ● |
| 1 | ● | | | | ● | | ● | | ● | | ● | | ● | | ● | |
| 2 | ● | | | | | ● | | | ● | | | ● | | ● | | ● |
| 4 | ● | ● | ● | ● | | | | | ● | ● | ● | ● | | | | |
| 8 | ● | ● | ● | ● | ● | ● | ● | ● | | | | | ● | ● | ● | ● |



ACTUATOR

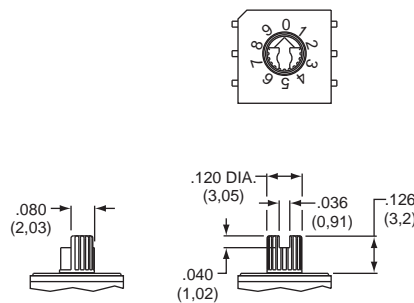


M0 (STD.) FLUSH WITH SCREWDRIVER SLOT

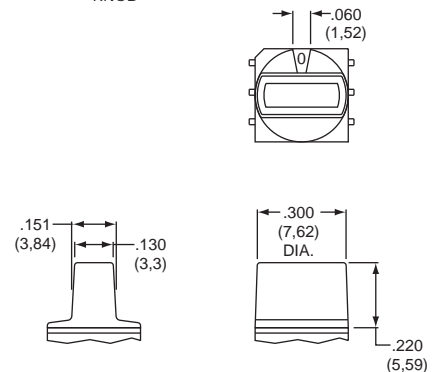


NOTE: Designed for #0 Phillips screwdriver.

L1 EXTENDED WITH SCREWDRIVER SLOT



K1 KNOB



Dimensions are shown: Inch (mm)
Specifications and dimensions subject to change

CD Series 8mm DIP Coded Rotary Switches

CONTACT MATERIAL

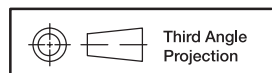
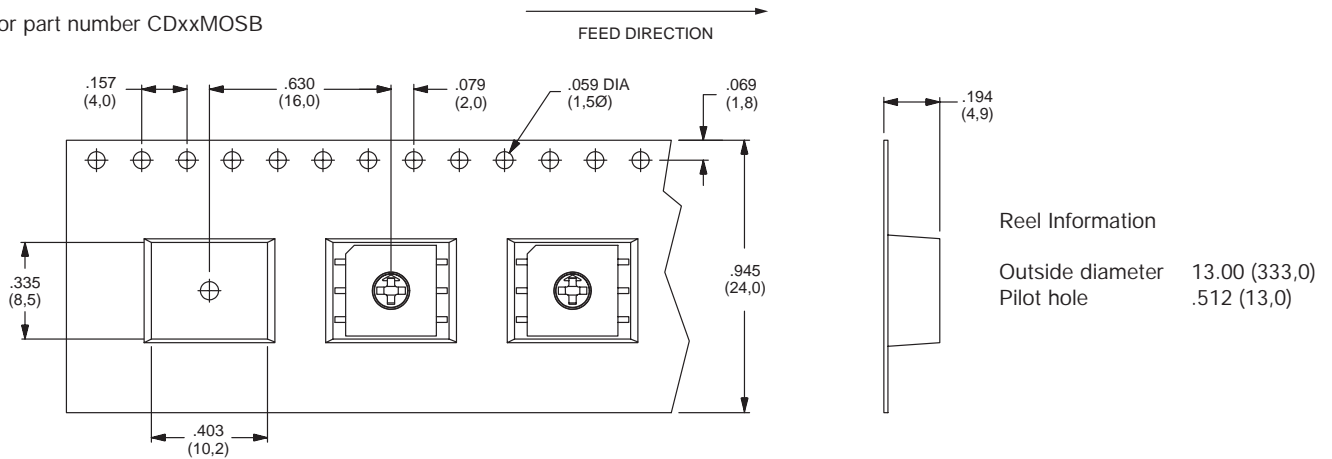


| OPTION CODE | RoHS COMPLIANT* | RoHS COMPATIBLE* | CONTACT MATERIAL | TERMINAL PLATING | RATING | |
|-------------|-----------------|------------------|------------------|------------------|-----------------------|----------------------------------|
| | | | | | LOW LEVEL/DRY CIRCUIT | 0.4 VC MAX. @ 20 V AC or DC MAX. |
| B | YES | YES | GOLD | GOLD | | |

* Note: See Technical Data section of this catalog for RoHS compliant and compatible definitions and specifications.

TAPE & REEL

For part number CDxxMOSB



Dimensions are shown: Inch (mm)
Specifications and dimensions subject to change