

*ROHS COMPLIANT

BOURNS®

Features

- Contact type: contact spring
- Variety of lever lengths
- Additional models and versions available

1543 - Push Switch

Characteristics

Switch Travel.....0.6 to 0.8 mm
 Actuating Force0.8 to 2.4 N
 Bounce Time45 μsec. max.
 Switch Function1 pole push switch
 Switch Rating24 V/0.01 A
 without inductive load
 Temperature Range-25 °C to +70 °C
 Switch Life50,000 clicks

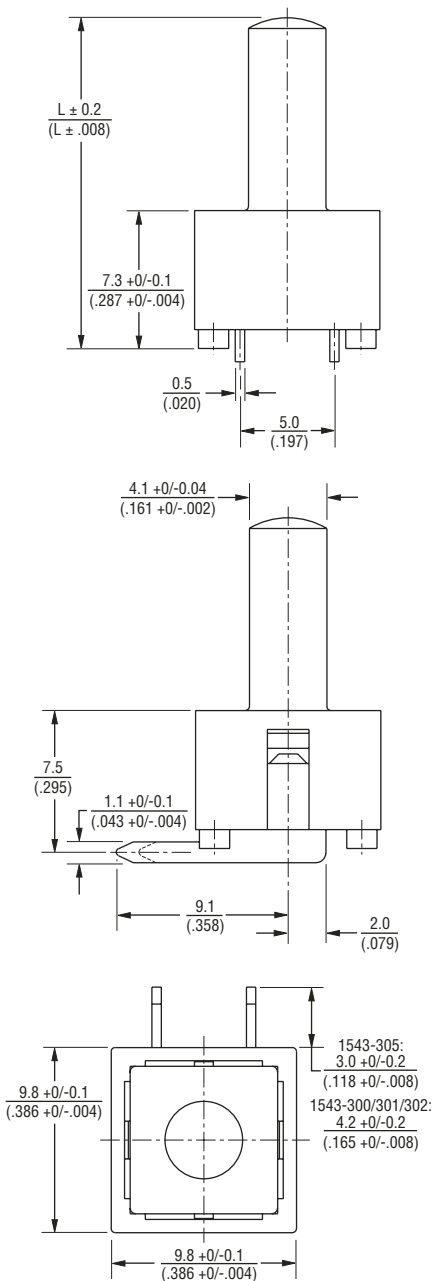
How to Order

1543 - 300 - 113

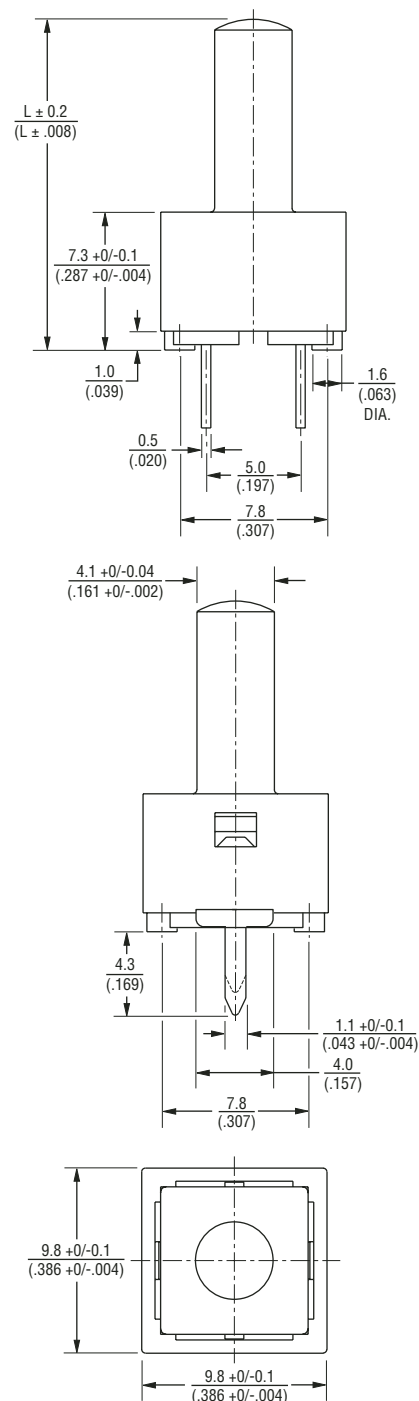
- Model Type _____
 • 1543
- Terminal & Lever Style _____
 • 300
 • 650
 Other versions available upon request.
- Lever Length _____
 113 = 11.3 mm
 130 = 13.0 mm
 135 = 13.5 mm
 149 = 14.9 mm
 185 = 18.5 mm
 200 = 20.0 mm
 Other lengths available upon request.
- Other versions available upon request.

Product Dimensions

1543-300



1543-650



DIMENSIONS ARE: $\frac{MM}{(INCHES)}$



Asia-Pacific:
 Tel: +886-2 2562-4117
 Fax: +886-2 2562-4116

Europe:
 Tel: +41-41 768 5555
 Fax: +41-41 768 5510

The Americas:
 Tel: +1-951 781-5500
 Fax: +1-951 781-5700
www.bourns.com

REV. 06/08

*RoHS Directive 2002/95/EC Jan 27 2003 including Annex
 Specifications are subject to change without notice.
 Customers should verify actual device performance in their specific applications.