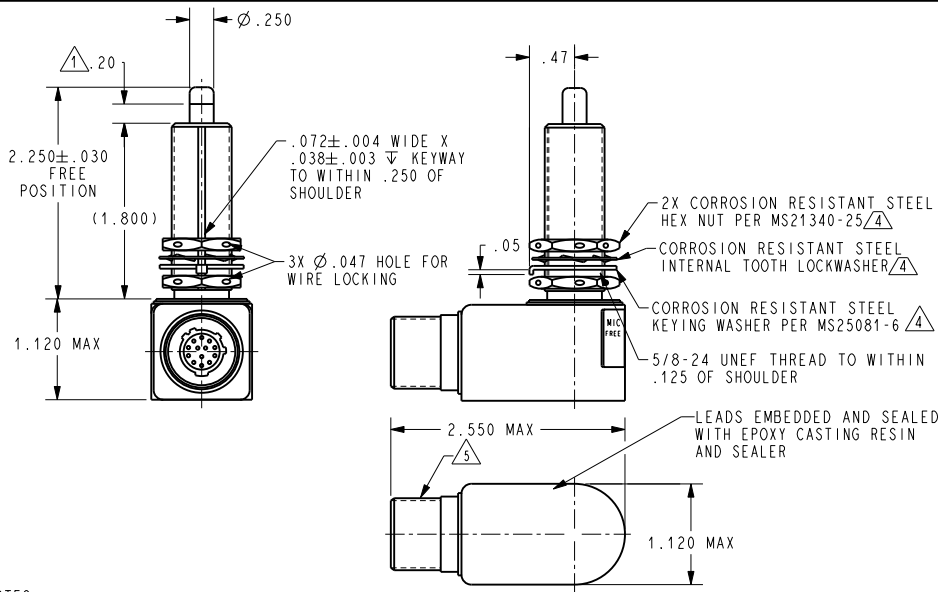
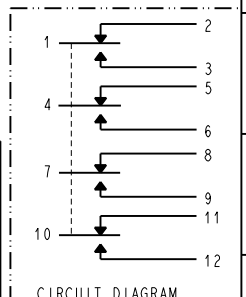


REV	DOCUMENT	CHANGED BY	CHECK
3	0001506	GLH 24SEP03	SAV



- NOTES**
- 1 VISUAL INDICATION TO SHOW PLUNGER ACTUATION
 - 2 - SWITCH SEALED PER MIL-PRF-8805 SYMBOL 4
 - 3 - CIRCUIT DIAGRAM AND CATALOG LISTING ARE SHOWN ON NAMEPLATE
 - 4 HARDWARE MAY BE PACKAGED UNASSEMBLED PER MIL-PRF-8805
 - 5 RECEPTACLE MATES WITH D38999/26WB35SN OR EQUIVALENT
 - 6 - COINCIDENCE OF OPERATING AND RELEASING POINTS: .010 OF PLUNGER TRAVEL
 - 7 - CORROSION RESISTANT STEEL BUSHING, PLUNGER AND ENCLOSURE
 - 8 - SHOCK PER MIL-PRF-8805, SYMBOL M
 - 9 - VIBRATION PER MIL-PRF-8805, GRADE 1
 - 10 - ELECTRICAL LIFE: 25,000 MINIMUM CYCLES AT RATED LOAD
 - 11 - MECHANICAL LIFE: 100,000 MINIMUM CYCLES
 - 12 - MEETS ICE BREAK REQUIREMENTS OF MIL-PRF-8805
 - 13 - TEMPERATURE RANGE: -65°F TO +185°F
 - 14 - SWITCH CLEARANCE HOLE: Ø.630
- KEYWASHER CLEARANCE HOLE: Ø.125; ▽.070 MIN; .46 CENTER SPACING

CHARACTERISTICS		ELECTRICAL DATA	
OPERATING FORCE	5 - 30 LBS	CONTACT ARRANGEMENT 4X S P D T	
ACTUATOR FORCE	30 LB MAX	LOAD	28 VDC
RELEASE FORCE	4 LB MIN		SEA LEVEL
PRETRAVEL	.040 MAX	RES	7.0 4.0
TOTAL TRAVEL	.450 MAX	IND	4.0 2.5
CLICK DISTANCE	.300-.325	MOTOR	4.0



UNLESS OTHERWISE SPECIFIED TOLERANCES ARE:	<input checked="" type="checkbox"/> US (INCH) CUSTOMARY	<input type="checkbox"/> SI (MM) METRIC
NO PLACE	X	±.040 ±1
ONE PLACE	.X	±.030 ±0.4
TWO PLACE	.XX	±.015 ±0.15
THREE PLACE	.XXX	±.005 ±
ANGLES		± 4° ±
RAW MATERIAL-COMMERCIAL STANDARD		
THIRD ANGLE PROJECTION		

DRAWN	TSM	10OCT00
CHECK	SAV	10OCT00
THIS DRAWING COVERS A PROPRIETARY ITEM AND IS THE PROPERTY OF HONEYWELL. THIS DRAWING IS NOT TO BE COPIED OR USED WITHOUT THE PERMISSION OF HONEYWELL.		
DIMENSIONS ARE TO BE MET BEFORE PROTECTIVE COATINGS ARE APPLIED		
PTC 2D	ASME Y14.5M-1994	

Honeywell			
TITLE SWITCH - ENCLOSED			
SIZE	DWG TYPE	DRAWING NAME	REV
B	I	HS-1104	3
SCALE	FULL	WEIGHT 7.0 OZ MAX	SHEET 1 OF 1