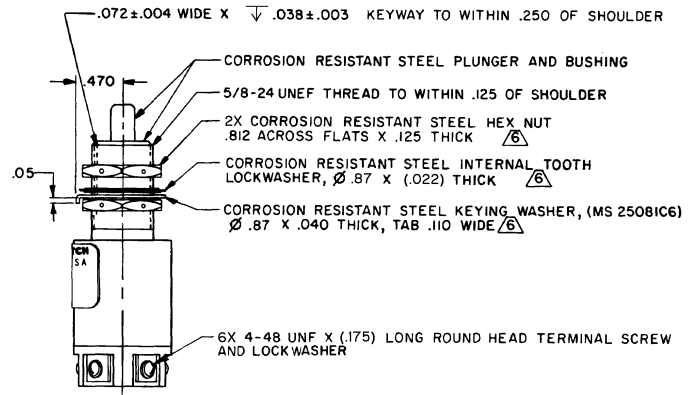
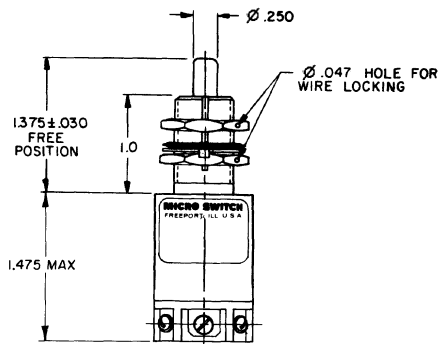
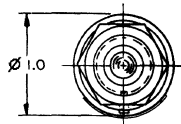
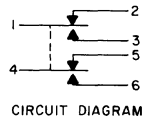


**MICRO SWITCH**  
 FREEPORT ILLINOIS U.S.A.  
 A DIVISION OF HONEYWELL  
 FED. MFG. CODE 81923

**SWITCH - ENCLOSED**

CATALOG LISTING  
**1EN1-S**



- NOTES**
- 1 - CORROSION RESISTANT STEEL ENCLOSURE
  - 2 - SWITCH SEALED PER MIL-PRF-8805, SYMBOL 4
  - 3 - CIRCUIT DIAGRAM, DATE CODE, FED. MFG. CODE AND CATALOG LISTING ARE SHOWN ON NAMEPLATE
  - 4 - TERMINAL IDENTIFICATION IS SHOWN ON BOTTOM OF SWITCH
  - 5 - COINCIDENCE OF OPERATING AND RELEASING POINTS: .010 OF PLUNGER TRAVEL
- ⚠️ HARDWARE MAY BE PACKAGED UNASSEMBLED PER MIL-PRF-8805

THIS DRAWING COVERS A PROPRIETARY ITEM AND IS THE PROPERTY OF MICRO SWITCH, A DIVISION OF HONEYWELL. THIS DRAWING IS NOT TO BE COPIED OR USED WITHOUT THE APPROVAL OF MICRO SWITCH.		THIRD ANGLE PROJECTION	THIRD ANGLE PROJECTOR
<b>CHARACTERISTICS</b>		SCALE FULL	
OPERATING FORCE -----	6-12 LB	DO NOT SCALE PRINT	
FULL OVERTRAVEL FORCE ---	30 LB MAX	UNLESS OTHERWISE SPECIFIED TOLERANCES ARE	
RELEASE FORCE -----	4 LB MIN	ONE PLACE (.01) ± .030	
PRETRAVEL -----	.040 MAX	TWO PLACE (.00) ± .015	
DIFFERENTIAL TRAVEL ---	.020 MAX	THREE PLACE (.000) ± .005	
OVERTRAVEL -----	.250 MIN	ANGLES ±	
<b>ELECTRICAL DATA</b>		WEIGHT 3.5 OZ MAX	
CONTACT ARRANGEMENT 2X S P D T		DO NOT SCALE PRINT	
LOAD	28 VDC	UNLESS OTHERWISE SPECIFIED TOLERANCES ARE	
RES	SEA LEVEL 50,000 FT.	ONE PLACE (.01) ± .030	
IND	4 4	TWO PLACE (.00) ± .015	
MOTOR	2 2	THREE PLACE (.000) ± .005	
LAMP	4	ANGLES ±	

CATALOG LISTING 1EN1-S  
 PAGE 1 OF 1  
 ISSUE 24  
 RELEASE NO. SR-5880  
 REPLACES  
 REVISIONS  
 A 44357 12 FEB 78  
 B 0047573 23 DEC 78  
 C 0047573 12 FEB 79  
 D 0074101 10 FEB 79  
 E 177504-C 12 JAN 79  
 F 2081106 12 JAN 79  
 G 0000000 12 JAN 79  
 H 0003489 12 JAN 79  
 I 0000000 12 JAN 79  
 J 0000000 12 JAN 79  
 C E B 23 DEC 78  
 DRAWN  
 CHECKED  
 ENGINEER  
 SUPERVISOR  
 INSPECTOR  
 RASTER  
 P02831-A  
 03SEP07

ANSI Y14.5M-1982 APPLIES