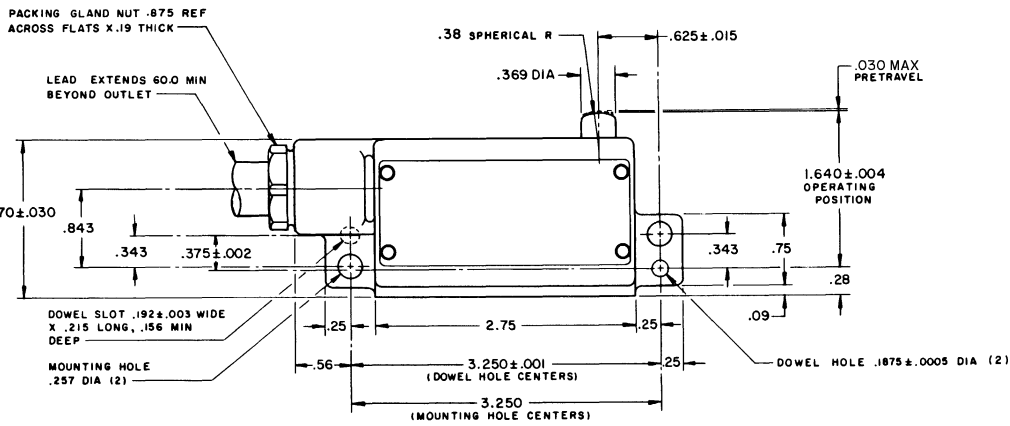
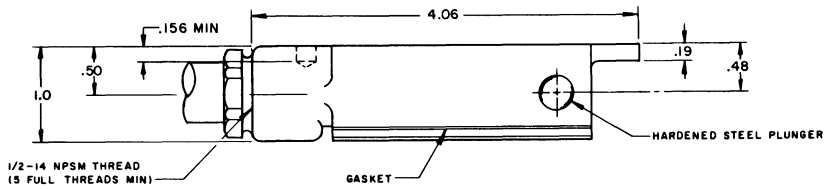


MICRO SWITCH
 FREEPORT, ILLINOIS, U.S.A.
 A DIVISION OF HONEYWELL
 FED. MFG. CODE 81928

SWITCH - ENCLOSED

CATALOG LISTING
BZLN-5-RH



THIS DRAWING COVERS A PROPRIETARY ITEM AND IS THE PROPERTY OF MICRO SWITCH, A DIVISION OF MINNEAPOLIS-HONEYWELL REGULATOR CO. THIS DRAWING IS NOT TO BE COPIED OR USED WITHOUT THE APPROVAL OF MICRO SWITCH.

CHARACTERISTICS	ELECTRICAL DATA	SCALE FULL
OPERATING FORCE --- 5 LB MAX	CONTACT ARRANGEMENT S P D T	DO NOT SCALE PRINT
RELEASE FORCE --- 1 LB MIN	L257	UNLESS OTHERWISE NOTED
DIFFERENTIAL TRAVEL --- .004 MAX	10A 125, 250 OR 480 VAC	DIMENSIONS ARE IN INCHES
OVERTRAVEL --- .203 MIN	1/8 HP 125 VAC, 1/4 HP 250 VAC	TOLERANCES ARE:
	1/2A 125 VDC, 1/4A 250 VDC	ONE PLACE (.0) 1.030
		TWO PLACE (.00) 1.015
		THREE PLACE (.000) 2.005
		ANGLES 2
		WEIGHT

WIRING CONNECTIONS—
 COMMON — BLACK LEAD
 NORMALLY OPEN — RED LEAD
 NORMALLY CLOSED — WHITE LEAD
 DISCONNECTED — GREEN LEAD

BZLN-5-RH
 DRAWING NUMBER
 REVISIONS
 A CO 19597
 B CO 50714
 C CO 59088
 D CO 66768
 E CO 81715
 F CO 85795
 FORMTEK
 DRAWN
 M.B.F.

