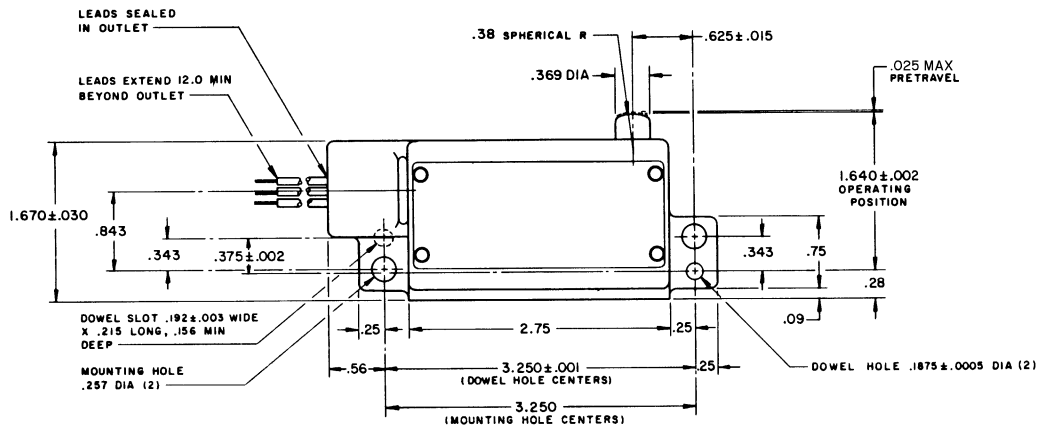
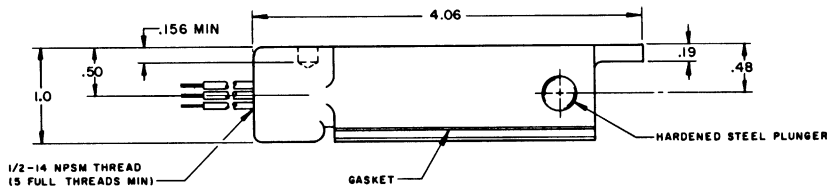


MICRO SWITCH
 FREEPORT, ILLINOIS, U.S.A.
 A DIVISION OF HONEYWELL
 FED. MFG. CODE 9199

SWITCH - ENCLOSED

CATALOG LISTING
BZLN-200-RH

BZLN-200-RH
 M
 12
 14
 REVISIONS
 A CO18597
 B CO19714
 C CO55908
 D CO-8175
 26 SEP 95
 NOV 64
 FORMTEK
 DRAWN
 R E R 5



THIS DRAWING COVERS A PROPRIETARY ITEM AND IS THE PROPERTY OF MICRO SWITCH, A DIVISION OF MINNEAPOLIS-HONEYWELL REGULATOR CO. THIS DRAWING IS NOT TO BE COPIED OR USED WITHOUT THE APPROVAL OF MICRO SWITCH.

CHARACTERISTICS	
OPERATING FORCE	----- 5 LB MAX
RELEASE FORCE	----- 1 LB MIN
DIFFERENTIAL TRAVEL	----- .003 MAX
OVERTRAVEL	----- .203 MIN

ELECTRICAL DATA	
CONTACT ARRANGEMENT S P D T	
-L96-	15 A - 125, 250, OR 480 VAC 1/2 A - 125 VDC, 1/4 A - 250 VDC 1/8 HP - 125 VAC, 1/4 HP - 250 VAC

SCALE FULL	
DO NOT SCALE PRINT	
UNLESS OTHERWISE NOTED	
DIMENSIONS ARE IN INCHES	
TOLERANCES ARE:	
SIX PLACE (.000001)	± .010
TWO PLACE (.00)	± .010
THREE PLACE (.000)	± .008
ANGLES	±
WEIGHT - .720 LB PLUS LEADS	

WIRING CONNECTIONS -
 COMMON - BLACK LEAD
 NORMALLY OPEN - BLUE LEAD
 NORMALLY CLOSED - RED LEAD