

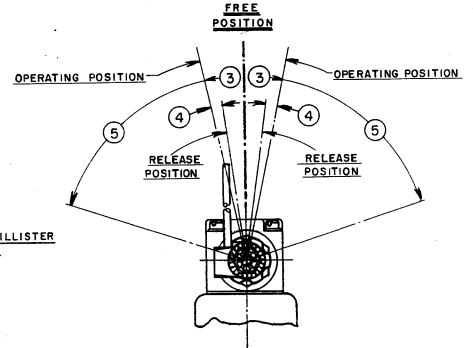
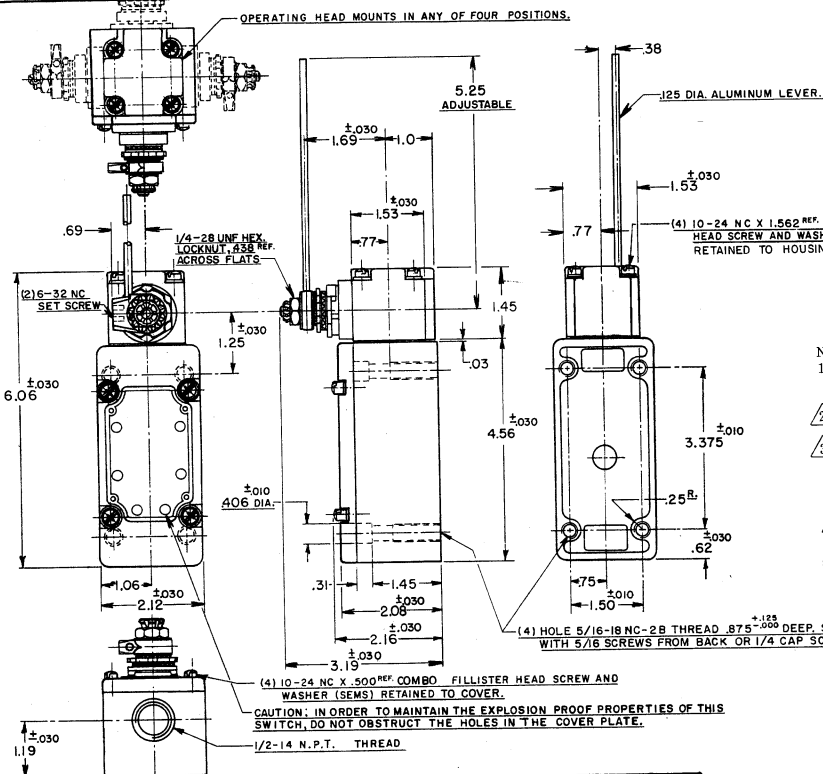
**MICRO SWITCH**  
1 DIVISION OF UNDERWRITERS LABORATORY, INC. HONEYWELL BUILDING, MILWAUKEE, WISCONSIN

**SWITCH — ENCLOSED**

CATALOG LISTING  
**51ML10-E1**

THIS DRAWING COVERS A PROPRIETARY ITEM AND IS THE PROPERTY OF MICRO SWITCH, A DIVISION OF HONEYWELL. THIS DRAWING IS NOT TO BE COPIED OR USED WITHOUT THE APPROVAL OF MICRO SWITCH.

FED. MFR. CODE 91929



**NOTES**

- 1 - LISTED BY UNDERWRITERS LABORATORY, INC. FOR USE IN CLASS 1, GROUPS C AND D VAPOR-AIR ATMOSPHERE, AND CLASS 2, GROUPS E, F AND G DUST-AIR ATMOSPHERE SWITCH IS ASSEMBLED FOR ACTUATION IN CLOCKWISE DIRECTION ONLY
- 2 - TO CONVERT SWITCH FOR ACTUATION IN THE COUNTER-CLOCKWISE DIRECTION ONLY, REMOVE THE HEAD AND SLIDE THE CAM TOWARD THE REAR OF THE HEAD SUFFICIENTLY TO DISENGAGE FROM THE FLATS ON THE SHAFT. ROTATE THE CAM 180° AND RE-ENGAGE THE CAM WITH THE FLATS ON THE SHAFT
- 4 - LEVER MAY BE POSITIVELY LOCKED AT INTERVALS OF APPROX 0.4° (870 POSITIONS)
- 5 - LEVER MAY BE ADJUSTED TO ACTUATE IN THE CLOCKWISE DIRECTION ONLY OR THE COUNTER-CLOCKWISE DIRECTION ONLY
- 7 - IT IS ESSENTIAL THAT THE CONDUIT OPENING BE PROPERLY SEALED IN ORDER TO MAINTAIN THE EXPLOSION PROOF PROPERTIES

**51ML10-E1**  
 DRAWING NUMBER  
 ISSUE 12  
 REVISIONS  
 A C052194 J A P 26 SEPT 83  
 B C058347 J A S 11 NOV 85  
 C 050051 C C 6 JAN 86  
 D D0 63739 J A P 15 JUN 88  
 E D0 74287 J A P 17 APR 93  
 DRAWN J A P 26 SEPT 83  
 CHECK C E U 30 SEP 83  
 RELEASE NO. SR 5069  
 CHECK

CHARACTERISTICS	ELECTRICAL DATA	SCALE 1/2 TO 1
OPERATING FORCE — 5 OZ. MAX.	CONTACT ARRANGEMENT	DO NOT SCALE PRINT
FULL OVERTRAVEL FORCE — 7 OZ. MAX.	S. P. D. T.	UNLESS OTHERWISE SPECIFIED
RELEASE FORCE — 3/4 OZ. MIN.	20A-120, 240 OR 480 VAC; 3/4 H.P.-120 VAC	DIMENSIONS ARE IN INCHES
PRETRAVEL — 3/4 12° MAX.	1/2 H.P.-240 VAC; 1/2 A-115 VDC; 1/8 A-230 VDC	<b>TOLERANCES ARE:</b>
DIFFERENTIAL TRAVEL — 4° MAX.	PILOT DUTY 7720VA-HEAVY DUTY	ONE PLACE (.01) ±.030
OVERTRAVEL — 60° MIN.	600 VAC MAX	TWO PLACE (.005) ±.018
SWITCH—BASIC REPLACEMENT — 1MK5		THREE PLACE (.000) ±.008
		ANGLES 1/16 ±.005
		WEIGHT