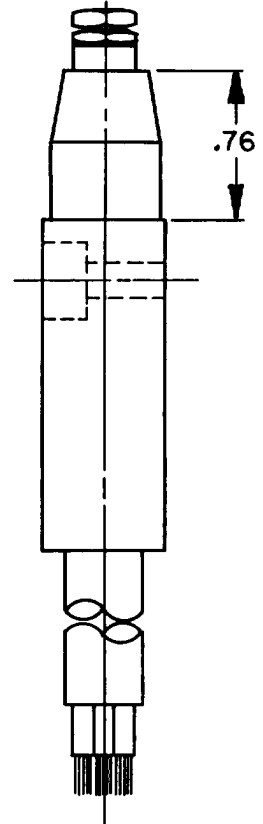
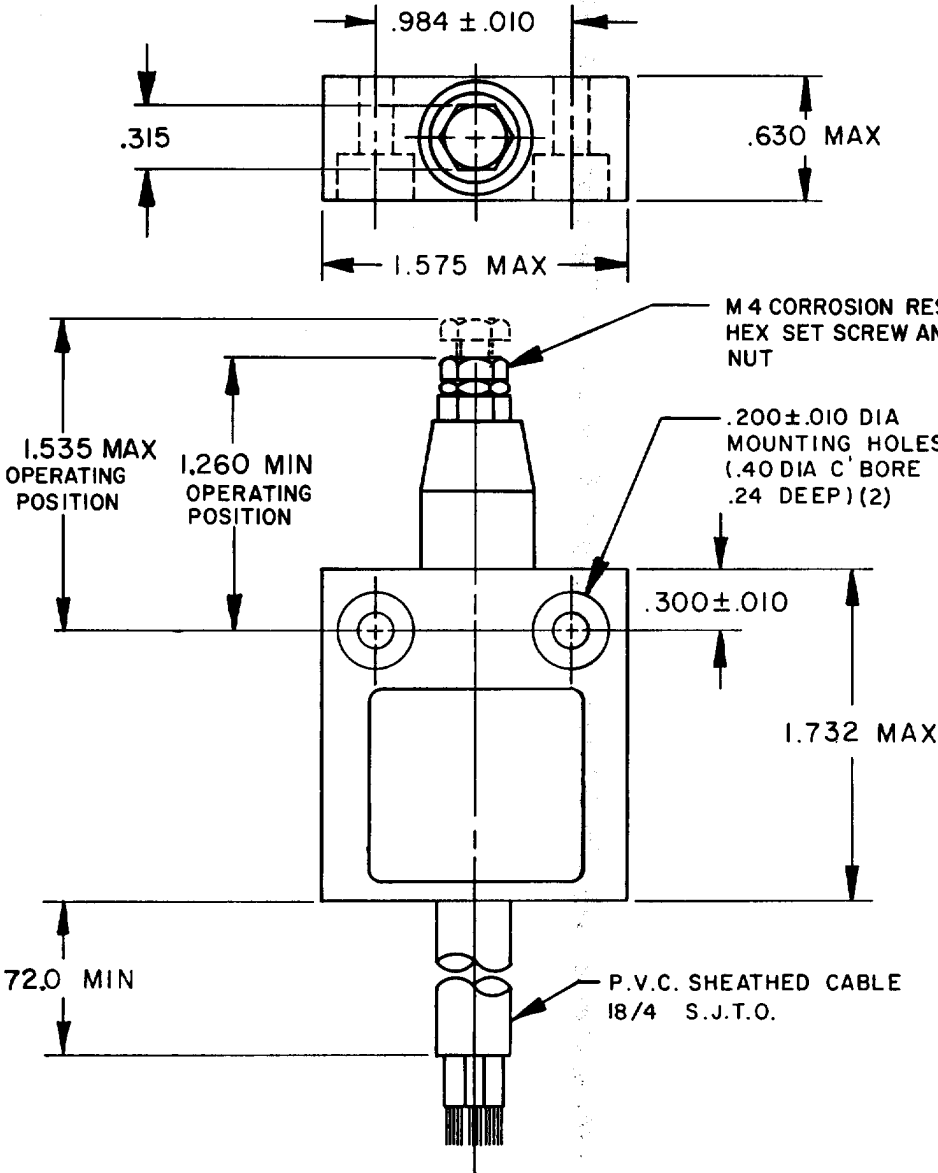


**MICRO SWITCH**  
 FREEPORT ILLINOIS, U.S.A.  
 A DIVISION OF HONEYWELL  
 FED. MFG. CODE 91929

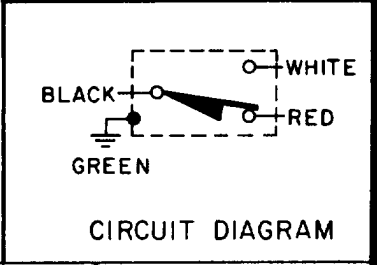
**SMALL PRECISION  
 LIMIT SWITCH**

**914CE19-6**

914CE19-6  
 M  
 DRAWING NUMBER  
 X  
 ISSUE  
 3  
 REVISIONS  
 A CO 51267 TSK 6 APR 82  
 A CO 51367 TSK 6 APR 82  
 B CO69061 L J F 15 AUG 91  
 CHECK  
 PR-7324  
 REPLACES  
 FO-52848-A  
 DRAWN  
 D J S 15 AUG 78  
 CHECK  
 C E B 9 SEPT 78  
 CHECK



NOTE -  
 1 - ZINC HOUSING FINISHED WITH GREY PAINT



THIS DRAWING COVERS A PROPRIETARY ITEM AND IS THE PROPERTY OF MICRO SWITCH, A DIVISION OF HONEYWELL. THIS DRAWING IS NOT TO BE COPIED OR USED WITHOUT THE APPROVAL OF MICRO SWITCH.

<b>CHARACTERISTICS</b>		<b>ELECTRICAL DATA</b>		<b>SCALE FULL</b>																													
OPERATING FORCE - - - - 5 LB MAX		CONTACT ARRANGEMENT S P D T		DO NOT SCALE PRINT																													
DIFFERENTIAL TRAVEL - - - .004 MAX		1/10 HP - 125 OR 250 VAC		<b>TOLERANCES</b> APPLY TO DESIGN UNITS. CONVERSIONS ARE ONLY FOR REFERENCE. UNLESS NOTED, TOLERANCES ARE ±																													
OVERTRAVEL - - - - .118 MIN		5A - 250 VAC 1/10 HP - 125 OR 250 VAC 		<table border="1"> <thead> <tr> <th>DIM.</th> <th>TOL.</th> <th>DIM.</th> <th>TOL.</th> </tr> <tr> <th>mm</th> <th>mm/in</th> <th>in</th> <th>mm/in</th> </tr> </thead> <tbody> <tr> <td>NO PLACES</td> <td>X</td> <td>1/04</td> <td></td> </tr> <tr> <td>ONE PLACE</td> <td>X,X</td> <td>0.4/0.16</td> <td>X X 0.8/0.3</td> </tr> <tr> <td>TWO PLACES</td> <td>X,XX</td> <td>0.15/0.06</td> <td>X XX 0.38/0.15</td> </tr> <tr> <td>THREE PLACES</td> <td></td> <td></td> <td>X XXX 0.13/0.05</td> </tr> <tr> <td>ANGLES</td> <td></td> <td></td> <td></td> </tr> </tbody> </table>		DIM.	TOL.	DIM.	TOL.	mm	mm/in	in	mm/in	NO PLACES	X	1/04		ONE PLACE	X,X	0.4/0.16	X X 0.8/0.3	TWO PLACES	X,XX	0.15/0.06	X XX 0.38/0.15	THREE PLACES			X XXX 0.13/0.05	ANGLES			
DIM.	TOL.	DIM.	TOL.																														
mm	mm/in	in	mm/in																														
NO PLACES	X	1/04																															
ONE PLACE	X,X	0.4/0.16	X X 0.8/0.3																														
TWO PLACES	X,XX	0.15/0.06	X XX 0.38/0.15																														
THREE PLACES			X XXX 0.13/0.05																														
ANGLES																																	
DESIGN UNITS <input type="checkbox"/> SI METRIC <input type="checkbox"/> US CUSTOMARY		WEIGHT																															