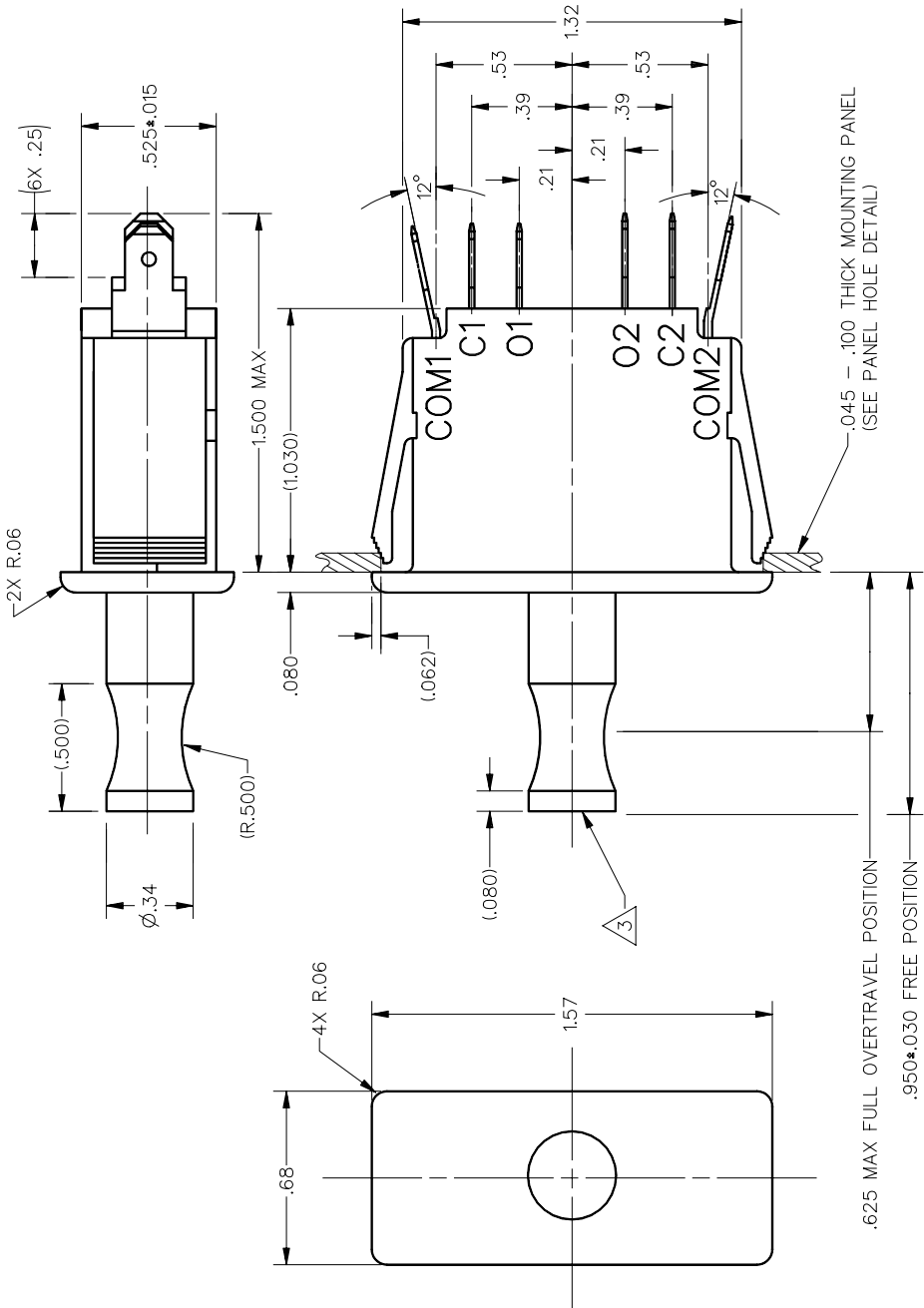
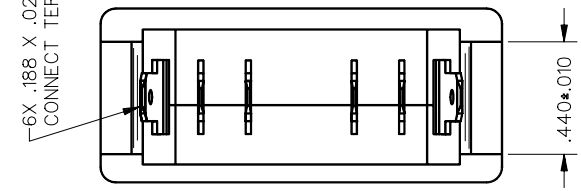
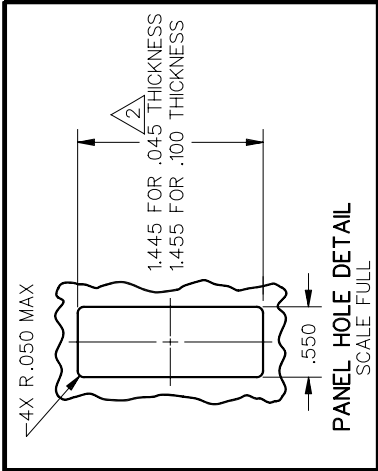


MICRO SWITCH
a Honeywell Division
FED. MFG. CODE 91929

SWITCH — BASIC

CATALOG LISTING
2DM301



THIRD ANGLE PROJECTION 	
SCALE 2 TO 1	
DO NOT SCALE PRINT	
UNLESS OTHERWISE SPECIFIED TOLERANCES ARE ONE PLACE (.01) ±.030 TWO PLACE (.00) ±.015 THREE PLACE (.000) ±.005 ANGLES WEIGHT	
CHARACTERISTICS OPERATING FORCE — 24 OZ MAX (TO OPERATE BOTH CIRCUITS)	ELECTRICAL DATA CONTACT ARRANGEMENT D P D T L181 10A 1/2HP 125, 250 OR 277 VAC

- NOTES
- 1 - GRAY PLASTIC CASE AND BLACK PLASTIC PLUNGER
 - 2 - NOMINAL CUTOUT DIMENSION FOR PANELS BETWEEN .045 AND .100 SHOULD BE INTERPOLATED BETWEEN 1.445 AND 1.455.
 - 3 - PUSH TO OPERATE - MAINTAINED, PULL TO RETURN

ANSI Y14.5M-1982 APPLIES

DRAWN	DHM/CAD
CHECKED	92 JUL 22
RELEASE NO.	SR-11093
REPLACES	
ISSUE	8
REVISIONS	A 06-03-98
	1 04-03-98
	22 JUL 92