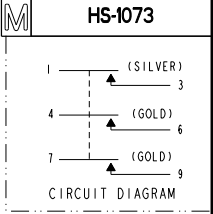
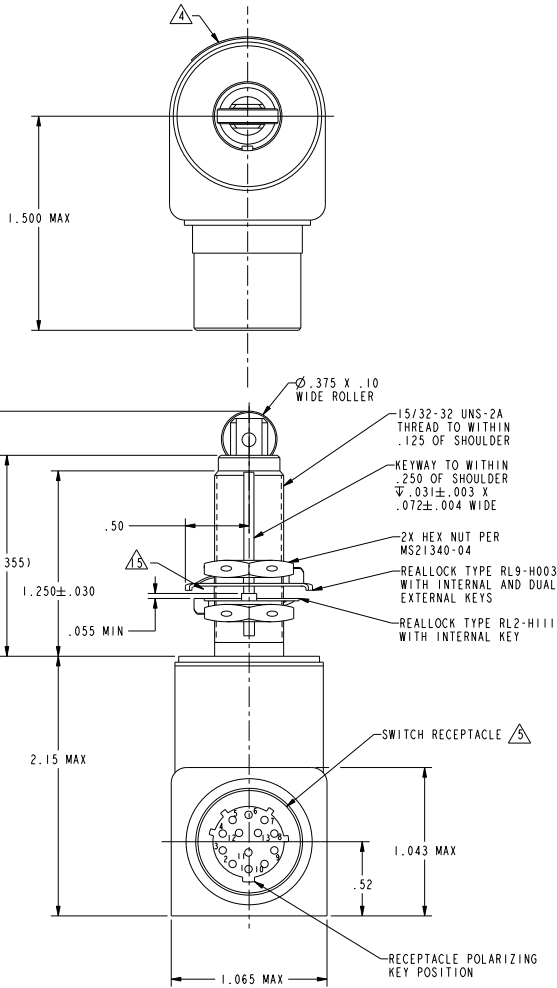


P.T.C./CAD 70  
 DATE 13 MAR 80  
 DRAWN BY J.M.  
 CHECKED BY J.M.  
 REVISED BY J.M.  
 DATE 05 MAY 81  
 BY J.M.  
 CHECKED BY J.M.  
 DATE 02 JAN 85  
 BY J.M.  
 CHECKED BY J.M.  
 DATE 01 DEC 85  
 BY J.M.  
 CHECKED BY J.M.  
 DATE 01 DEC 85



WARNING - THIS PRODUCT IS SUBJECT TO THE U.S. INTERNATIONAL TRAFFIC IN ARMS REGULATIONS (ITAR), AND THE EXPORT CONTROL LAWS OF THE UNITED STATES. TRANSFER OF TECHNICAL DATA PERTAINING TO THIS PRODUCT BY ANY MEANS TO A FOREIGN PERSON PER ITAR DEFINITIONS, WHETHER IN THE UNITED STATES OR ABROAD, WITHOUT A PRIOR EXPORT LICENSE OR OTHER APPROVAL FROM THE U.S. DEPARTMENT OF STATE, IS PROHIBITED.

**GENERAL HS APPLICATION NOTES:**

- INITIAL OPERATION OF THE SWITCH WILL OCCUR WITHIN THE PRETRAVEL SPECIFICATION AND RELEASE PER THE CLICK DISTANCE SPECIFICATION. CLICK DISTANCE IS THE DISTANCE THE PLUNGER RETURNS FROM THE DOWNWARD STROKE TO THE POINT OF CIRCUIT TRANSFER.
- INSTALLATION OF THE SWITCH SHOULD DEPRESS THE PLUNGER A MINIMUM OF THE SUM OF THE PRETRAVEL AND THE CLICK DISTANCE. IF THE PLUNGER TRAVEL IS LESS THAN THE SUM, THE CLICK DISTANCE WILL BE EQUAL TO PLUNGER TRAVEL MINUS THE PRETRAVEL MINUS APPROXIMATELY 0.010 INCHES.
- THE SWITCH WILL SELF ADJUST TO THE PROPER RELATIONSHIP WITH THE ACTUATOR UPON COMPLETION OF THE FIRST CYCLE. THIS RELATIONSHIP WILL REMAIN CONSTANT UNTIL THE ACTUATOR HAS A GROSS CHANGE IN DISPLACEMENT. THE SWITCH MAY THEN BE REINSTALLED TO THE NEW OR OLD ACTUATOR DISPLACEMENT AND ONCE AGAIN IT WILL SELF ADJUST TO THE PROPER RELATIONSHIP.

**NOTES:**

- COINCIDENCE OF OPERATING AND RELEASING POINTS: .010 OF PLUNGER TRAVEL
- CORROSION RESISTANT ENCLOSURE, PLUNGER, BUSHING, ROLLER AND ROLLER GUIDE
- SWITCH SEALED PER MIL-PRF-8805 SYMBOL 4
- CIRCUIT DIAGRAM, CATALOG LISTING, DATE CODE & FED. MFG. CODE ON NAMEPLATE
- RECEPTACLE D38999/25B35PN MATES WITH D38999/26MB35SN
- TEMPERATURE: MECHANICAL LIFE: -67°F TO +236°F  
ELECTRICAL LIFE: -67°F TO +185°F
- SHOCK QUALIFIED TO 100g
- RANDOM VIBRATION PER MIL SERIES SWITCH
- ICING QUALIFIED PER MIL-PRF-8805
- MINIMUM ELECTRICAL LIFE 25,000 CYCLES @ RATED LOAD
- MINIMUM MECHANICAL ENDURANCE: 35,000 CYCLES
- QUALIFIED FOR SAND AND DUST PER MIL-STD-810
- QUALIFIED FOR HUMIDITY PER MIL-STD-810
- QUALIFIED TO 500 HOURS CONTINUOUS EXPOSURE TO SALT FOG PER MIL-STD-810
- MOUNTING PANEL THICKNESS: .120 MIN
- ORIGINAL DESIGN ACTIVITY CAGE CODE 60198  
SAINT SWITCH INC.  
ST. CHARLES, IL 60174  
(DESIGN AND PRODUCTION RIGHTS OF THIS PRODUCT PURCHASED BY HONEYWELL AS OF JUNE 1999)

CHARACTERISTICS		ELECTRICAL DATA				
OPERATING FORCE.....	4-30 LB	CONTACT ARRANGEMENT 3X S P N O				
FULL OVERTRAVEL FORCE.....	30 LBS MAX	28 VDC				
RELEASE FORCE.....	4 LBS MIN	SEA LEVEL 50,000 FT				
PRETRAVEL.....	.040 MAX	SILVER GOLD SILVER GOLD				
CLICK DISTANCE.....	.042±.015	RES	7	.5	7	.5
TOTAL TRAVEL.....	.250 MIN	IND	4	.25	2.5	.25

THIS DRAWING COVERS A PROPRIETARY ITEM AND IS THE PROPERTY OF MICRO SWITCH, A DIVISION OF HONEYWELL. THIS DRAWING IS NOT TO BE COPIED OR USED WITHOUT THE APPROVAL OF MICRO SWITCH.

**MICRO SWITCH**  
 a Honeywell Division

**SWITCH - ENCLOSED**

**HS-1073**

CATALOG LISTING

THIRD ANGLE PROJECTION		
SCALE	FULL	
DO NOT SCALE PRINT		
UNLESS OTHERWISE SPECIFIED TOLERANCES ARE		
ONE PLACE	(.01)	±.030
TWO PLACES	(.001)	±.015
THREE PLACES	(.0001)	±.005
ANGLES		±
WEIGHT		

ANSI Y14.5M-1982 APPLIES