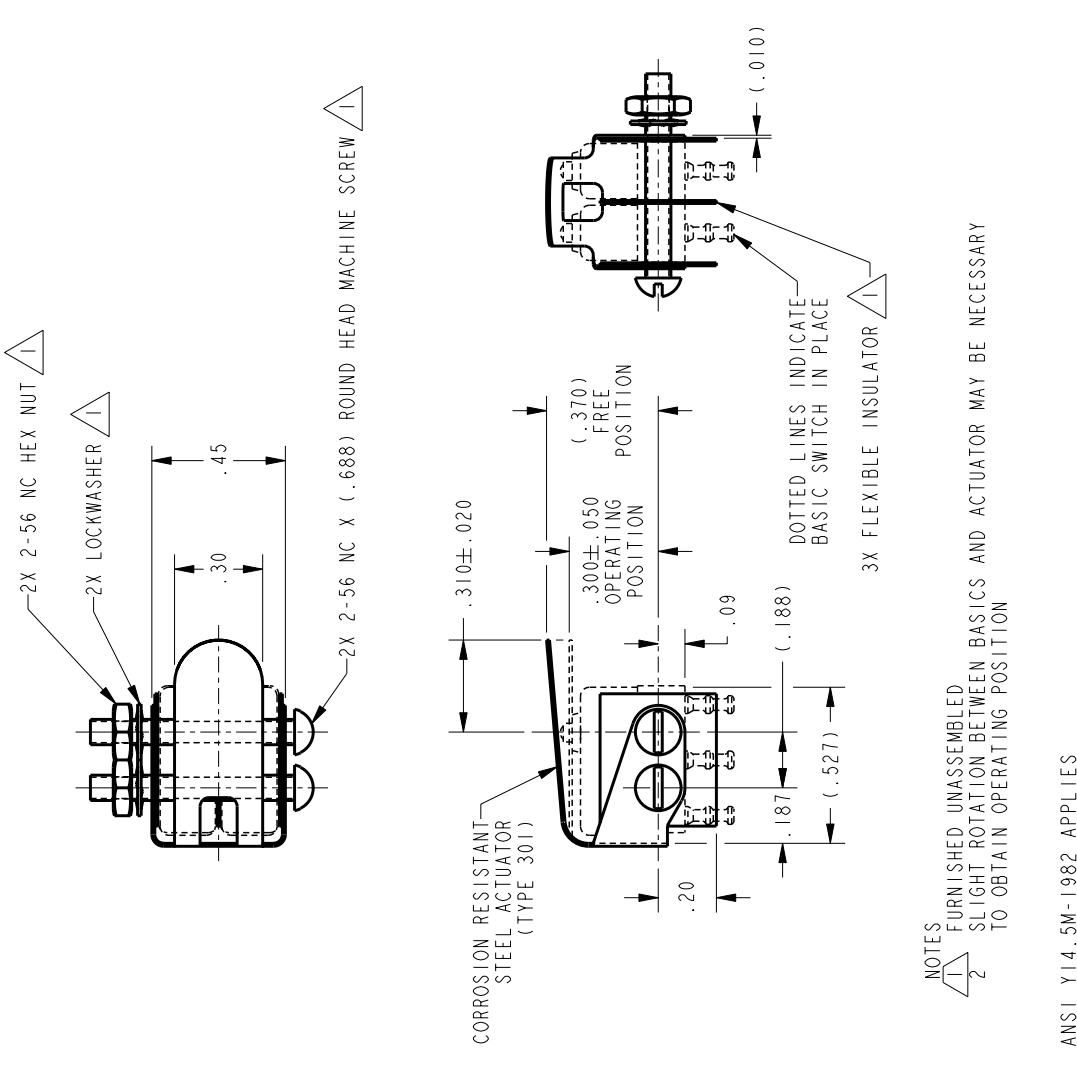


10	ISSUE
M	CATALOG LISTING
PAGE 1 OF 1	
JX-4	

REPLACES	X24754 ISS 1
RELEASE NO.	PR-3964



NOTES

$\triangle 1$ FURNISHED UNASSEMBLED

2 SLIGHT ROTATION BETWEEN BASICS AND ACTUATOR MAY BE NECESSARY TO OBTAIN OPERATING POSITION

ANSI Y14.5M-1982 APPLIES

THIS DRAWING COVERS A PROPRIETARY ITEM AND IS THE PROPERTY OF MICRO SWITCH, A DIVISION OF HONEYWELL. THIS DRAWING IS NOT TO BE COPIED OR USED WITHOUT THE APPROVAL OF MICRO SWITCH.		THIRD ANGLE PROJECTION
ELECTRICAL DATA		SCALE 2:1
CONTACT ARRANGEMENT		DO NOT SCALE PRINT
CHARACTERISTICS		UNLESS OTHERWISE SPECIFIED TOLERANCES ARE
OPERATING FORCE 15 OZ MAX	ONE PLACE (.0)
DIFFERENTIAL FORCE	TWO PLACE (.00)
RELEASE FORCE 3 OZ MIN	THREE PLACE (.000)
PRETRAVEL	ANGLES
DIFFERENTIAL TRAVEL030 MAX	WEIGHT
OVERTRAVEL008 MIN	
FREE POSITION	

JLH	29MAR02	CHECK
SAV	29MAR02	CHECK
JLH	205206	REVISIONS
JLH	29MAR02	REVISIONS

PTC/CAD 3D