

MICRO SWITCH

A DIVISION OF MINNEAPOLIS-HONEYWELL REGULATOR COMPANY
 PROSPERITY, ILLINOIS
 FED. MFR. CODE 91929

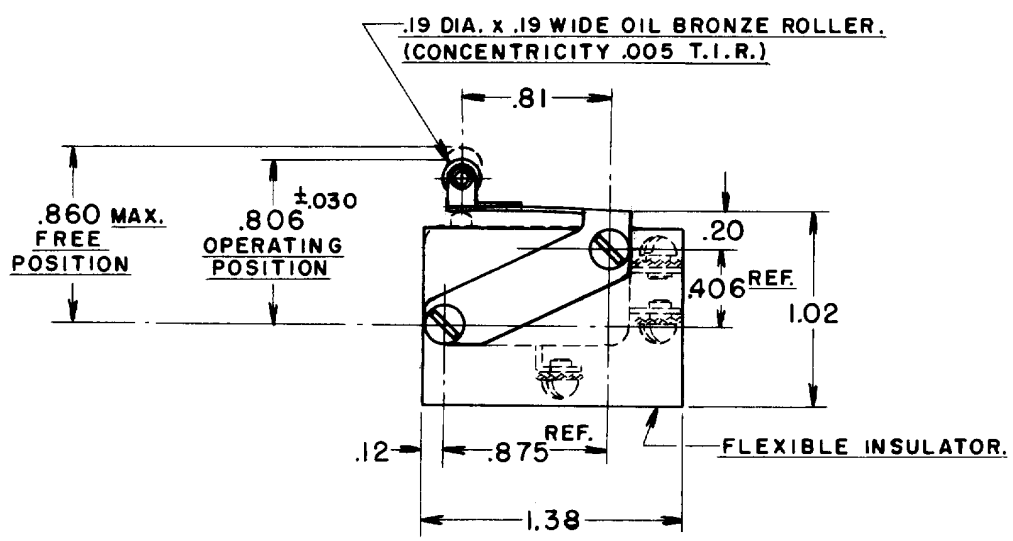
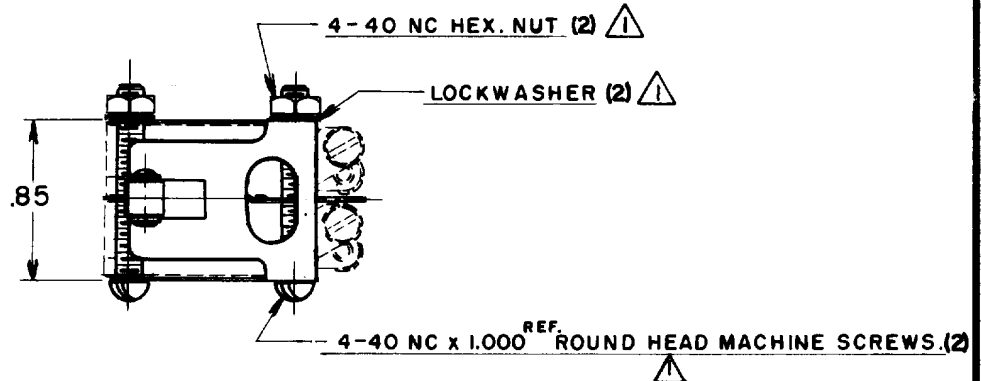
ACTUATOR-SWITCH

CATALOG LISTING

JV-82

FAA-PMA

JV-82
 PAGE 1 OF 1
M
 DRAWING NUMBER
 7
 ISSUE
 REVISIONS
 A WAS X15674 R L H 15 MAY 59
 B CO13972 AFP 20 AUG 59
 C CO-27609 MJB 22 JUN 70
 D CO34626 RER 7 FEB 75
 E CO74163 DHD 22 APR 93
 F CO93327 DLT 2 DEC 98
 CHECK 13 AUG 57
 CHECK BLS
 CHECK 21 MAY 59
 CHECK R. G. C. 12, AUG. '57
 DRAWN
 FORMTEK
 FO-50378



- NOTES**
- ⚠ FURNISHED UNASSEMBLED
 - 2- SWITCHES DO NOT NECESSARILY OPERATE SIMULTANEOUSLY
 - 3 - MARKING ON INDIVIDUAL PACKAGES OF ACTUATORS SHALL INCLUDE FAA-PMA

THIS DRAWING COVERS A PROPRIETARY ITEM AND IS THE PROPERTY OF MICRO SWITCH, A DIVISION OF HONEYWELL. THIS DRAWING IS NOT TO BE COPIED OR USED WITHOUT THE APPROVAL OF MICRO SWITCH.

CHARACTERISTICS WITH (2) JV5-1 BASIC SWITCH INSTALLED	ELECTRICAL DATA		SCALE FULL
OPERATING FORCE ——— 28 OZ. MAX.	CONTACT ARRANGEMENT	BREAK DISTANCE	DO NOT SCALE PRINT
RELEASE FORCE ——— 10 OZ. MIN.			UNLESS OTHERWISE SPECIFIED DIMENSIONS ARE IN INCHES
OVERTRAVEL ——— .035 MIN.			TOLERANCES ARE:
			ONE PLACE (.0) ±.030
			TWO PLACE (.00) ±.015
			THREE PLACE (.000) ±.005
			ANGLES ±
			WEIGHT