

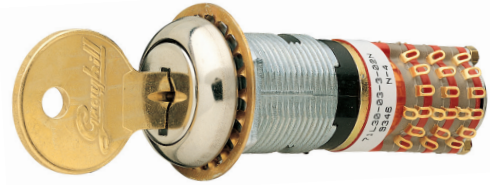
**SERIES 71 J and L**  
**Multi-Deck, Standard &**  
**Anti-Static**

**LOCK FEATURES**

- Economical
- Standard or Anti-Static Style
- 5-Plates, 1-Sided Key

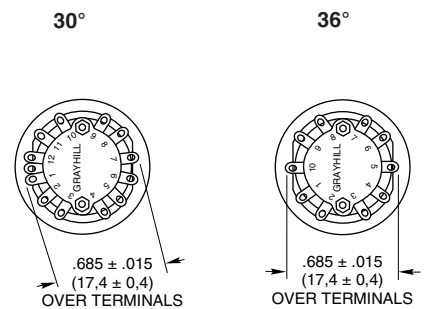
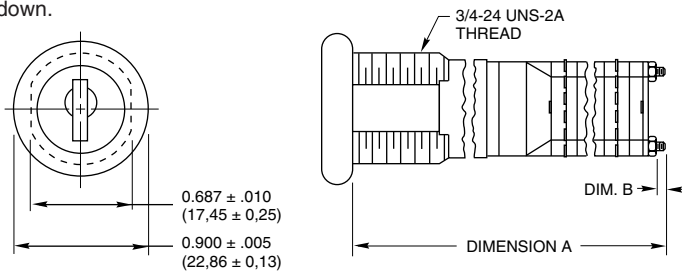
**SWITCH FEATURES**

- Economical
- 36° or 30° Throws
- Up to 16 Poles Per Switch
- 250 mA for 15,000 Cycles



**DIMENSIONS** In inches (and millimeters)

Key slot shown in position 1.  
 Key to be inserted with cut side down.



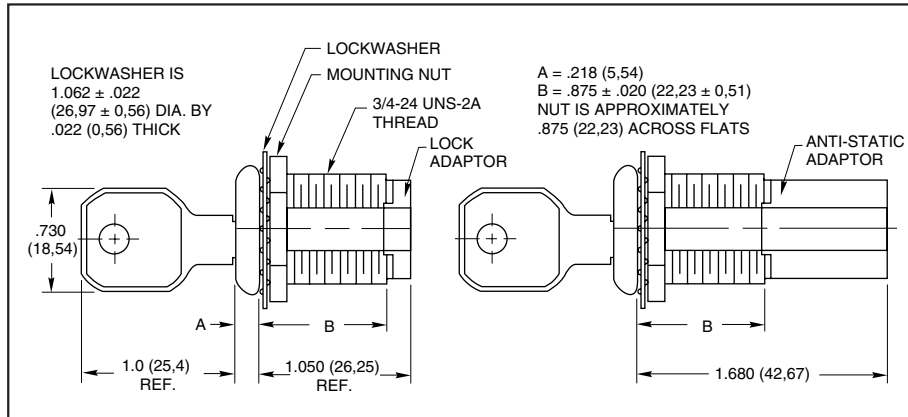
Note: Switch/key positions are not aligned with terminal positions.

Number of decks	1	2	3	4	5	6	7	8	9	10	11	12
Dim. A, Style J (In.)	2.441	2.659	2.877	3.095	3.313	3.811	4.029	4.247	4.465	4.683	4.901	5.119
Dim. A, Style L (In.)	1.811	2.029	2.247	2.465	2.683	3.181	3.399	3.617	3.835	4.053	4.271	4.489
Dim. B Style J & L(In.)	.031	.031	.031	.031	.031	.312	.312	.312	.312	.312	.312	.312
Dim. A, Style J (mm)	62,00	67,54	73,08	78,61	84,15	96,80	102,34	107,87	113,41	118,95	124,49	130,02
Dim. A, Style L (mm)	46,00	51,54	57,07	62,61	68,15	80,80	86,33	91,87	97,41	102,95	108,48	114,02
Dim. B Style J & L(mm)	0,79	0,79	0,79	0,79	0,79	7,92	7,92	7,92	7,92	7,92	7,92	7,92

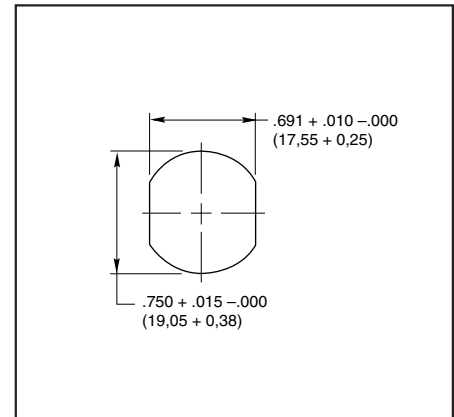
For switch specifications and additional dimensions, see Standard Switch Pages.

Grayhill part number and date code marked on label.  
 Customer part number marked on request.

**LOCK DETAIL**



**RECOMMENDED PANEL CUT**



Rotary Switches

## CHOICES

Style	Description	Angle of Throw	No. Of Decks	Poles/ Deck	Positions Per Pole	Shorting or Non-Shrtg.
<b>Series 71 Switches</b>						
L J	Standard, Solder Lugs Anti-static, Solder Lugs	30°	01 to 12 01 to 08 01 to 05 01 to 04 01 to 03 01 or 02	1 2 3 4 5 6	02 to 12* 02 to 06 02 to 03 02 to 03 02 02	N or S N or S N or S N or S N or S N or S
		36°	01 to 12 01 to 08	1 2	02 to 10* 02 to 05	N or S N or S

\*For single pole switches with maximum positions, specify continuous rotation or fixed stop when ordering.

## LOCK SPECIFICATIONS

**Mounting:** By bushing, nut and lockwasher  
**Static Voltages:** Anti-static style withstands 15,000 Vdc  
**Keying:** All locks have identical keys unless specially ordered otherwise

### Key Removal

30° Throw: Position 1 and 180°  
 Special key removal: Every 90°  
 36° Throw: All positions  
 Special key removal: Position 1 only

**Orientation of Keylock Switch:** Bushing flats are on both sides of the mounting thread with the key upright in the first position with cut side down.

## LOCK MATERIALS & FINISHES

**Keys:** Brass; 2 supplied  
**Lock Bezel:** Stainless steel  
**Lock Barrel & Plug:** Zinc treated with chromate  
**Lock Adaptor/Extension:** Thermoplastic

## ORDERING INFORMATION

**Series**  
**Style Letter:** L for standard; J for anti-static  
**Angle of Throw:** 30 or 36  
**Number of Decks:** 01 thru 12 (per Choices chart)  
**Poles per Deck:** 1 thru 6 (per Choices chart)  
**Positions per Pole:** 02 thru 12 (per Choices chart)  
**Type of Contacts:**  
 N = Non-shorting  
 S = Shorting  
**Stop Arrangement Suffix:**  
 (needed only for 1-pole switches with maximum positions)  
 F = Fixed stop between last and first positions  
 \*Leave blank for continuous rotation

**71 L 30-03-1-12N-F**

## STANDARD SWITCH PAGES

For additional switch dimensions, ratings, circuitry, and specifications, see Series 71. Switches beginning on page J-31.

**Available from your local Grayhill Distributor.**  
 For prices and discounts, contact a local Sales Office, an authorized local Distributor or Grayhill.