

# C&K Rafix 16 Series Momentary & Latching Switchlocks



Models Available  
(Contact block only)

## Features/Benefits

- Gold or silver contacts
- Latching and momentary styles
- 2 or 3 positions
- Quick connect terminations

## Typical Applications

- Machine process controls
- Construction equipment
- Textile machinery



H

Switchlock

## How To Order

To order, select actuator and contact block part numbers. Accessories available separately, see section L. Other frame styles and flush models available, consult Customer Service Center.

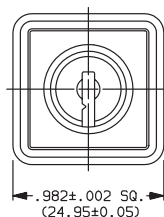
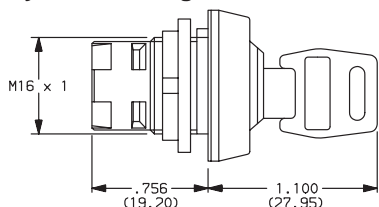
## Specifications

CONTACT RATING: Ag: 6 AMPS @ 250 V AC;  
Au: 250 mA @ 42 V AC/DC.  
CONTACT SYSTEM: Self cleaning bridge contact.  
CONTACT ARRANGEMENT: 1 N.C. & 1 N.O./2 N.O./2 N.C.  
CONTACT RESISTANCE: Ag: 20 mΩ; Au: < 50 mΩ.  
FIXING: Hexagon nut  
OPERATING LIFE: 65,000 cycles.  
OPERATING TEMPERATURE: -25°C to +70°C; -13°F to +158°F.  
DEGREE OF PROTECTION: IP65; Dust-proof, water splash and dew condensation.

## Materials

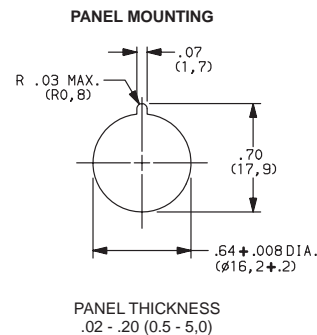
LOCK HOUSING: PA  
COLLAR: PBTB.  
CONTACT BLOCK HOUSING: PA 12.  
LOCK: 5 tumblers.  
CONTACT MATERIAL: Silver nickel/gold.  
TERMINALS: Quick connect 2.8 x 0.8 tin plated.  
FLAMMABILITY OF PLASTIC MATERIALS: UL 94V0.  
KEYS: 2 insert molded plastic head keys.

## Momentary and Latching Switchlock



1.30076.5010000

PART NUMBER	KEY PULL POSITION	SWITCH CONFIGURATION	INDEXING
1.30076.5010000	Position 1		40° momentary
1.30076.7010000*	Position 1		40° momentary
1.30076.0010000	Position 1		90° latching
1.30076.0510000	Positions 1 & 2		90° latching
1.30076.1010000	Position 1		90° latching
1.30076.1510000	Positions 1 & 2		90° latching
1.30076.3010000*	Position 1		90° latching
1.30076.4010000*	Positions 1, 2 & 3		90° latching
1.30076.9010000*	Position 3		90° latching 40° momentary



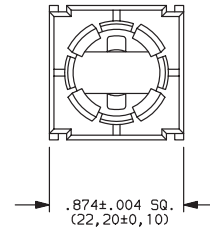
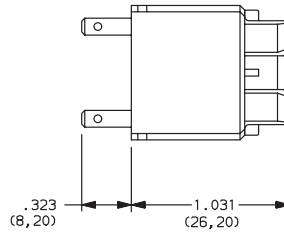
PANEL THICKNESS  
.02 - .20 (0.5 - 5.0)

\*Requires universal contact block.  
All others require standard contact block.

# C&K Rafix 16 Series Momentary & Latching Switchlocks

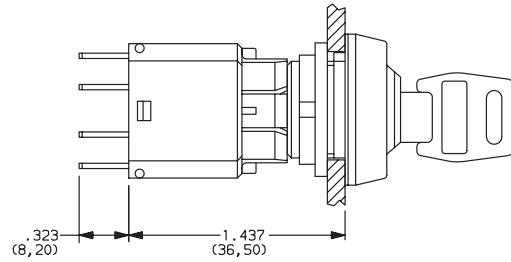


## Standard Contact Block for Momentary and Latching Switchlock



1.20122.0210000  
1 N.C. + 1 N.O.

STANDARD CONTACT BLOCK			
PART NUMBER	FUNCTION	MATERIAL/ CONTACT RATING	CONTACT ARRANGEMENT
1.20122.0210000 1.20122.0220000 1.20122.0230000	Momentary	Silver 250 V/ 6 A (4 A)	1 N.C. & 1 N.O. 2 N.O. 2 N.C.
1.20122.0310000 1.20122.0320000 1.20122.0330000	Momentary	Gold 42 V/ 250 mA	1 N.C. & 1 N.O. 2 N.O. 2 N.C.



Standard Contact Block with  
Momentary or Latching Switchlock

UNIVERSAL CONTACT BLOCK			
PART NUMBER	FUNCTION	MATERIAL/ CONTACT RATING	CONTACT ARRANGEMENT
1.20123.0210000 1.20123.0220000 1.20123.0230000 1.20123.0240000 1.20123.0250000	Momentary	Silver 250 V/ 6 A (4 A)	1 N.C. & 1 N.O. 1 N.C. 1 N.O. 2 N.C. 2 N.O.
1.20123.0310000 1.20123.0320000 1.20123.0330000 1.20123.0340000 1.20123.0350000	Momentary	Gold 42 V/ 250 mA	1 N.C. & 1 N.O. 1 N.C. 1 N.O. 2 N.C. 2 N.O.