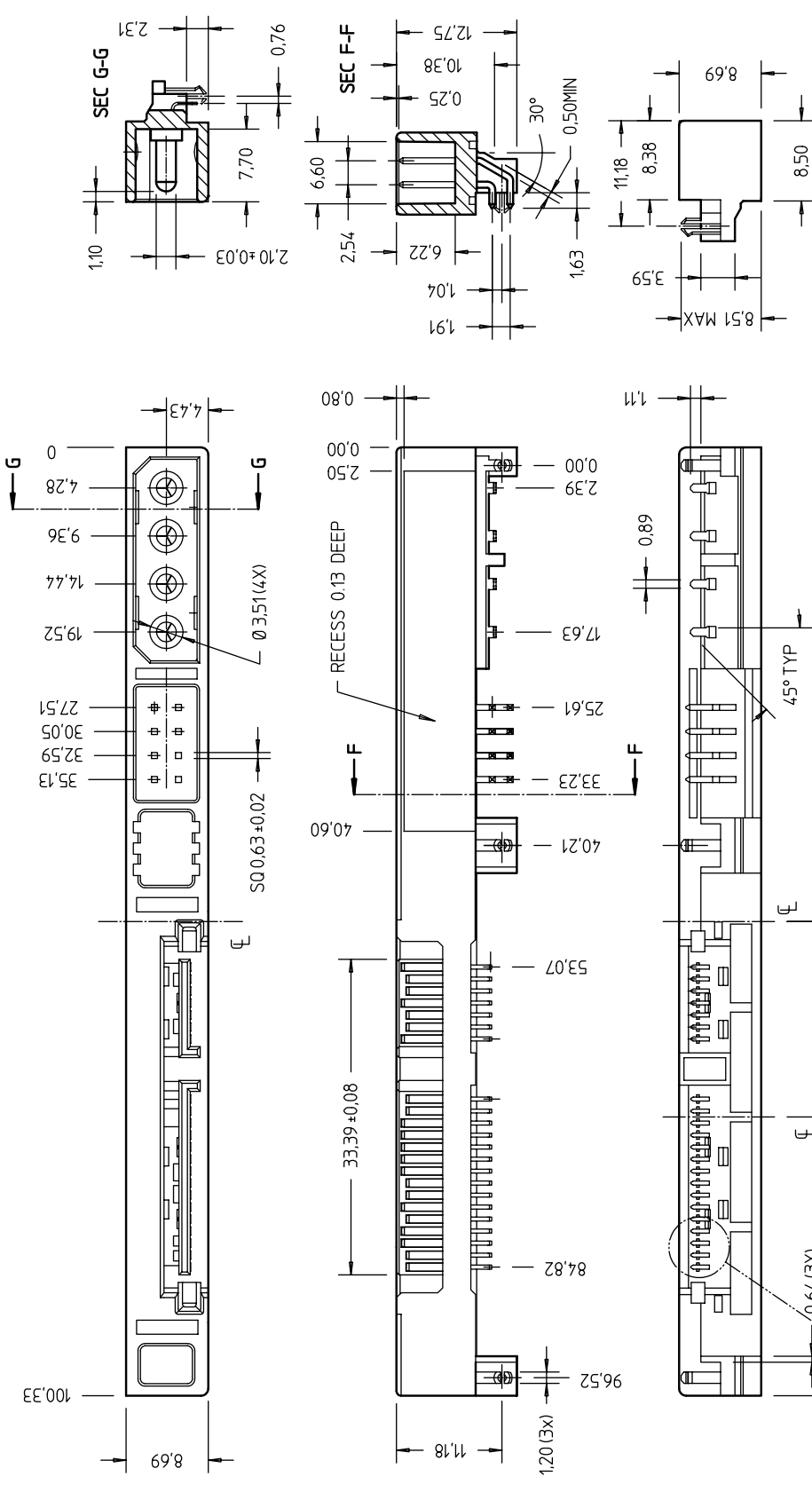


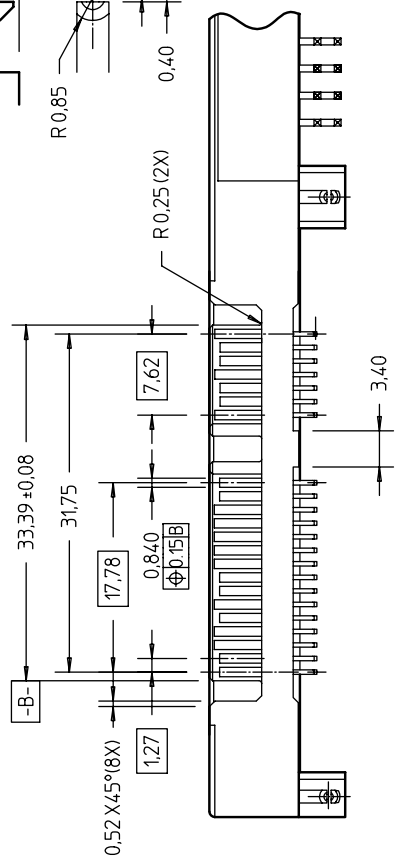
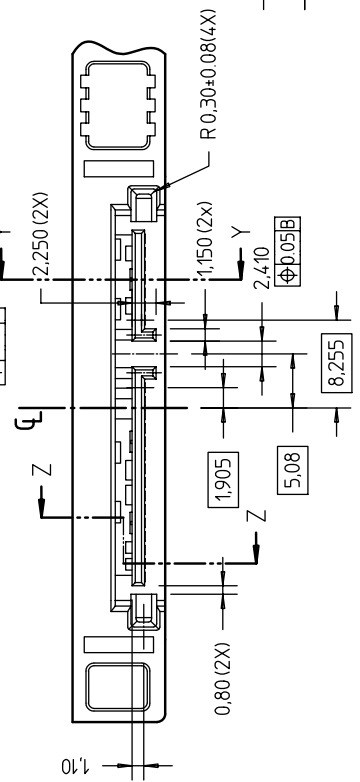
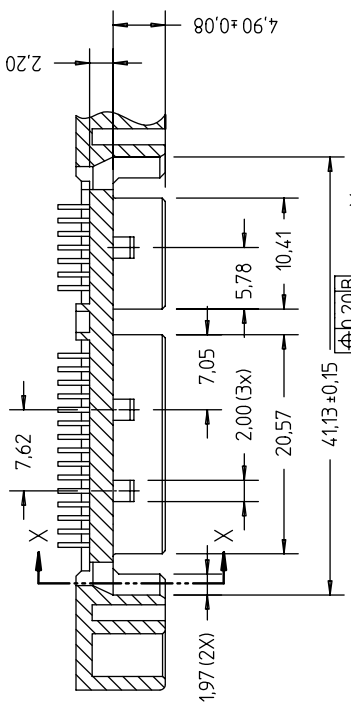
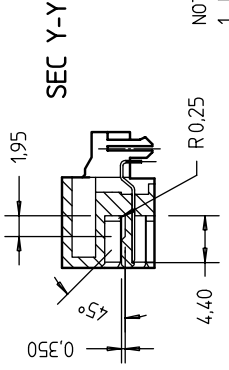
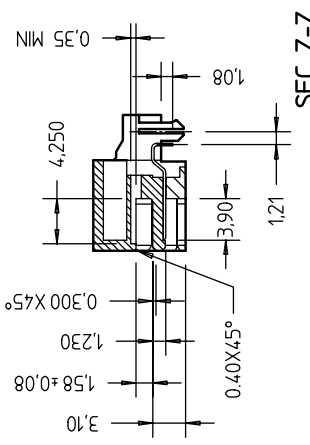
PRODUCT NO  
10036692-001LF



mat'l. code 16-651-034		surface ISO 1302	tolerance ISO 406 ISO 1101	projection	product family SATA PLUG
itr	ec'n no	date	tolerances unless otherwise specified	title	SATA COMBO PLUG
A	S04-0009	R.C. 12JAN04	x.x ± 0.25	mm	
B	S05-0077	R.C. 15MAR05	x.xx ± 0.13	scale 15 : 1	
C	S06-0325	R.C. 27SEP06	x.xxx ± 0.05		
dr	R. CRASTA	14JAN04			
engr	R. CRASTA	27SEP06			
chr	R. CRASTA	27SEP06			
appd	JOEY NG	27SEP06			
sheet	revision				
index	sheet				

dwg no 10036692		sheet 1 of 3 size A4
type CUSTOMER		Drawing

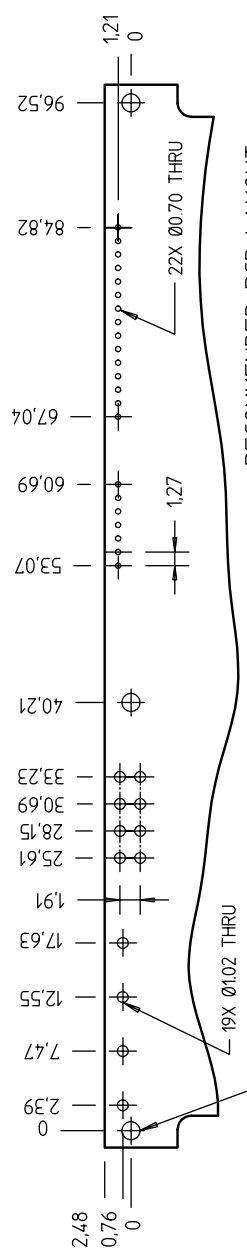
PRODUCT NO  
10036692-001LF



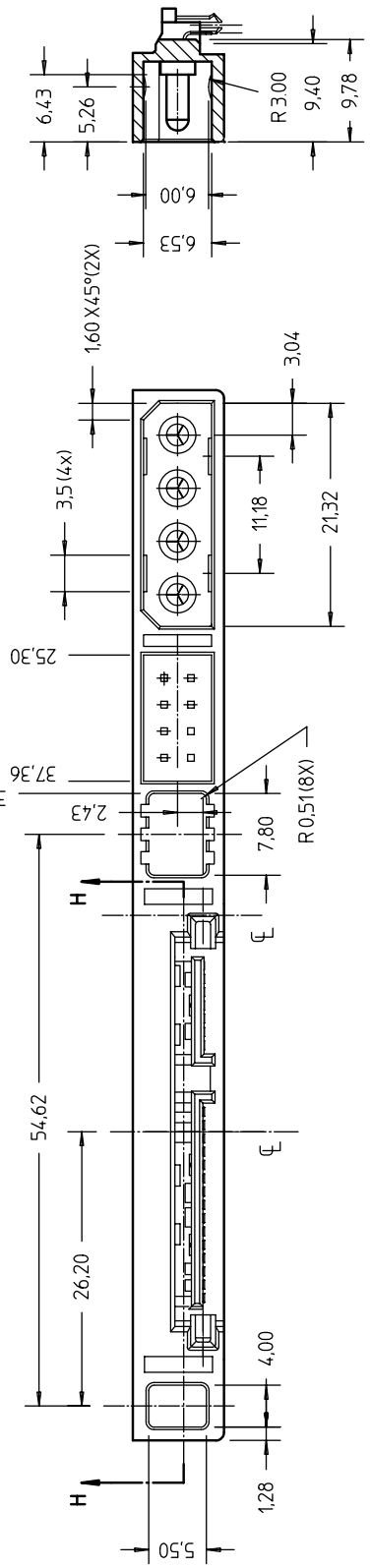
- NOTES:  
 1 MATERIAL:  
 HOUSING : HIGH TEMP. PLASTIC PA9T (BLACK) UL 94V-0  
 SATA TERMINAL : BRASS C2680-H THICKNESS 0.25MM  
 FINISH : 50" MIN AU FLASH OVER 500" NICKEL  
 SOLDER TAIL : 500" MIN TIN(100%) OVER 500" MIN NICKEL  
 JUMPER PIN: PH BRONZE  
 FINISH : 40" MIN AU FLASH OVER 500" NICKEL  
 POWER PIN : BRASS C2600R-H  
 FINISH : 400" MIN Sn OVER 300" MIN COPPER  
 2 PACKAGING: 60 PCS PER TRAY. 420 PCS PER BOX.  
 3 THIS PRODUCT MEETS EUROPEAN UNION DIRECTIVES AND OTHER COUNTRY REGULATIONS AS DESCRIBED IN GS-22-008  
 4 THIS HOUSING WILL WITHSTAND EXPOSURE TO 260°C TEMPERATURE FOR 10 SECONDS IN A CONVECTION, INFRA-RED OR VAPOR PHASE REFLOW OVEN

mat'l. code		surface		tolerance		projection		product family	
ISO 1302		ISO 406 ISO 1101		ISO 406 ISO 1101		SATA PLUG		SATA COMBO PLUG	
itr		angles		linear		scale 15 : 1		title	
A		R. CRASTA		14JAN04		FCI		dwg no	
B		R. CRASTA		27SEP06		10036692		sheet 2 of 3 size	
C		R. CRASTA		27SEP06		CUSTOMER		Drawing	
sheet		revision		index		sheet		type	
1		1		1		1		CUSTOMER	
2		2		2		2		Drawing	
3		3		3		3		Drawing	
4		4		4		4		Drawing	
5		5		5		5		Drawing	
6		6		6		6		Drawing	

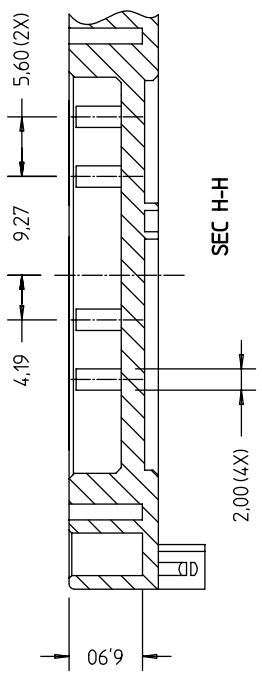
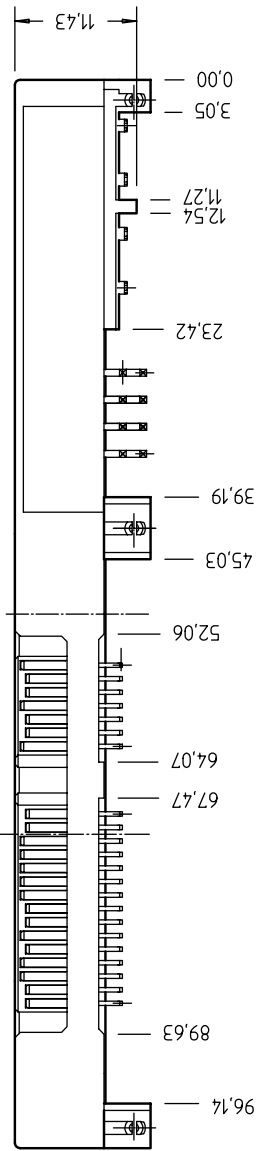
PRODUCT NO  
10036692-001LF



RECOMMENDED PCB LAYOUT



SEC G-G



SEC H-H

mat'l. code		surface	tolerance	projection	product family	SATA PLUG
ISO 1302	ISO 406 ISO 1101	ISO 1302	ISO 406 ISO 1101	ISO 1302	title	SATA COMBO PLUG
tolerances unless otherwise specified		angles	linear	scale 15 : 1	dwg no 10036692	
A					sheet 3 of 3 size A4	
B		dr	R. CRASTA 14JAN04		type CUSTOMER Drawing	
C		engr	R. CRASTA 27SEP06			
		chr	R. CRASTA 27SEP06			
		appd	JOEY NG 27SEP06			
sheet index	revision sheet					