

International + Linears

Summary:

- World-wide ac input ranges and safety standards
- Industry standard packages
- Commercial UL/CSA TUV/IEC approved—models to UL/CSA 60950; EN/IEC60950-1
- Burn-in with cycling; 3-year warranty
- Capacitors have highest CV & ripple current ratings
- Medical Approved to UL2601-1/60601-1, IEC60601-1 and CSA601.1
- Medical leakage 10 μ A
- MTBF 200,000+ hours per MIL-HDBK-217D (most units)
- All electrolytic caps rated at 105°C
- Transformer insulation meets Class F (155°C)
- Exceed FCC and CISPR22, Class B conducted emissions
- RoHS Compliant models available (G suffix)
- $\text{C}\epsilon$ marked to LVD



SPECIFICATIONS

| |
|---|
| <p>Ac Input 100, 120 and 240 Vac: +10%, -13%; 215 Vac: +12%, -11%; 47 to 63Hz. Tolerance for 230 Vac operation is +15%, -10%. Derate output current 10% for 50 Hz operation.</p> |
| <p>Dc Output See voltage rating chart. Adjustment range \pm5% minimum except HA series.</p> |
| <p>Line Regulation \pm0.05% for a 10% change.</p> |
| <p>Load Regulation \pm 0.05% for a 50% load change.</p> |
| <p>Output Ripple 3 mV +0.05% of output voltage, peak to peak maximum. All "3-terminal regulator" outputs: 3 mV +0.2% peak to peak maximum.</p> |
| <p>Transient Response <50 microseconds for 50% load change.</p> |
| <p>Short Circuit Protection Automatic current limit/foldback.</p> |
| <p>Overvoltage Protection Built-in on all 5 V models, set at 6.2 V \pm0.4 V. Other models use optional over-voltage protection.</p> |

| |
|---|
| <p>Remote Sensing Provided on all models; open sense lead protection built-in (except HA & HTAA series).</p> |
| <p>Stability \pm0.05% for 24 hours after warmup.</p> |
| <p>Temperature Rating 0 to 50°C full rated, derated linearly to 40% at 70°C.</p> |
| <p>Temperature Coefficient \pm0.01%/°C maximum.</p> |
| <p>Efficiency 5 V units: 45%; 12 and 15 V units: 55%; 20 and 24 V units: 60%.</p> |
| <p>Logic Inhibit and Current-Share F & G models.</p> |
| <p>Medical Stock and Vibration Per Mil-Std-810D, Method 514.3, Category 1, Procedure 1. Per Mil-Std-810D, Method 516.3, Procedure III.</p> |
| <p>Storage -40 to +85 °C.</p> |

All specifications are typical at nominal input, full load at 25°C unless otherwise stated

| Commercial Model (Single) | Medical Model | Voltage | Current | Case |
|---------------------------|---------------|---------|---------|------|
| HB2-3-A+G | | 2 V | 3 A | B |
| HC2-6-A+G | | 2 V | 6 A | C |
| HE2-18-A+G | | 2 V | 18 A | E |
| | ML5-1-OV-A | 5 V | 1.0 A | L |
| HA5-1.5-OV-A+G | | 5 V | 1.5 A | B |
| HB5-3-OV-A+G | | 5 V | 3 A | B |
| HC5-6-OV-A+G | | 5 V | 6 A | C |
| HN5-9-OV-A+G | | 5 V | 9 A | N |
| HD5-12-OV-A+G | | 5 V | 12 A | D |
| HE5-18-OV-A+G | | 5 V | 18 A | E |
| F5-25-OV-A+*G | | 5 V | 25 A | F |
| G5-35-OV-A+ *(1) | | 5 V | 35 A | G |
| CP197-A+G | | 5 V | 50 A | G |
| | ML12-0.5-A | 12 V | 0.5 A | L |
| HA15-0.9-A+ (12 V)G | | 12 V | 0.9 A | B |
| HB12-1-7-A+G | MB12-1-7-A | 12 V | 1.7 A | B |
| HC12-3.4-A+G | MC12-3.4-A | 12 V | 3.4 A | C |
| HN12-5.1-A+G | | 12 V | 5.1 A | N |
| HD12-6.8-A+G | MD12-6.8-A | 12 V | 6.8 A | D |
| HE12-10-2-A+G | | 12 V | 10.2 A | E |
| | | | | |
| | ML15-0.4-A | 15 V | .4 A | L |
| HA15-0.9-A+G | | 15 V | 0.9 A | B |
| HB15-1.5-A+G | MB15-1.5-A | 15 V | 1.5 A | B |
| HC15-3-A+G | MC15-3-A | 15 V | 3 A | C |
| HN15-4.5-A+G | | 15 V | 4.5 A | N |
| HD15-6-A+G | MD15-6-A | 15 V | 6 A | D |
| HE15-9-A+G * | | 15 V | 9 A | E |
| F15-15-A+G * | | 15 V | 15 A | F |
| | | | | |
| HA24-0.5-A+G | | 24 V | 0.5 A | B |
| HB24-1.2-A+G | MB24-1.2-A | 24 V | 1.2 A | B |
| HC24-2.4-A+G | MC24-2.4-A | 24 V | 2.4 A | C |
| HN24-3.6-A+G | | 24 V | 3.6 A | N |
| HD24-4.8-A+G | MD24-4.8-A | 24 V | 4.8 A | D |
| HE24-7.2-A+G * | | 24 V | 7.2 A | E |
| F24-12-A+G * | | 24 V | 12 A | F |
| HA24-0.5-A+ (28 V)G | | 28 V | 0.5 A | B |
| HB28-1-A+G | MB28-1-A | 28 V | 1 A | B |
| HC28-2-A+G | MC28-2-A | 28 V | 2 A | C |
| HN28-3-A+G | | 28 V | 3 A | N |
| HD28-4-A+G | MD28-4-A | 28 V | 4 A | D |
| HE28-6-A+G * | | 28 V | 6 A | E |
| F24-12-A+(28 V)G * | | 28 V | 10 A | F |
| HB48-0.5-A+G | | 48 V | 0.5 A | B |
| HC48-1-A+G | | 48 V | 1 A | C |
| HD48-3-A+G ** | | 48 V | 3 A | D |
| HE48-4-A+G | | 48 V | 4 A | E |
| F48-6-A+G * | | 48 V | 6 A | F |

Notes:

1. All single output models have isolated outputs.
2. Model G5-50-OV-A+ not RoHS compliant

| Commercial Model (Dual) | Medical Model | Output 1 | Output 2 | Case |
|-------------------------|---------------|-------------------------|--------------------------|------|
| HAA5-1.5-OV-A+G | | 5 V @ 1.5 A | 5 V @ 1.5 A | AA |
| HBB5-3-OV-A+G | | 5 V @ 3 A | 5 V @ 3 A | BB |
| HCC5-6-OV-A+G | | 5 V @ 6 A | 5 V @ 6 A | CC |
| HAA512-A+G | MAA512-A | 5 V @ 2 A | 9 to 15 V (adj) @ 0.5 A | AA |
| HBB512-A+G | MBB512-A | 5 V @ 3 A | 9 to 15 V (adj) @ 1.2 A | BB |
| HCC512-A+G ** | MCC512-A | 5 V @ 6 A | 9 to 15 V (adj) @ 2.5 A | CC |
| HAA524-A+G ** | MAA524-A | 5 V @ 2 A | 18 to 24 V (adj) @ 0.3 A | AA |
| HBB524-A+G | MBB524-A | 5 V @ 3 A | 18 to 24 V (adj) @ 0.8 A | BB |
| HCC524-A+G | MCC524-A | 5 V @ 6 A | 18 to 24 V (adj) @ 2 A | CC |
| HAD12-0.4-A+G | | +12 V @ 0.4 A | -12 V @ 0.4 A | B |
| | MLL12-0.25-A | +12 V @ 0.25 A | -12 V @ 0.25 A | L |
| | MLL15-0.2-A | +15 V @ 0.2 A | -15 V @ 0.2 A | L |
| HAD15-0.4-A+G | | +15 V @ 0.4 A | -15 V @ 0.4 A | B |
| HAA15-0.8-A+G | MAA15-0.8-A | +15 V @ 0.8 A | -15 V @ 0.8 A *** | AA |
| HBB15-1.5-A+G | MBB15-1.5-A | +15 V @ 1.5 A | -15 V @ 1.5 A *** | BB |
| HCC15-3-A+G | MCC15-3-A | +15 V @ 3 A | -15 V @ 3 A *** | CC |
| HDD15-5-A+G | | +15 V @ 5 A | -15 V @ 5 A *** | E |
| HAA24-0.6-A+G | | +18 to 24 V @ 0.4/0.6 A | -18 to 24 V @ 0.4/0.6 A | AA |
| CP323-A+G | | +5 V @ 2 A | +12 V @ 4 A | BB |

** May require fan cooling

*** No. 2 output usable at -5 V, rate at 1/2 of 15 V current rating.

| Commercial Model (Triple) | Medical Model | Output 1 | Output 2 | Output 3 | Case |
|---------------------------|---------------|-------------|-------------------------|-----------------------------|------|
| | MTLL-5W-A | 5 V @ 0.5 A | +12 to 15 V @ 0.1 A | -12 to 15 V @ 0.1 A *** | L |
| HTAA-16W-A+G | MTAA-16W-A | 5 V @ 2 A | +12 to 15 V @ 0.4/0.4 A | -12 to 15 V @ 0.4/0.4 A *** | AA |
| HBAA40W-A+G | MBAA40W-A | 5 V @ 3 A | +12 to 15 V @ 1/0.8 A | -12 to 15 V @ 1/0.8 A *** | BAA |
| HCB105W-A+G ** | | 5 V @ 3 A | +12 to 15 V @ 3.4/3.0 A | -12 to 15 V @ 3.4/3.0 A *** | CBB |
| HCAA60W-A+G | MCAA60W-A | 5 V @ 6 A | +12 to 15 V @ 1/0.8 A | -12 to 15 V @ 1/0.8 A *** | D |
| HCB75W-A+G | MCB75W-A | 5 V @ 6 A | +12 to 15 V @ 1.7/1.5 A | -12 to 15 V @ 1.7/1.5 A *** | CBB |
| CP131-A+G | | 5 V @ 8 A | +12 to 15 V @ 1.7/1.5 A | -12 to 15 V @ 1.7/1.5 A *** | NBB |
| HDBB105W-A+G * | | 5 V @ 12 A | +12 to 15 V @ 1.7/1.5 A | -12 to 15 V @ 1.7/1.5 A *** | DBB |
| HDCC150W-A+G * | | 5 V @ 12 A | +12 to 15 V @ 3.4/3 A | -12 to 15 V @ 3.4/3 A *** | DCC |

*Requires fan cooling

** May require fan cooling

***No. 3 output usable at -5 V, rate at 1/2 of 15 V current rating.

Outputs rated at 9 to 15V, 12 to 15V, or 18 to 24V are user adjustable outputs.

All outputs without + or - sign are isolated outputs and may be referenced as either a positive or negative output.

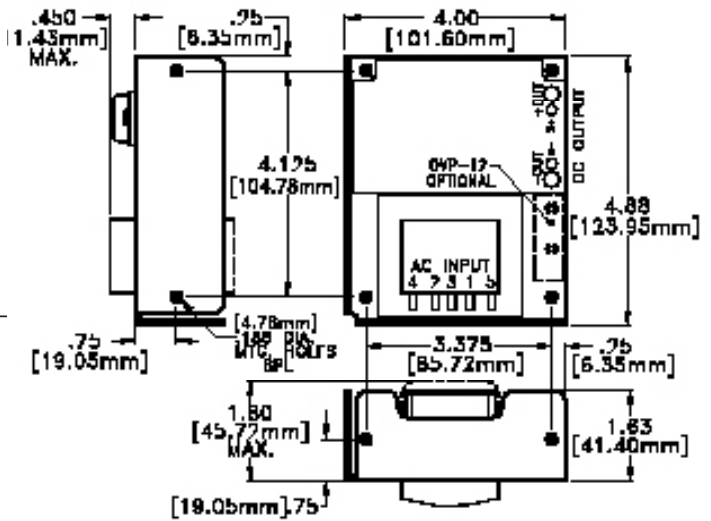
FIXED DISK SERIES

Both models without UL, CSA or TUV

| Commercial Model (Dual) | Output 1 | Output 2 | Output 3 | Case |
|-------------------------|------------|---------------------|-------------------|------|
| CP379-A+G | +5 V @ 6 A | + 24 V @ 3.5/6 A PK | -5 or -12 @ 1.2 A | NBB |
| CP498-A+G | +5 V @ 6 A | + 12 V @ 5/10 A PK | -12 V @ 0.5 A | NBB |



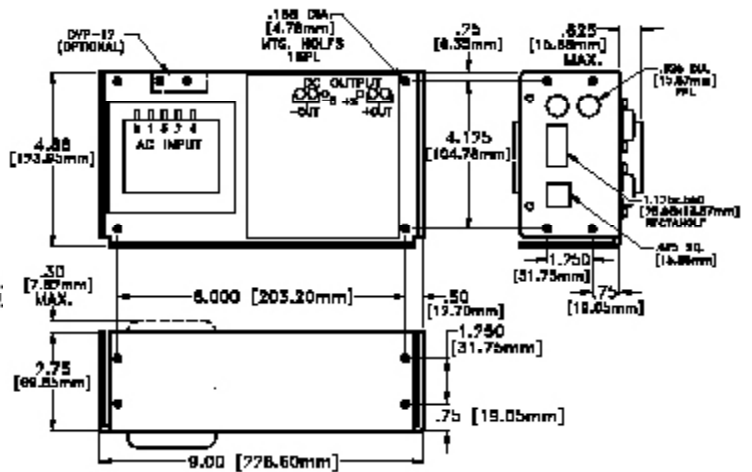
A CASE (WT. 1 LB.)



B CASE (WT. 2 LB.)



C CASE (WT. 4 LB.)



D CASE (WT. 7.5 LB.)



AA CASE (WT. 2 LB.)

BB CASE (WT. 4 LB.)

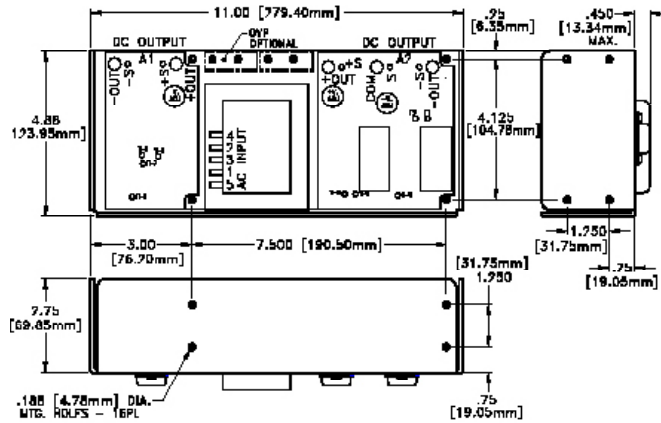
CC CASE (WT. 7 LB.)



BAA CASE (WT. 5 LB.)



CBB CASE (WT. 8 LB.)



DBB CASE (WT. 11 LB.)



DCC CASE (WT. 12 LB.)



NBB CASE (WT. 12 LB.)



SL Power Electronics, 6050 King Drive, Bldg. A, Ventura, CA 93003, USA. Phone:(805) 486-4565 Fax:(805) 487-8911 www.slpower.com. Rev. 4/710.
 Data Sheet © 2010 SL Power Electronics Corp. The information and specifications contained in this data sheet are believed to be correct at time of publication.
 However, SL Power accepts no responsibility for consequences arising from reproduction errors or inaccuracies. Specifications are subject to change without notice.