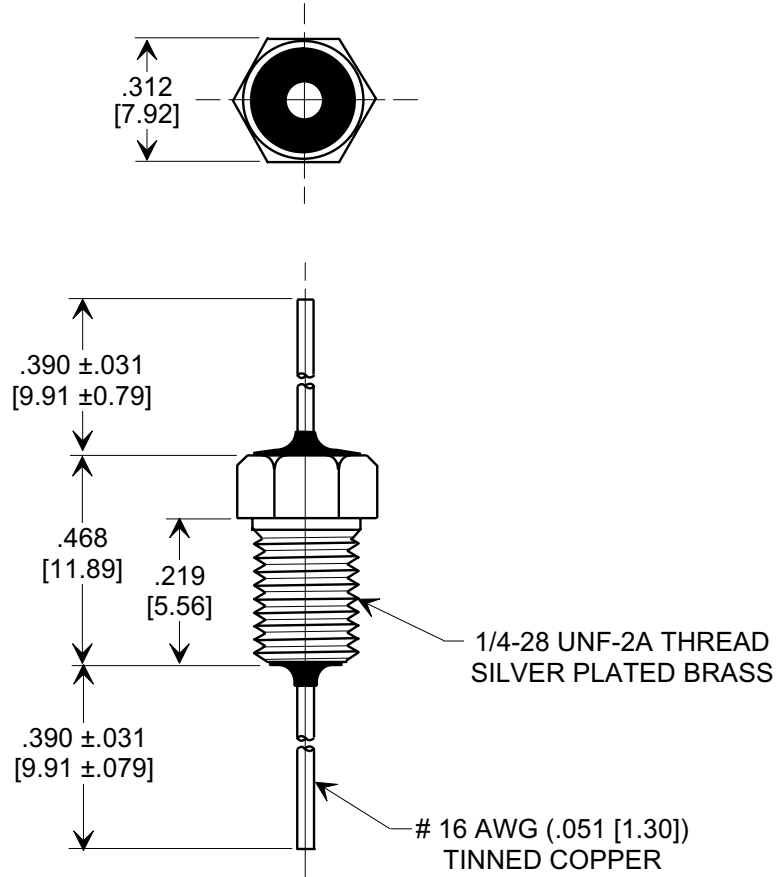
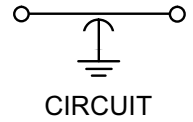
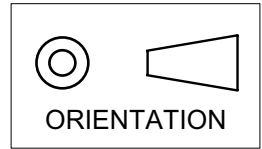


MARKETING SALES DRAWING

DIMENSIONS IN INCHES - DO NOT SCALE THIS DRAWING
DIMENSIONS IN METRIC - []

This drawing is the property of Tusonix, Inc., and may not be used, reproduced, published or disclosed to others without expressed authorization by Tusonix Inc.

Electrical Testing
 per Tusonix standard
 test plans and Mil-Std-202
 Test Methods.



SPECIFICATIONS

TUSONIX STYLE:	2443-008
VALUE:	1500 pF
VALUE TOL.:	± 20%
TEMP. COEF.:	X5S
RATING:	500 WVDC @ 85°C
OPERATING RANGE:	-55°C TO +85°C
DWV (VDC)	1500
I.R. MIN. @ 100 (VDC)	10 G Ω

NOTES:

- TUSONIX STANDARD PART NUMBER: 2443-008-X5S0-152M. TUSONIX RoHS COMPLIANT PART NUMBER: 2443-008-X5S0-152M LF. CUSTOMER MUST SPECIFY STANDARD OR RoHS PART NUMBER WHEN ORDERING.
- PART MARKING: TRADEMARK, CAPACITANCE AND TOLERANCE CODE: STANDARD PART: BLACK INK. RoHS PART: GREEN INK.
- SUPPLIED WITH SILVER PLATED HEX NUT AND LOCK WASHER, BULK PACKAGED.

REVISION RECORD Original Release C.O. 19980728-3-01 ADDED METRIC, DWV & I.R. ADDED & REVISED NOTES. S.M. 12-15-06 20061215-1-01	0	1	--TOLERANCES-- Unless Otherwise Specified	Title BUSHING TYPE FEED-THRU CAPACITOR	
	DECIMAL ± .015 [0.38]		Drawn S.M. 07-29-98		
	ANGLES ±		Approved J.Mc. 07-29-98		
	TUSONIX TUCSON, ARIZONA		A	2443-008-X5S0-152M	