



## SOLARLOK

Connectivity Systems for PV Installers

 **Tyco Electronics**  
Our commitment. Your advantage.

# Building a greener tomorrow

Tyco Electronics is committed to bringing the promise of renewable energy to the world. The SOLARLOK product offering provides a simple and reliable interconnection of solar systems. Tyco Electronics has worked with leaders in the solar industry to lower costs, increase reliability, and devise new and innovative ways to create and apply solar products.

# Early involvement pays off in competition advantage

With approximately 7,000 engineers and 11 global design centers, plus manufacturing facilities in approximately 25 countries, we put a premium on innovation when it comes to helping companies solve tough design problems. Talking to us early on in your design cycle will give you the full benefit of our expertise.

## We can help you:

Shorten the design cycle

Reduce costs

Increase reliability

Design for manufacturability

In short, we can help you achieve a sustainable competitive advantage. Whether it's showing you the best existing products, offering a value added solution or designing a new product, our commitment to advanced engineering and world-class manufacturing delivers innovation that can advance any lighting project. Our Electronic Components segment is a world leader in passive electronic components, including connectors and interconnect systems, relays, switches, circuit protection devices, touchscreens, sensors, and wire and cable. Tyco Electronics' ability to serve your present and future requirements is realized through the synergies of a strong R&D program and our expertise in materials science, product design and process engineering, all supported by our network of 5000-plus knowledgeable, sales representatives and customer service personnel.

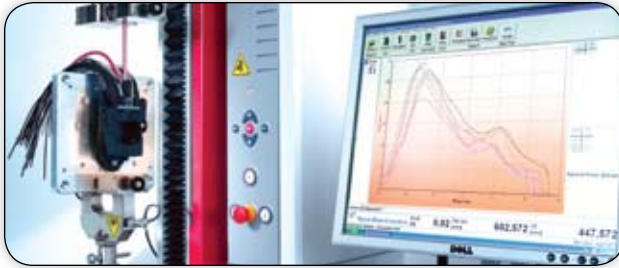


### TE Global Design Centers

- 1 : Harrisburg, PA : USA
- 2 : Greensboro/Winston-Salem, NC : USA
- 3 : Menlo Park, CA : USA
- 4 : Wilsonville, OR : USA
- 5 : Eatontown, NJ : USA
- 6 : Kawasaki, Japan
- 7 : Bensheim, Germany
- 8 : Shanghai, China
- 9 : Kessel-Lo, Belgium
- 10 : s'Hertogenbosch, Netherlands
- 11 : Kyungsan, Korea

### Solar Manufacturing Facilities

- A : Trutnov, Czech Republic
- B : Greensboro, NC : USA
- C : Empalme, Mexico
- D : Hermosilla, Mexico
- E : DongGuann, China
- F : Shanghai, China
- G : QingDao, China

**Mechanical, Environmental and Electrical Testing Capabilities**

**Mechanical Testing Equipment**

Force-deflection curves are generated to verify that spring contact properties meet design criteria.


**Electrical and Thermal Test Equipment**

Contact resistance and temperature rise are measured and recorded automatically. These parameters help to establish/verify current carrying capacity, and de-rating curves. Test samples are isolated to minimize the influence of external variables such as air movement.


**Climate cabinets and temperature shock chambers**

Components/assemblies are exposed to cold, heat, moisture, and temperature change. Thermal shock is accomplished with the 2-chamber method. Environmental chambers operate from -70°C to +180°C enabling simulation of real-world conditions.


**4-component pollutant gas unit/crimp validation**

Slow-motion bending and vibration testing simulates line movements in the wire, stressing the crimped termination. Industrial atmospheres are generated with a gas mixture of SO<sub>2</sub>, H<sub>2</sub>S, NO<sub>2</sub> and Cl<sub>2</sub>.


**3D X-ray computer tomography**

3D X-ray computer tomography provides high resolution three-dimensional non-destructive analysis capability.

**Manufacturing Capabilities**

**Tyco Electronics  
manufactures the  
SOLARLOK product  
line on state of the  
art manufacturing  
equipment.**

The Trutnov, Czech Republic facility offers a repeatable manufacturing process which produces a 100% automatically inspected and electrically tested junction box. For quality control purposes, each junction box is “laser etched” with a unique serial number.

Our electrical test equipment has four independent heads to automatically test each connection rail and diode in the popular four rail junction box. Assembly equipment automatically verifies the production of the cable assemblies and attachment to the junction box. The true position of the contact in the mating coupler housing and proper torque of the screw nut are some of the critical process checks made to each unit. A vision system is incorporated into the junction box assembly equipment. Polarization and molded features are inspected by the same vision system to contribute to the production of a quality product and a repeatable manufacturing process.

**The SOLARLOK product is currently manufactured in Europe, Asia and the USA.**



Tyco Electronics Manufacturing Facility in Trutnov, Czech Republic

## The SOLARLOK Product Concept

### System Features

#### Junction Box

- Variable wiring options
- Simple, fast and cost-effective assembly
- Flat, low profile design
- High current carrying capacity
- Good thermal balance
- Connectorized or direct wire configurations
- Up to four outputs possible
- Up to six internal rails
- Customer-specific solutions
- TÜV and UL approved

#### Cable Couplers

- Simple on-site processing
- Mating safety provided by keyed housings
- Semi-automatic assembly capability possible
- Multiple plugging and unplugging cycles
- Accommodates solar cable with different insulation diameters
- High current carrying capacity
- Wide temperature operating range
- TÜV and UL approved

#### Solar Cable

- Dual wall insulation
- Electron beam cross-linked
- Excellent resistance to U.V., water, ozone, fluids, salt, general weathering
- Excellent resistance to abrasion
- Halogen free, flame retardant, low toxicity
- Very low smoke emissions
- Excellent flexibility and stripping performance
- Temperature Rating : -40°C up to +125°C
- Nominal Voltage : Vo/V 1800/3000 VAC, 600 VDC
- Test Voltage : 6KV, 50Hz, 5min
- Bending Radius :  $\geq 5 \times$  outer diameter
- TÜV and UL approved



## Simple and Reliable Interconnection of Solar Systems

Market expansion of the formerly regulated energy supply sector, increased global environmental awareness and governments committing themselves to more stringent environmental targets have opened up new opportunities for the photovoltaic industry.

Having served a niche market in the past, the photovoltaics industry now has the opportunity to move into mass production, realizing economies of scale and gaining a greater market share of the world's energy mix.

Tyco Electronics has contributed to the establishment of this environmentally-friendly technology with the introduction of its SOLARLOK connector system.

The SOLARLOK connector system delivers a flexible system solution for easy and reliable interconnections from photovoltaic modules to the DC/AC converter. The entire system concept is based on cost-effective and reliable processing of individual interconnection system components. This significantly reduces installation costs of the solar energy system.

The junction box concept is based on a flexible, open system structure, which allows serial as well as parallel interconnection via direct wire connect or separable connectors. Within the junction box, up to six termination places rails are available for photovoltaic foil connection. If required by the customer, the junction box can be delivered pre-configured with diodes, jumpers, plug connectors, and solar cable pigtails.

The male and female cable couplers were designed for high voltage and high current-carrying capacity in addition to the well-established IP 67 sealing requirement in the photovoltaic industry. Mating safety is provided by polarity keyed housings, fully shrouded contacts, reliable high cycle life, and a squeeze to release connection system. In addition, a wide temperature range and fulfillment of worldwide standards for photovoltaic connection systems complement the robust product specification.

**Table of Contents**

<b>Combiner Box</b>	Combiner Box.....	page : 8
<b>Labels</b>	Labels .....	page : 9
<b>Connectors</b>	Cable Coupler : Standard Line .....	page : 10
	Cable Coupler : Slim Line .....	page : 11
	Contacts .....	page : 12
	T-Branch Connector .....	page : 13
	AC Inverter Connector .....	page : 14
	Field Wiring, Switching and Protection.....	page : 15
<b>Solar Cables</b>	Solar Cables .....	page : 16-17
	Wiring Example with Extension Cables .....	page : 18
<b>Grounding System</b>	Grounding System : Grounding Bolt.....	page : 19
	Grounding System : Grounding Connectors.....	page : 20
<b>Connectors</b>	Interconnection Examples.....	page : 22-23
<b>Tooling</b>	Application Tooling .....	page : 24-25
<b>Guidelines</b>	Assembly and Installation Guidelines .....	page : 26-29
	Numerical Index.....	page : 30-31

- 1 Junction Box
- 2 Female Cable Coupler
- 3 Male Cable Coupler
- 4 Grounding Connector
- 5 Combiner Box
- 6 Caution Solar Circuit Label
- 7 DC Disconnect Label
- 8 Solar Disconnect Label
- 9 Solar Wire



1



2



4



6

CAUTION: SOLAR CIRCUIT





3



5



9



7

**DC Disconnect**  
WARNING - Electrical Shock Hazard  
DO NOT TOUCH TERMINALS  
Terminals on the front and Load side  
may be energized in the Open Position.  
DC VOLTAGE IS ALWAYS PRESENT WITH  
SOLAR MODULES ARE EXPOSED TO SUNLIGHT



8

**Solar Disconnect**  
WARNING - Electrical Shock Hazard  
DO NOT TOUCH TERMINALS  
Terminals on the front and Load side  
may be energized in the Open Position.

### Combiner Box

#### Technical Data

Output Wire : Cu ONLY, 90°C, 14-4 AWG  
 Maximum Voltage : 600 V  
 Maximum Output Current : 75 A  
 Maximum Continuous Current : 60 A  
 Maximum Current Per String : 15 A  
 Maximum Fuse Rating : 15 A  
 Maximum Module Isc Per String : 9.6 A  
 Enclosure Type : NEMA 3  
 Ambient Temperature  
 : -35°C to 50°C [-31°F to 122°F]  
 Negative Output Terminal Torque  
 : 4 Nm [35 in-lbs]  
 Positive Output Terminal Torque  
 : 14-10 AWG = 4 Nm [35 in-lbs]  
 : 8 AWG = 4.5 Nm [40 in-lbs]  
 : 6.4 AWG = 5.1 Nm [45 in-lbs]  
 Ground Terminal Block Torque  
 : 4Nm [35 in-lbs]

#### Features & Benefits

- Combines up to 5 PV strings
- Converts to standard wires
- Completely pre-assembled
- Plug & play design provides labor savings and minimizes installer error during installation
- Uses existing products currently produced by Tyco Electronics
- UL 1741 pending



SOLARLOK combiner box assembly is used to combine up to five strings in a preterminated connectorized weather-resistant enclosure to meet National Electric Code (NEC) requirements for series fusing of photovoltaic (PV) modules (solar panels).

The combiner box assembly consists of a box, cover (with hinges), transparent dead front lid (under the cover), and 10 pre-terminated SOLARLOK connectors each with a removable dust cover. The box features 4 knockouts (for output wiring), lock tab, mounting slots and pre-wired grounding clip.

The interior of the box holds 5 holder fuse blocks pre-wired to the positive SOLARLOK connectors, 5 terminal blocks pre-wired to the negative SOLARLOK connectors, and an equipment terminal block used to ground the equipment. Fuses are not included.

**Part Number : 1954283-1**

## Labels



### Solar Identification Labels

Quantity/Roll	TE Ordering Description	SAP Part Number	Label Description
5 rolls of 100	SOL-SD-104076-4-0.1	CN4616-000	Solar Disconnect
	SOL-DCD-104100-4-0.1	CN4619-000	DC Disconnect
	SOL-DPS-104019-4-0.1	CN4618-000	Warning - Dual Power Sources
	SOL-ESH-104019-4-0.1	CN4617-000	Warning - Electric Shock Hazard
500	SOL-SD-104076-4-0.5	CL3803-000	Solar Disconnect
	SOL-DCD-104100-4-0.5	CL3806-000	DC Disconnect
	SOL-DPS-104019-4-0.5	CL3804-000	Warning - Dual Power Sources
	SOL-ESH-104019-4-0.5	CL3805-000	Warning - Electric Shock Hazard



### Solar Rating Labels

Quantity/Roll	TE Ordering Description	SAP Part Number	Label Description
5 rolls of 100	SOL-SRS-127508N-1-4	CR0780-000	System Inverter Rating
	SOL-CP-127508N-1-X	CR0781-000	Laminate for above label
	SOL-SRS-127698N-1-4	CR0782-000	System Charge Controller rating
	SOL-CP-127698N-1-X	CR0783-000	Laminate for above label
	SOL-SRS-812120N-1-4	CR0784-000	Generic System Rating
	SOL-CP-812120N-1-X	CR0785-000	Laminate for above label
500	SOL-SRS-127508N-5-4	CR0786-000	System Inverter Rating
	SOL-CP-127508N-5-X	CR0787-000	Laminate for above label
	SOL-SRS-127698N-5-4	CR0788-000	System Charge Controller Rating
	SOL-CP-127698N-5-X	CR0789-000	Laminate for above label
	SOL-SRS-812120N-5-4	CR0791-000	Generic System Rating
	SOL-CP-812120N-5-X	CR0792-000	Laminate for above label

Printer : T312M and/or T212M  
(while they last)

Ribbon : 1330-0619-10

Software : WinTotal, Version 5.0

Note : Pre-print services are also available for "peel and stick" application with all pertinent electrical information. Inquire with Tyco Electronics for further information regarding this service. (For Americas only)



### Solar Reflective Labels

Quantity/Roll	TE Ordering Description	SAP Part Number	Label Description
500	SOL-SEC-305254-4-0.1	CN6557-000	CAUTION : SOLAR ELECTRICAL SYSTEM
	SOL-CSC-159254-4-0.1	CN4615-000	CAUTION : SOLAR CIRCUIT

## Cable Coupler : Standard Line



### Technical Data

#### Electrical Features

##### Current Rating

: Up to 25 A for 2.5 mm<sup>2</sup>  
 : Up to 30 A for 4.0 mm<sup>2</sup>  
 : Up to 35 A for 6.0 mm<sup>2</sup>

Withstanding Voltage : 1000 V DC

Contact Resistance : 1 mΩ typical

#### Mechanical Features

Dimensions : Diameter 18 mm (.71 inch)

Protection Degree : IP 67, mated

Contact Finish : Silver plated

#### Standards

UL approved

TÜV approved



### Technical Data

#### Electrical Features

Current Rating : Up to 25 A

Withstanding Voltage : 1000 V DC

Contact Resistance : ≤ 5 mΩ, mΩ typical

#### Mechanical Features

Dimensions : Diameter 18 mm (.71 inch)

Protection Degree : IP 67, mated

Contact Finish : Silver plated

#### Standards

UL approved

TÜV approved

### Female Cable Coupler (kit with screw-machined contact)

Gen 3 Seal Part Number	Gen 2 Seal Part Number	Wire Size		Keying	Package Quantity
		Cable Outer Diameter 5.5 mm to 8.0 mm	Cable Outer Diameter 4.5 mm to 6.0 mm		
1394462-1	4-1394462-6			Plus	100
1394462-3	4-1394462-8			Plus	100
5-1394462-5	6-1394462-3			Plus	100
1394462-2	4-1394462-7			Minus	100
1394462-4	4-1394462-9			Minus	100
5-1394462-6	6-1394462-4			Minus	100

### Female Cable Coupler (without contact : only housing and sealing)

Gen 3 Seal Part Number	Gen 2 Seal Part Number	Wire Size		Keying	Package Quantity
		Cable Outer Diameter 5.5 mm to 8.0 mm	Cable Outer Diameter 4.5 mm to 6.0 mm		
1740940-3	1-1740940-3			Plus	2,500
1740940-4	1-1740940-4			Minus	2,500



### Male Cable Coupler (kit with screw-machined contact)

Gen 3 Seal Part Number	Gen 2 Seal Part Number	Wire Size		Keying	Package Quantity
		Cable Outer Diameter 5.5 mm to 8.0 mm	Cable Outer Diameter 4.5 mm to 6.0 mm		
1394461-1	1394461-7			Plus	100
1394461-3	7-1394461-0			Plus	100
6-1394461-5	7-1394461-3			Plus	100
1394461-2	1394461-8			Minus	100
1394461-4	7-1394461-1			Minus	100
6-1394461-6	7-1394461-4			Minus	100
6-1394461-1	6-1394461-3			Neutral	100
6-1394461-2	7-1394461-2			Neutral	100
6-1394461-4	7-1394461-5			Neutral	100

### Male Cable Coupler (without contact : only housing and sealing)

Gen 3 Seal Part Number	Gen 2 Seal Part Number	Wire Size		Keying	Package Quantity
		Cable Outer Diameter 5.5 mm to 8.0 mm	Cable Outer Diameter 4.5 mm to 6.0 mm		
1740939-5	--			Plus	2,500
1740939-4	--			Minus	2,500
1740939-2	1-1740939-2			Neutral	2,500



## Cable Coupler : Slim Line



### Female Cable Coupler (kit with screw-machined contact)

Part Number	Wire Size		Keying	Package Quantity
	mm2	AWG		
1987559-1	2.5	14	Plus	100
1-1987559-1	4.0	12	Plus	100
1987559-2	2.5	14	Minus	100
1-1987559-2	4.0	12	Minus	100

### Technical Data

#### Electrical Features

##### Current Rating

: Up to 25 A for 2.5 mm<sup>2</sup>  
: Up to 30 A for 4.0 mm<sup>2</sup>

Withstanding Voltage : 1000 V DC

Contact Resistance : 1 mΩ typical

#### Mechanical Features

Dimensions : Diameter 18 mm (.71 inch)

Protection Degree : IP 67, mated

Contact Finish : Silver plated

#### Standards

TÜV approved

### Female Cable Coupler (without contact : only housing and sealing)

Part Number	Wire Size		Keying	Package Quantity
	mm2	AWG		
1987287-1	--	--	Plus	2,500
1987287-2	--	--	Minus	2,500



### Male Cable Coupler (kit with screw-machined contact)

Part Number	Wire Size		Keying	Package Quantity
	mm2	AWG		
1987558-1	2.5	14	Plus	100
1-1987558-1	4.0	12	Plus	100
1987558-2	2.5	14	Minus	100
1-1987558-2	4.0	12	Minus	100
1987558-3	2.5	14	Neutral	100
1-1987558-3	4.0	12	Neutral	100

### Technical Data

#### Electrical Features

Current Rating : Up to 25 A

Withstanding Voltage : 1000 V DC

Contact Resistance : ≤ 5 mΩ, mΩ typical

#### Mechanical Features

Dimensions : Diameter 18 mm (.71 inch)

Protection Degree : IP 67, mated

Contact Finish : Silver plated

#### Standards

TÜV approved

### Male Cable Coupler (without contact : only housing and sealing)

Part Number	Wire Size		Keying	Package Quantity
	mm2	AWG		
1987286-4	--	--	Plus	2,500
1987286-5	--	--	Minus	2,500
1987286-6	--	--	Neutral	2,500



## Contacts

### Technical Data

#### Materials

Contact : Silver plated, copper alloy

#### Electrical Features

##### Current Rating

: Up to 25 A for 2.5 mm<sup>2</sup>

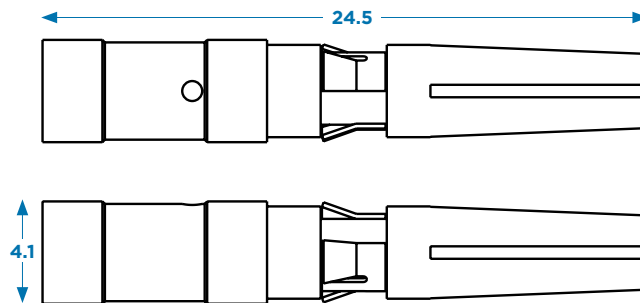
: Up to 30 A for 4.0 mm<sup>2</sup>

: Up to 35 A for 6.0 mm<sup>2</sup>

### Female Contacts (Screw-Mounted)

Material : Copper alloy, silver plated

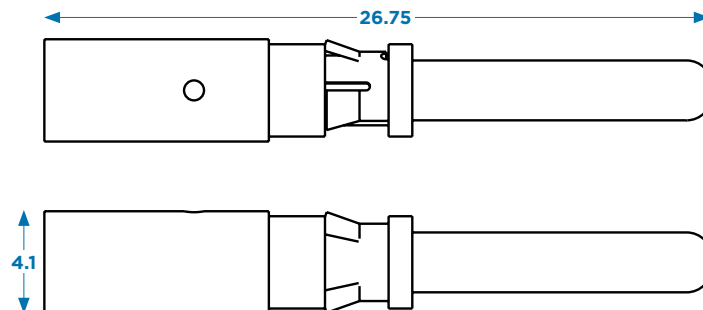
Part Number	Wire Size (mm <sup>2</sup> )	Wire Size (AWG)	Package Quantity
1987281-1	2.5	--	100
1987281-2	4.0	--	100
1987281-3	6.0	AWG 10	100
1987281-4	--	AWG 14	100
1987281-5	--	AWG 12	100



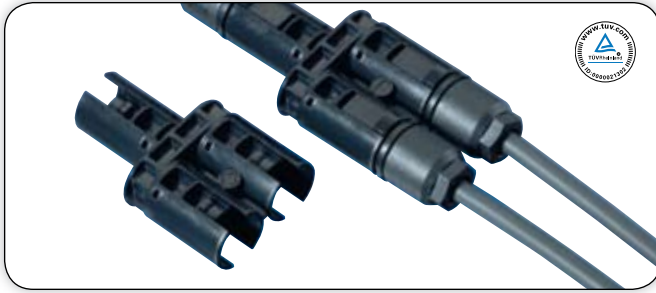
### Male Contacts (Screw-Mounted)

Material : Copper alloy, silver plated

Part Number	Wire Size (mm <sup>2</sup> )	Wire Size (AWG)	Package Quantity
1987280-1	2.5	--	100
1987280-2	4.0	--	100
1987280-4	6.0	AWG 10	100
1987280-3	--	AWG 14	100
1987280-5	--	AWG 12	100



## T-Branch Connector



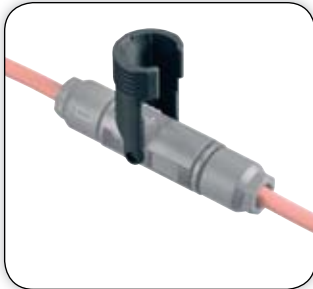
### Parallel Interconnection using T-Branch Connector (Male-to-Male)

Part Number	Keying	Package Quantity
1534611-1	Plus	20
1534611-2	Minus	20



### Parallel Interconnection using T-Branch Connector (Female-to-Male)

Part Number	Keying	Package Quantity
1740277-1	Plus	20
1740277-2	Minus	20



### Safety + Clip (Optional Connector Latch Locking Clip Standard)

Part Number	Description	Package Quantity
1534226-1	Standard	100
2106207-1*	NEC 2008	100

\*Instruction Sheet : 408-10296

Female Housing : with strap



Female Housing : no strap



### Connector Dust Covers

Part Number	Description	Package Quantity
1987423-1	Female housing cover with strap	100
1394739-1	Male housing cover with strap	100
1987424-1	Female housing no strap	100
1987419-1	Male housing no strap	100

Male Housing : with strap



Male Housing : no strap



## AC Inverter Connector

### Technical Data

#### Electrical Features

Current Rating : 25 A per Pole

Voltage Rating : 400 V

#### Mechanical Features

Protection Degree : IP67 (mated)

No. of Positions : 5 Poles

Temperature Range : -40°C up to +50°C

Wire Size Range : 2.5 mm<sup>2</sup> - 6.0 mm<sup>2</sup>

#### Standards

Approvals VDE Certified



### Panel Mount Plug

Part Number	Nut	Cable Length (5 x 4.0 mm <sup>2</sup> )	Package Quantity
1740483-1	Metal	200 mm	24
1740483-2	Plastic	200 mm	24



### Free Hanging Receptacle

Part Number	Nut	Cable Length (5 x 4.0 mm <sup>2</sup> )	Package Quantity
1740479-1	-	-	24



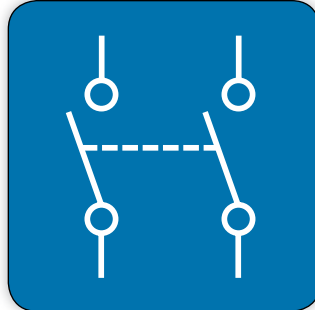
### Complete Sets

Part Number	Nut	Cable Length (5 x 4.0 mm <sup>2</sup> )	Package Quantity
1740493-1	Metal	200 mm	24
1740493-2	Plastic	200 mm	24



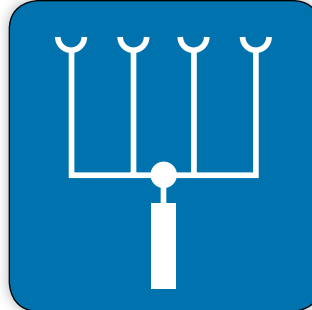
Field Wiring, Switching and Protection

Switching



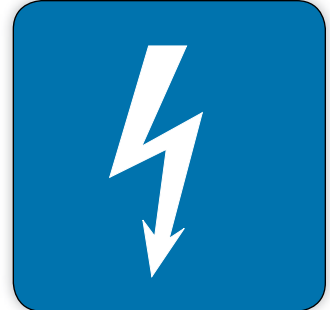
- One-/two-pole switches
- Main switch function
- Lockable
- Current up to 60 A DC
- Voltage up to 1,000 V DC

Collecting



- 2 to 6 strings input
- Cable cross section up to 6 mm<sup>2</sup>
- SOLARLOK connectors
- Current up to 60 A DC
- Voltage up to 1,000 V DC

Collecting



- Lighting protection

**Your  
Solution**



The photovoltaic integrator looks for best fit solutions to wire various types and sizes of solar generators.

The new product concept from Tyco Electronics provides this flexibility to photovoltaic integrators.

This modular product can be comprised of a switch, lighting protection, fuses or any combination of these or other commonly available components.

We can customize a product to fit your specific application. Please contact us with your requirements.

## Solar Cable : Global TÜV and UL 4703

### Technical Data

#### Material

**Conductor** : Stranded tin plated copper

**Insulation** : Electron beam cross-linked polyolefin

**Sheath** : Electron beam cross-linked halogen free polyolefin

**Color** : Black, Blue, Red

#### Electrical Features

##### Voltage Rating

(as per TÜV requirement  
600/1000 VAC, 1800 V DC)

: 1800/3000 VAC

: 2600 VDC

##### Wire Size Range

: 2.5 mm<sup>2</sup> (AWG 14)

: 4.0 mm<sup>2</sup> (AWG 12)

: 6.0 mm<sup>2</sup> (AWG 10)

#### Standards

TÜV certified according to ZPfG  
1169/08.2007 (PV1-F) : RG0021060

UL certified according to UL Outline 4703  
(PV wire, type ZKLA) : E317230

**Fire Performance** : IEC 60332-1-2, UL 1581  
1080/VW1, EN 50267-2-1/2, EN 50305

**Conductor** : IEC 60228 class 5 (stranded  
and flexible tin plated copper wire)

### Features & Benefits

- TÜV and UL approved
- Dual wall insulation
- Electron beam cross-linked
- Excellent resistance to abrasion
- Halogen free, flame retardant, low toxicity
- Excellent flexibility and stripping performance
- Wire size from 2.5 mm<sup>2</sup> up to 6.0 mm<sup>2</sup>



As part of expanding the SOLARLOK product line, Tyco Electronics produces wire that is designed to meet the harsh environmental conditions typical of photovoltaic installations. The flexible, dual wall, halogen free and cross linked solar wire offers long term stability with TÜV UL approval. Its outstanding features include: high resistance against environmental conditions such as humidity, UV-radiation and ozone. In addition, it has excellent resistance to abrasion and temperature extremes. The wire has a high dielectric withstanding voltage and due to its fine-stranded, tin plated copper conductor, it is easy to handle, bend, route, and to strip.

### Global TÜV and UL 4703

Color	Part Number	Cross Section		Conductor		Diameter (mm)	Weight (kg/km)	Reel Package (m)
		mm <sup>2</sup>	AWG	Construction no. x mm	Max Diameter (mm)			
Black	956297-4	2.5	14	50 x 0,26	1.95	6,65 +0,15/-0,1	62.5	500
	956298-4	4.0	12	56 x 0,31	2.50	6,90 +/-0,10	75.8	500
	956299-4	6.0	10	84 x 0,31	3.05	7,35 +0,3/-0,25	95.5	500
	1-956297-4	2.5	14	50 x 0,26	1.95	6,65 +0,15/-0,1	62.5	100
	1-956298-4	4.0	12	56 x 0,31	2.50	6,90 +/-0,10	75.8	100
	1-956299-4	6.0	10	84 x 0,31	3.05	7,35 +0,3/-0,25	95.5	100
Red	956297-5	2.5	14	50 x 0,26	1.95	6,65 +0,15/-0,1	62.5	500
	956298-5	4.0	12	56 x 0,31	2.50	6,90 +/-0,10	75.8	500
	956299-5	6.0	10	84 x 0,31	3.05	7,35 +0,3/-0,25	95.5	500
	1-956297-5	2.5	14	50 x 0,26	1.95	6,65 +0,15/-0,1	62.5	100
	1-956298-5	4.0	12	56 x 0,31	2.50	6,90 +/-0,10	75.8	100
	1-956299-5	6.0	10	84 x 0,31	3.05	7,35 +0,3/-0,25	95.5	100
Blue	956297-6	2.5	14	50 x 0,26	1.95	6,65 +0,15/-0,1	62.5	500
	956298-6	4.0	12	56 x 0,31	2.50	6,90 +/-0,10	75.8	500
	956299-6	6.0	10	84 x 0,31	3.05	7,35 +0,3/-0,25	95.5	500
	1-956297-6	2.5	14	50 x 0,26	1.95	6,65 +0,15/-0,1	62.5	100
	1-956298-6	4.0	12	56 x 0,31	2.50	6,90 +/-0,10	75.8	100
	1-956299-6	6.0	10	84 x 0,31	3.05	7,35 +0,3/-0,25	95.5	100



## Solar Cable : Type USE-2

### Technical Data

#### Electrical Features

Voltage Rating : 600 V DC

#### Mechanical Features

Operating Temperature : up to +90°C

#### Standards

UL certified to 854 (USE-2) : 10-14 AWG  
UL File E314122 and E314123



### Features & Benefits

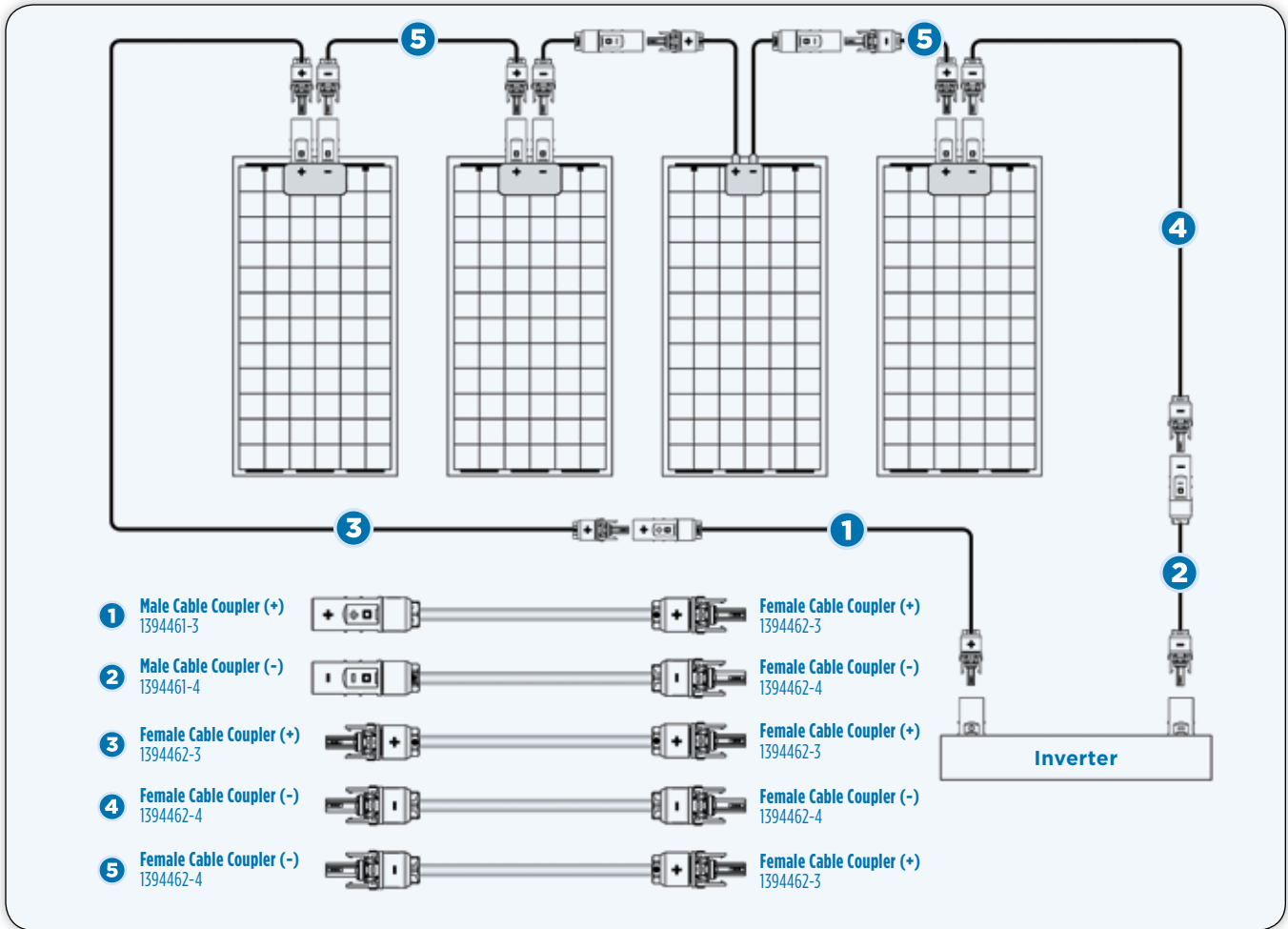
- Insulation provides resistance to U.V., water, ozone, fluids, salt, gasoline, and petroleum general weathering
- High strand count conductor provides flexibility and stripping performance
- Multiple cable diameters available

USE-2 approved solar cable - for the North American market UL approved cable is offered in 10 through 14 AWG. This cable is approved for USE-2, XHHW-2, RHW-2, or RHH. Sunlight, gasoline, and petroleum resistance make this an ideal cable for any solar installation in North America. A high strand count increases the flexibility and tinned copper wire strands ease the use of this cable.

### Type USE-2 (For US Installation), UL Approved Cable

Color	Part Number	Cross Section AWG	Diameter (inch)	Reel Package (ft)
Black	1986166-1	14	0.17	7,500
	1986166-2	14	0.17	500
	1986166-3	14	0.17	2,500
	1986165-1	12	0.19	7,500
	1986165-2	12	0.19	500
	1986165-3	12	0.19	2,500
	1986164-1	10	0.21	7,500
	1986164-2	10	0.21	500
	1986164-3	10	0.21	2,500

**Wiring Example with Extension Cables**



Configuration Example at 4.0 mm<sup>2</sup>

**Cable Assembly**

Cable Assembly Version	Part Numbers for Cable Length				
	1 m	3 m	5 m	10 m	20 m
<b>1</b>	1987376-1	1987376-2	1987376-3	1987376-4	1987376-5
<b>2</b>	1-1987376-1	1-1987376-2	1-1987376-3	1-1987376-4	1-1987376-5
<b>3</b>	2-1987376-1	2-1987376-2	2-1987376-3	2-1987376-4	2-1987376-5
<b>4</b>	3-1987376-1	3-1987376-2	3-1987376-3	3-1987376-4	3-1987376-5
<b>5</b>	4-1987376-1	4-1987376-2	4-1987376-3	4-1987376-4	4-1987376-5

More variants (cable length, wire diameter, color) upon request.



## Grounding System : Grounding Bolt

### Technical Data

#### Materials

##### Connector & Hardware

: Stainless Steel (Passivated)

#### Electrical Features

##### Short Term Current Test (UL 467)

: 6 AWG = 1530A (6 seconds)

: 8 AWG = 1180A (4 seconds)

: 10 AWG = 750A (4 seconds)

: 12 AWG = 470A (4 seconds)

#### Mechanical Features

##### Securness Test (ul 486A-B)

: 6 AWG = 18lbs (30 minutes)

: 8 AWG = 8lbs (30 minutes)

: 10 AWG = 5lbs (30 minutes)

: 12 AWG = 5lbs (30 minutes)

##### Pull out Test (ul 486A-B)

: 6 AWG = 100lbs (1 minute)

: 8 AWG = 90lbs (1 minute)

: 10 AWG = 80lbs (1 minute)

: 12 AWG = 70lbs (1 minute)



### Product Offering

Part Number	Description	Thread	Dim "A"	Package Quantity
<b>2058729-1</b>	6-12 AWG	#8-32 UNC	.380	100
<b>2106831-1</b>	Long Shank 6-12 AWG	#10-32 UNF	.700	100

\*Instruction Sheet : 408-10262

### Dimensions

#### Application Tooling

Flex socket wrench or wrenches

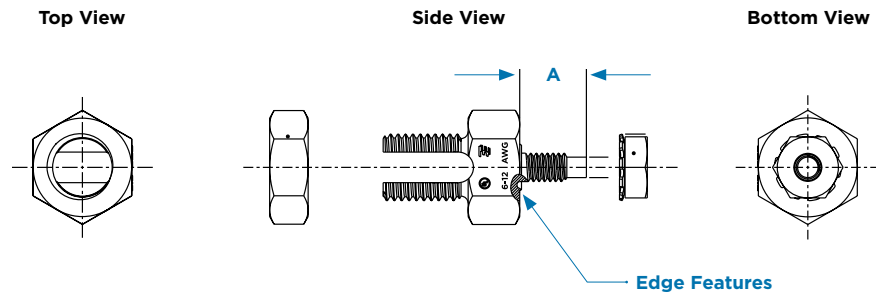
#### Standards

UL 467 approved

UL File #E69905

A requirement for UL 1703 solar panel listing)

CSA C22.2 No. 41-07



### Features & Benefits

- Rugged and compact hex bolt design made from stainless steel.
- Quick and easy mounting procedures.
- Bottom edge feature cuts through the anodized aluminum surface when securing the hex bolt to the module frame.
- Standard tooling can be used with the hex nuts.

## Grounding System : Grounding Connectors

### Technical Data

#### Materials

**Housing** : Durable PBT 30% glass filled polyester. Material is outdoor & UV rated  
**Contact** : High conductivity, copper

#### Electrical Features

Meets the tough requirements of photovoltaic grounding applications and the 2008 National Electrical Code.

#### Mechanical Features

Meets the tough requirements for grounding applications for solid copper wire.  
 12 AWG applications will withstand 70lbs pull while the 10 AWG applications will withstand 80lbs pull

#### Application Tooling

No special tooling is required -- only flathead screwdrivers and channel lock pliers (optional)

#### Standards

UL 467 approved  
 UL File #E69905  
 A requirement for UL 1703 solar panel listing  
 CSA C22.2 No. 41-07

### Features & Benefits

- Product comes as an assembled kit that includes an attachment screw
- Contact design provides 4 points of contact to the ground wire for high reliability
- Product is easy to install with simple tools that are readily available
- Removal of the installed ground wire requires a screwdriver, this meeting the tooled extraction requirements
- RoHS compliant

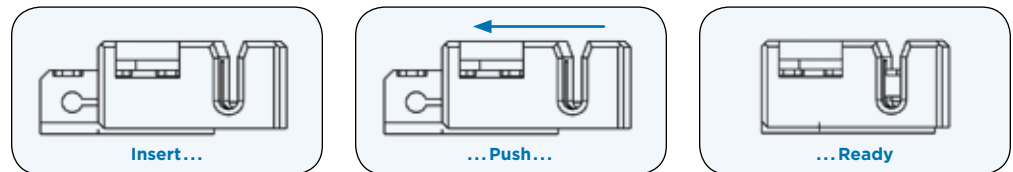


### Product Offering

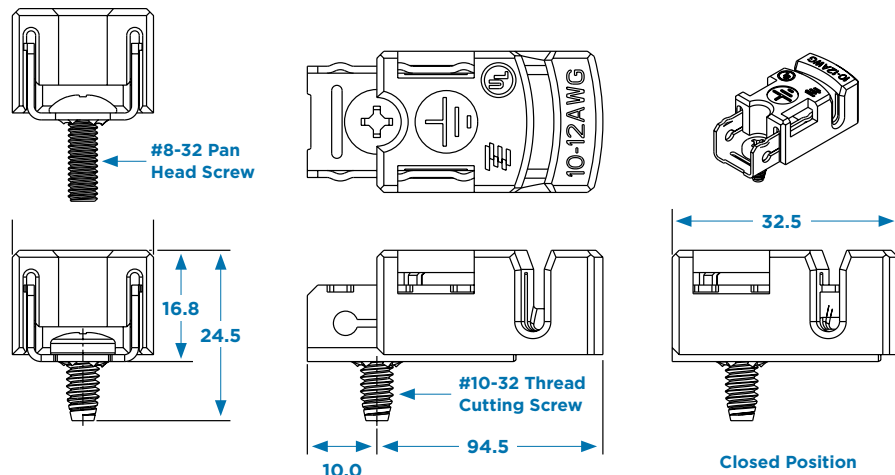
Part Number	Screw	Nut	Package Quantity
1954381-2	#8-32 Pan Head	#8-32	100
1954381-1	#10-32 Thread Cutting	None	100

\*Instruction Sheet : 408-10160

### 3 Easy Steps to Ground Your PV System



### Dimensions



**Engineering Notes**

---

---

---

---

---

---

---

---

---

---

---

---

---

---

---

---

---

---

---

---

---

---

---

---

---

---

---

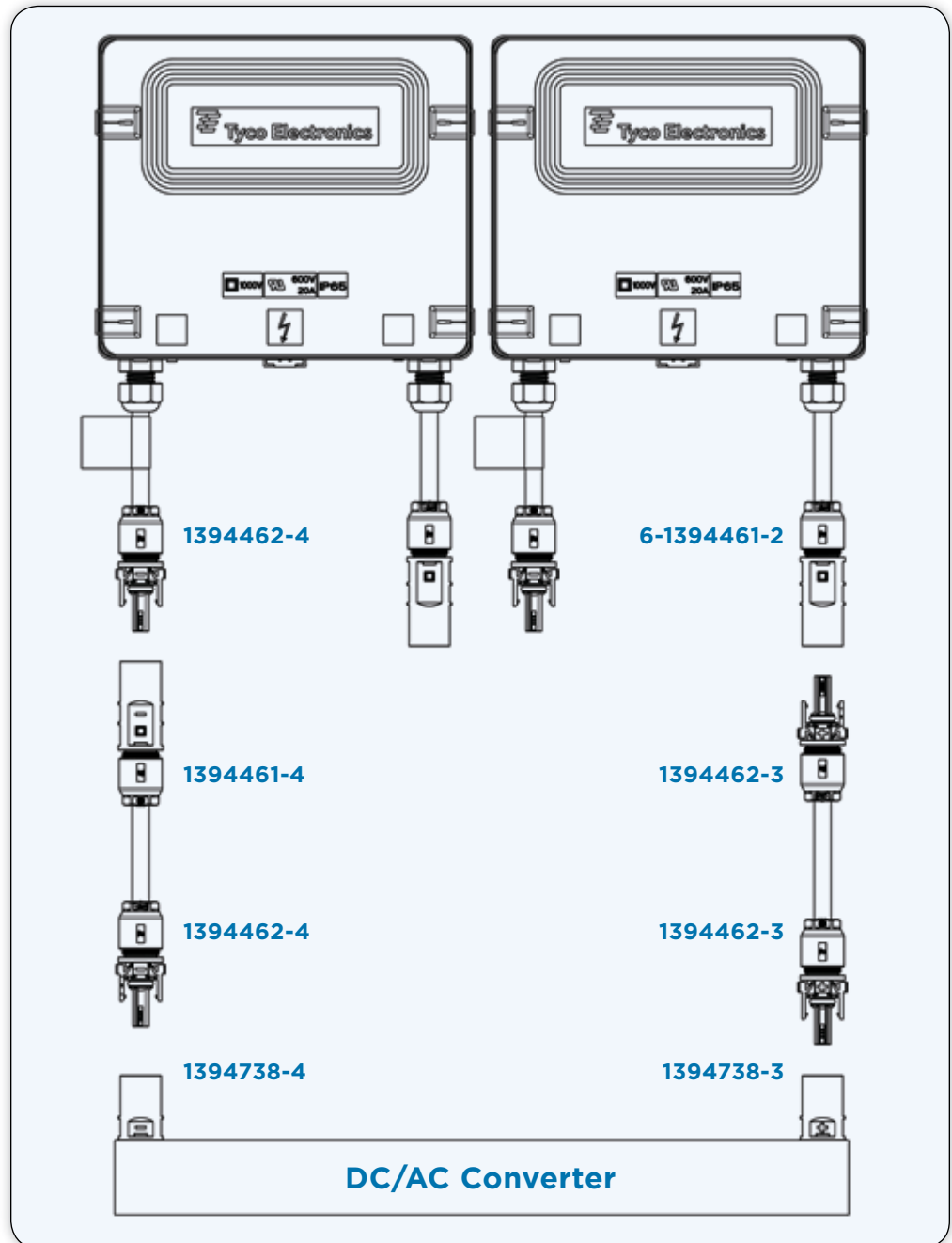
---

---

---

Interconnection Examples

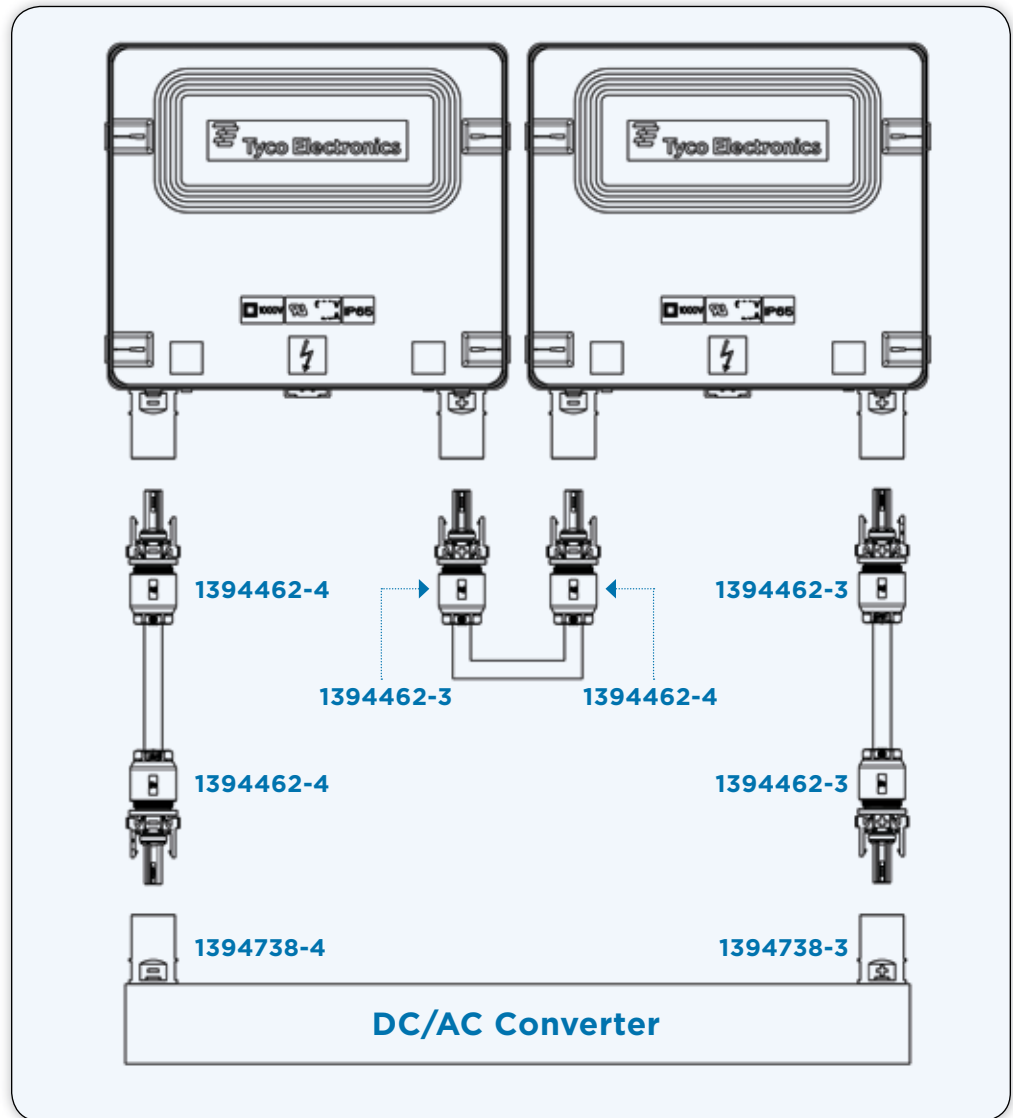
**Serial Interconnection for Junction Boxes with Cable Glands**  
(4.0 mm<sup>2</sup> / 12 AWG Wiring)





Interconnection Examples (continued)

**Serial Interconnection for Junction Boxes with Plug Connectors**  
(4.0 mm<sup>2</sup>/ 12 AWG Wiring)



## Application Tooling

### Cable Assembly Tooling Specs

- 1 Hand Crimp Tool for Screw Machine Contacts**  
Includes Crimp Head & Locator  
PN : 1-1579004-1 (1.5 mm<sup>2</sup> & 2.5 mm<sup>2</sup>)  
: 1-1579004-2 (4.0 mm<sup>2</sup> & 6.0 mm<sup>2</sup>)
- 2 Hand Crimp Tool for Stamped & Formed Contacts**  
Includes SDE Die Set & Locator  
PN : 2063900-1 (2.5 mm<sup>2</sup> - 6.0 mm<sup>2</sup>)  
(AWG 10-14)
- 3 Extraction Tool**  
(suitable for all wire sizes)  
PN : 1102855-3
- 4 Insulator Stripper**  
Includes length stop for all wire size  
(Suitable for our Solar Cable)  
PN : 4-1579002-2 (1.5 mm<sup>2</sup>, 2.5 mm<sup>2</sup>,  
4.0 mm<sup>2</sup> and 6.0 mm<sup>2</sup>)



Applicator for Strip Form Contacts (Not Shown)  
PN : 1855503-1

### Applicator for Strip Form Contacts

Part Number	Power Unit	Feed Type	Description
<b>1855503-1</b>	Leadmaker	Post Feed	Cuts Carrier
<b>1855503-2</b>	Bench Model K	Pre Feed	Cuts Carrier
<b>1855503-3</b>	Bench Model G	Pre Feed	Cuts Carrier
<b>1855503-6</b>	Leadmaker	Post Feed	Continuous Carrier

### SOLARLOK Electric Terminator CS 200

Base Machine : PN : 539630-1

#### Electrical Terminator CS 200 for Screw Machine Contacts

Adaptor for Crimp Head  
PN : 1579000-4

Crimp Head  
(1.5 mm<sup>2</sup> and 2.5 mm<sup>2</sup>)  
PN : 7-1579001-8

Crimp Head  
(4.0 mm<sup>2</sup> and 6.0 mm<sup>2</sup>)  
PN : 7-1579001-9

Crimp Head (AWG 10)  
PN : 8-1579001-2

Crimp Head (AWG 12)  
PN : 5-1579001-5

#### Electrical Terminator CS 200 for Stamped & Formed Contacts

Adaptor for SDE Crimp Die Sets  
PN : 1673663-2

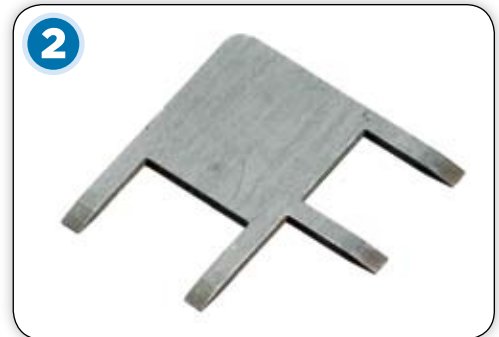
SDE Die  
PN : 2063900-2



## Application Tooling (continued)

### Junction Box Assembly Tooling

- 1** Wire Spring Clamp Tool  
PN : 1579007-2
- 2** Dioden/Jumper Spring Clamp Tool  
PN : 1579007-5
- 3** Foil Spring Clamp Tools
  - 6 Rail Large Box (Shown)  
PN : 1579007-3
  - 5 Rail (Not Shown)  
PN : 1740969-3
  - 4 Rail Medium Box (Not Shown)  
PN : 1740969-1
  - 3 Rail Small Box (Not Shown)  
PN : 1740969-2



### Junction Box & Connector Assembly Tooling

- 1** Hexagon Spanner Head Wrench,  
size 13 mm  
PN : 523229-1

### Field Service Kit

#### Base Machine

Part Number : 1534858-1  
(Metric Wire)

#### Hand Crimp Tool

PN : 1-1579004-2

#### Extraction Tool

PN : 1102855-3

#### Insulation Stripper

PN : 4-1579002-2

- 100 Cable Coupler  
(Housings, Plus and Minus coded)
- Crimp Contacts  
(4.0 mm<sup>2</sup> and 6.0 mm<sup>2</sup>)
- Strain relief
- Seals



### Assembly and Installation Guidelines SOLARLOK plug connectors

**ATTENTION** : This connector is to be used only to interconnect firmly fixed cables

**DO NOT DISCONNECT UNDER LOAD** : Current path should only be disconnected using approved disconnect devices.

**Cable assemblies are labeled with PN : 1394470-1.**

**PROTECT AGAINST SHOCK** : Ensure that conductors and their associated connectors are separated from opposite polarity components.

### IMPORTANT NOTE

Mounting and installation must be done by qualified and trained staff considering all applying safety regulations. Failure to follow all instructions in Application Specification 114-18488 (available at [www.tycoelectronics.com/documents](http://www.tycoelectronics.com/documents)), including using only approved TE tooling (if applicable), can result in improper installation and/or crimping which is dangerous and may cause or contribute to electrical fires. Should be used only by individuals with proper training and experience.

#### General Comments

Any kind of pollution (dust, oil, humidity, etc.) during the assembly process or to the unmated connector can degrade contact and connector performance. This applies in particular to the seals and the crimping of the contacts. A clean assembly environment is essential.

#### Termination of the Cable Wires and Crimping of the Contacts

- SOLARLOK connectors use different crimp contacts for various wire gauges.
- Possible wire gauges are 2.5 mm<sup>2</sup>, 4.0 mm<sup>2</sup>, and 6.0 mm<sup>2</sup>, AWG 14, AWG 12 and AWG 10.
- The tools to be used are selected based upon the wire gauge.
- For the application specification, please refer to specification #114-18488.

#### 3.1 Handling of the Connectors

When assembling the connectors, the following sequence must be followed:

- 1 : Stripping the wire to 9 +/- 1mm without damaging the strands (please refer to application specification **#114-74013**)



Fig.1

### Assembly and Installation Guidelines (continued)

#### 3.1 Handling of the Connectors (continued)

**2** : Insert the stripped wire into the wire crimp barrel until it stops.

**3** : While holding the wire in place, squeeze tool handles together until ratchet releases.



**Fig. 2**

**4** : Push contact with cable into the connector housing (include seal/pinch ring combination and backshell) until you hear the contact is locked into position. To verify contact engagement, give a gentle pull back on the cable to be sure the contact is locked.



**Fig. 3**

**5** : Tighten backshell nut to 1.3 +0.2 Nm.



**Fig. 4**

## Assembly and Installation Guidelines (continued)

### 3.2 Connector Latching **When mating the SOLARLOK connectors, ensure the following:**

**1** : Connectors labeled with a plus or minus are keyed and can only be mated to similarly marked and keyed connectors.

**CAUTION : THE “NEUTRAL” DESIGNATED PIN CONNECTORS INCORPORATE NO KEYING FEATURES AND MUST ONLY BE USED FOR SERIAL INTERCONNECTION OF PHOTOVOLTAIC MODULES. THE NEUTRAL PRODUCT SHOULD NOT BE USED WHERE MAINTAINING POLARITY IS CRITICAL.**

**2** : The polarity of the “neutral” connector should be labeled with **part number : 1394725-1 or 1394725-2.**

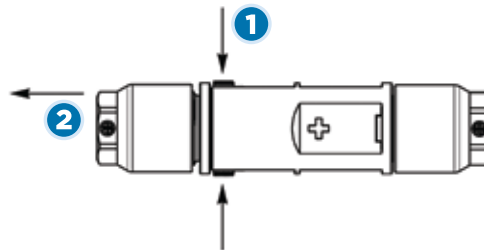
**3** : The connector system is fully latched only when the latches are flush with the mating connectors. After the connector is fully latched, the optional latch locking clip may be snapped into place.



**Fig. 5**  
(female connector)

### 3.3 Disconnecting **CAUTION : DO NOT DISCONNECTED UNDER LOAD.**

Disconnect circuit load before unplugging connectors by using approved devices (DC main switch, inverter connector and other devices). Cable assemblies should be labeled with **part number : 1394470-1.**



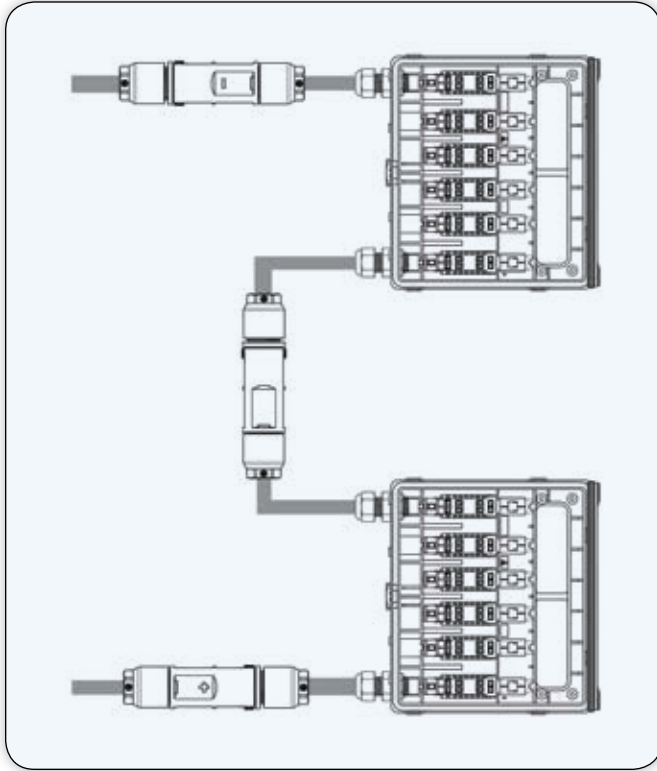
**Fig. 6**

**1** : The locking mechanism is opened by depressing the latches.

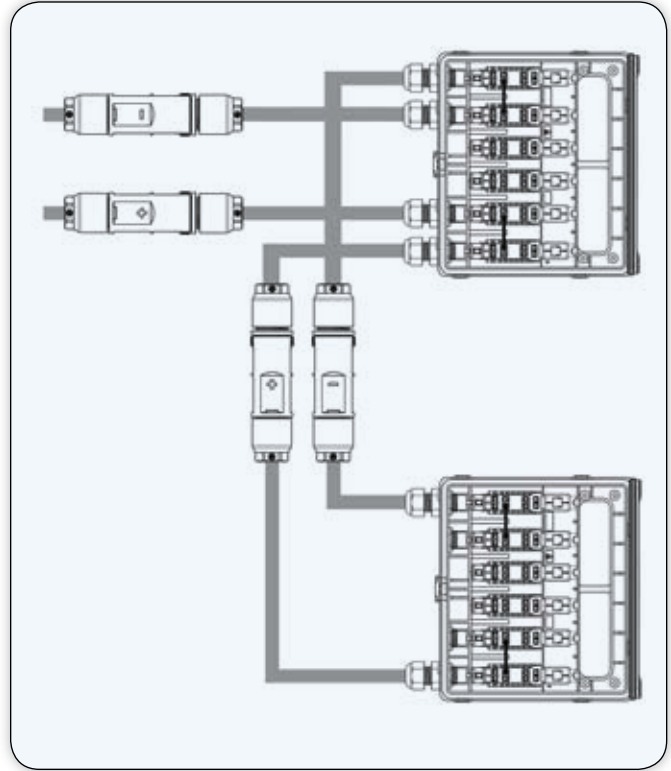
**2** : Pull out the connectors. While depressing the latches, disconnect the connector by pulling the connector halves apart.

Assembly and Installation Guidelines (continued)

Application Examples



**Abb. 7** : Serial (Wire Diagram)

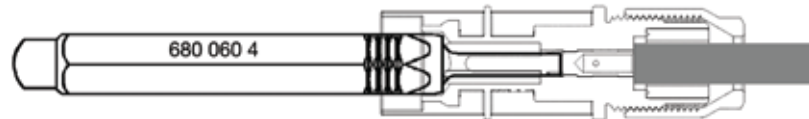


**Abb. 8** : Parallel (Wire Diagram)

**Storage** See product specification 108-18701

**Tooling** Find available tools for the contact crimping on page 24 (please specify the required wire gauge). An extraction tool (part number 1102855-3) is needed to disassemble the connector components. The tool is used to unlock the contact retention features, after which the contact can be removed and re-used one time if necessary.

**Technical Description**



**Fig. 9**

### PV Installers Numerical Index

Part Number	Page	Part Number	Page	Part Number	Page
CN4616-000	9	956298-6	16	1394462-3	10
CN4619-000	9	1-956298-4	16	1394462-4	10
CN4618-000	9	1-956298-5	16	4-1394462-7	10
CN4617-000	9	1-956298-6	16	4-1394462-8	10
CN3803-000	9	956299-4	16	4-1394462-9	10
CN3806-000	9	956299-5	16	5-1394462-6	10
CN3804-000	9	956299-6	16	5-1394462-5	10
CN3805-000	9	1-956299-4	16	6-1394462-3	10
CR0780-000	9	1-956299-5	16	6-1394462-4	10
CR0781-000	9	1-956299-6	16	1394739-1	13
CR0782-000	9	1394461-4	10	1534226-1	13
CR0783-000	9	1394461-7	10	1534611-1	13
CR0784-000	9	1394461-8	10	1534611-2	13
CR0785-000	9	6-1394461-1	10	1740277-1	13
CR0786-000	9	6-1394461-2	10	1740277-2	13
CR0787-000	9	6-1394461-3	10	1740479-1	14
CR0788-000	9	6-1394461-4	10	1740483-1	14
CR0789-000	9	6-1394461-5	10	1740483-2	14
CR0791-000	9	6-1394461-6	10	1740493-1	14
CR0792-000	9	7-1394461-0	10	1740493-2	14
956297-4	16	7-1394461-1	10	1740939-2	10
956297-5	16	7-1394461-2	10	1740939-4	10
956297-6	16	7-1394461-3	10	1740939-5	10
1-956297-4	16	7-1394461-4	10	1-1740939-2	10
1-956297-5	16	7-1394461-5	10	1740940-3	10
1-956297-6	16	4-1394462-6	10	1740940-4	10
956298-4	16	1394462-1	10	1-1740940-3	10
956298-5	16	1394462-2	10	1-1740940-4	10




### PV Installers Numerical Index (Continued)

### Tooling

Part Number	Page	Part Number	Page	Part Number	Page
1954283-1	8	2-1987376-4	18	174969-1	25
1954381-1	20	2-1987376-5	18	523229-1	25
1954381-2	20	3-1987376-1	18	539630-1	24
1986164-1	17	3-1987376-2	18	1102855-3	24,25
1986164-2	17	3-1987376-3	18	1-1579004-1	24
1986164-3	17	3-1987376-4	18	1-1579004-2	24,25
1986165-1	17	3-1987376-5	18	1534858-1	25
1986165-2	17	4-1987376-1	18	1579000-4	24
1986165-3	17	4-1987376-2	18	8-1579001-2	24
1986166-1	17	4-1987376-3	18	5-1579001-5	24
1986166-2	17	4-1987376-4	18	7-1579001-8	24
1986166-3	17	4-1987376-5	18	7-1579001-9	24
1987280-1	12	1987419-1	13	4-1579002-2	24,25
1987280-2	12	1987423-1	13	1579007-2	25
1987280-3	12	1987558-1	11	1579007-3	25
1987280-4	12	1987558-2	11	1579007-5	25
1987280-5	12	1987558-3	11	1673663-2	24
1987281-1	12	1-1987558-1	11	1740969-2	25
1987281-2	12	1-1987558-2	11	1740969-3	25
1987281-3	12	1-1987558-3	11	1855503-1	24
1987281-4	12	1987559-1	11	1855503-1	24
1987281-5	12	1987559-2	11	1855503-2	24
1987286-4	11	1-1987559-1	11	1855503-3	24
1987286-5	11	1-1987559-2	11	1855503-6	24
1987286-6	11	2058729-1	19	2063900-1	24
1987287-1	11	2106207-1	13	2063900-2	24
1987287-2	11	2106831-1	19		
2-1987376-3	18				





We are a leading manufacturer of electronic components and solutions for solar energy. Our growing presence in the photovoltaic and solar thermal industry is backed by our innovative, extensive and high quality products to meet your individual needs.

**[tycoelectronics.com/solar](https://tycoelectronics.com/solar)**

## FOR MORE INFORMATION

### Technical Support

Internet:	<a href="http://www.tycoelectronics.com/help">www.tycoelectronics.com/help</a>
USA:	+1 (800) 522-6752
Canada:	+1 (905) 470-4425
Mexico & Central America:	+52(O) 55-1106-0814
South America:	+55 (O) 11-2103-6000
Germany:	+49 (O) 6251-133-1999
UK:	+44 (O) 800-267666
France:	+33 (O) 1-3420-8686
Netherlands:	+31 (O) 73-6246-999
China:	+86 (O) 400-820-6015

Part numbers in this brochure are RoHS Compliant\*, unless marked otherwise.

\*as defined [www.tycoelectronics.com/leadfree](http://www.tycoelectronics.com/leadfree)

### Tyco Electronics Corporation

Berwyn, PA

[www.tycoelectronics.com](http://www.tycoelectronics.com)

© 2010 Tyco Electronics Corporation. All Rights Reserved.

3-1773458-6 CIS FP 3K 09/2010

SOLARLOK, TE (logo) and Tyco Electronics are trademarks of the Tyco Electronics group of companies and its licensors.

Other logos, product and Company names mentioned herein may be trademarks of their respective owners.

---

While Tyco Electronics has made every reasonable effort to ensure the accuracy of the information in this catalog, Tyco Electronics does not guarantee that it is error-free, nor does Tyco Electronics make any other representation, warranty or guarantee that the information is accurate, correct, reliable or current. Tyco Electronics reserves the right to make any adjustments to the information contained herein at any time without notice. Tyco Electronics expressly disclaims all implied warranties regarding the information contained herein, including, but not limited to, any implied warranties of merchantability or fitness for a particular purpose. The dimensions in this catalog are for reference purposes only and are subject to change without notice. Specifications are subject to change without notice. Consult Tyco Electronics for the latest dimensions and design specifications.



**Tyco Electronics**  
Our commitment. Your advantage.