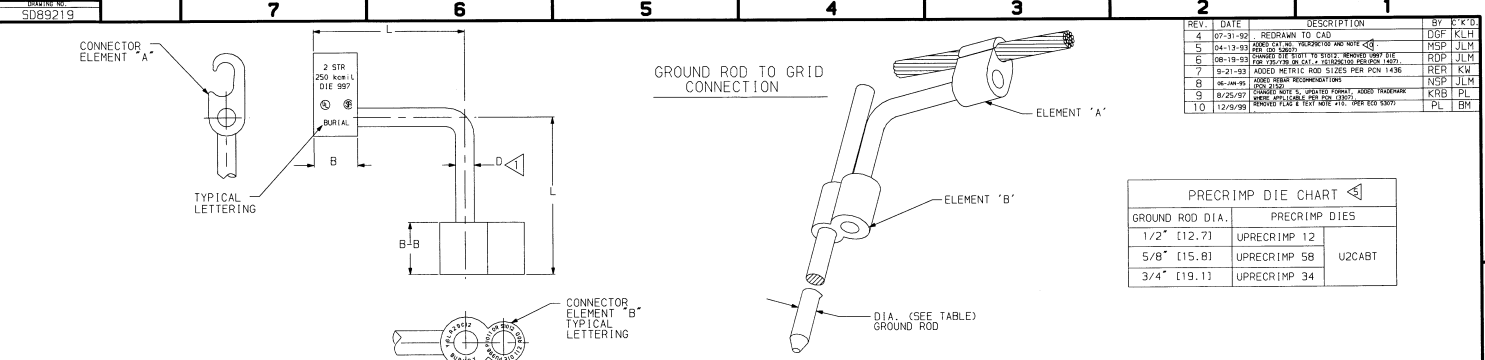


DRAWING NO.
SD89219

REV.	DATE	DESCRIPTION	BY	CHECKED
4	07-31-92	REVISION TO CAD	DFP	KLH
5	04-13-93	2000 CITY CODE REVISION AND NOTE 200	NRP	JLM
6	08-19-93	ADDED THE START TO STOP NUMBER TO THE DIE	RDP	JLM
7	9-21-93	ADDED METRIC ROD SIZES PER PCN 1436	REN	KW
8	04-24-94	ADDED METRIC REVISIONS	NRP	JLM
9	02-25-97	ADDED METRIC SIZES TO THE DIE SET	KRS	PL
10	12/9/99	REVISION TO E TEXT AND FIG. 10B PER ECO 5307		

PRECRIMP DIE CHART	
GROUND ROD DIA.	PRECRIMP DIES
1/2" [12.7]	UPRECRIMP 12
5/8" [15.8]	UPRECRIMP 58
3/4" [19.1]	UPRECRIMP 34



CATALOG NUMBER	COMMERCIAL COPPER CABLE RANGE ELEMENT 'A'	METRIC COPPER CABLE RANGE ELEMENT 'A'	COPPER WELD CABLE RANGE ELEMENT 'A'	GROUND ROD DIA. ELEMENT 'B'	B	B-B	D	L	INSTALLATION TOOLS, DIE SET CAT. NO (NUMBER OF CRIMPS)							
									Y35/Y39 HYPRESS™		Y750 HYPRESS™		Y45 HYPRESS™		Y46 HYPRESS™	
									ELEMENT 'A'	ELEMENT 'B'	ELEMENT 'A'	ELEMENT 'B'	ELEMENT 'A'	ELEMENT 'B'	ELEMENT 'A'	ELEMENT 'B'
YGLR29C12	#2 STR (.292 DIA) THRU 250 kcmil (.575 DIA)	35mm² (7.6mm DIA) THRU 120mm² (14.4mm DIA)	91.65 kcmil (.343 DIA) THRU 248.8 kcmil (.572 DIA)	1/2" [12.7] #3 - #4 REBAR					U997 (1)		U997 (1)		U997 (1)		U997 (1)	
YGLR34C12	250 kcmil (.575 DIA) THRU 500 kcmil (.813 DIA)	120mm² (14.4mm DIA) THRU 240mm² (20.4mm DIA)	248.8 kcmil (.572 DIA) THRU 498.8 kcmil (.810 DIA)				.313 [7.9]	2.53 [64.3]			U1011 (2) OR PU998 (1)		S998 OR PU998 (1)		P998 OR PU998 (1)	
YGLR29C58	#2 STR (.292 DIA) THRU 250 kcmil (.575 DIA)	35mm² (7.6mm DIA) THRU 120mm² (14.4mm DIA)	91.65 kcmil (.343 DIA) THRU 248.8 kcmil (.572 DIA)	5/8" [15.9] #5 - #6 REBAR	.75 [19.1]	.88 [22.4]			U997 (1)		U997 (1)		U997 (1)		U997 (1)	
YGLR34C58	250 kcmil (.575 DIA) THRU 500 kcmil (.813 DIA)	120mm² (14.4mm DIA) THRU 240mm² (20.4mm DIA)	248.8 kcmil (.572 DIA) THRU 498.8 kcmil (.810 DIA)							PU998 (1)	U1011 (2) OR PU998 (1)	U1011 (2) OR PU998 (1)	S998 OR PU998 (1)	S1012 (2) OR PU998 (1)	P998 OR PU998 (1)	P1011 (2) OR PU998 (1)
YGLR29C34	#2 STR (.292 DIA) THRU 250 kcmil (.575 DIA)	35mm² (7.6mm DIA) THRU 120mm² (14.4mm DIA)	91.65 kcmil (.343 DIA) THRU 248.8 kcmil (.572 DIA)	3/4" [19.1] #5 - #6 REBAR					U997 (1)		U997 (1)		U997 (1)		U997 (1)	
YGLR34C34	250 kcmil (.575 DIA) THRU 500 kcmil (.813 DIA)	120mm² (14.4mm DIA) THRU 240mm² (20.4mm DIA)	248.8 kcmil (.572 DIA) THRU 498.8 kcmil (.810 DIA)				.500 [12.7]	2.63 [66.8]			U1011 (2) OR PU998 (1)		S998 OR PU998 (1)		P998 OR PU998 (1)	
YGLR29C100	#2 STR (.292 DIA) THRU 250 kcmil (.575 DIA)	35mm² (7.6mm DIA) THRU 120mm² (14.4mm DIA)	91.65 kcmil (.343 DIA) THRU 248.8 kcmil (.572 DIA)	1" [25.4] #6 - #7 REBAR							U997 (1)		U997 (1)		U997 (1)	
YGLR34C100	250 kcmil (.575 DIA) THRU 500 kcmil (.813 DIA)	120mm² (14.4mm DIA) THRU 240mm² (20.4mm DIA)	248.8 kcmil (.572 DIA) THRU 498.8 kcmil (.810 DIA)								U1011 (2) OR PU998 (1)		S998 OR PU998 (1)		P998 OR PU998 (1)	

- NOTES:**
- BEFORE CRIMPING, BOTH CONNECTOR ELEMENTS CAN BE TURNED ON ROD DIAMETER 'D' TO ANY DESIRED POSITION.
 - GROOVES ARE FILLED WITH PENETROX.®
 - SUITABLE FOR DIRECT BURIAL IN EARTH OR CONCRETE.
 - THE CATALOG NUMBERS SHOWN ARE FOR UNPLATED COPPER CONNECTORS FOR USE ON COPPER CLAD OR STAINLESS STEEL GROUND ROD. TO ORDER ELECTRO-TIN PLATED CONNECTORS FOR USE ON GALVANIZED STEEL GROUND ROD ADD SUFFIX 'TN' TO THE CATALOG NUMBER, ONLY THE FIGURE 8 CONNECTOR (ELEMENT 'B') IS TIN PLATED. THE FIGURE 6 CONNECTOR (ELEMENT 'A') IS UNPLATED. NOTE: THE GROUND ROD HOLE DIAMETER IS LARGER FOR GALVANIZED STEEL GROUND ROD IN THE TIN PLATED CONNECTOR.
 - WHEN ATTACHING YGLR TYPE CONNECTORS TO GROUND ROD, GROUND ROD MUST BE EMBOSSED WITH APPROPRIATE PRECRIMP DIE. (SEE TABLE IN UPPER RIGHT-HAND CORNER). FOR CONNECTIONS THAT MUST MEET IEEE 837 REQUIREMENTS UPRECRIMP-TYPE PRECRIMP DIES MUST BE USED FOR MAXIMUM CLAMPING RETENTION.

- WHERE A 'U' OR 'PU' DIE IS RECOMMENDED WITH THE Y45 HYPRESS,™ A PT8515 ADAPTER MUST BE USED.
- WHERE A 'U' OR 'PU' DIE IS RECOMMENDED WITH THE Y46 HYPRESS,™ A PUADP-1 ADAPTER MUST BE USED.
- DIMENSIONS IN BRACKET [] ARE IN MILLIMETERS.
- ONLY DIE '1011' APPEARS ON ELEMENT 'B' OF THE CONNECTOR.
- REMOVED PER ECO 5307.

MATERIAL: HIGH CONDUCTIVITY WROUGHT COPPER

GROUND ROD CONNECTOR			
CAT NO. YGLR-C--	(TABLE)	SCALE	
DESIGNED BY	03-26-84	CHECKED BY	05-23-84
DRAWN BY	ESR 05-23-84	APP. BY	N/A
DATE	N/A	DATE	N/A
CAD FILE	5089219-01-10	DATE	N/A
FRANKLIN CONNECTORS USA INC.		PROJECT NO. 50387	
1400 W. 10TH ST.		DRAWING NO. SD89219	
MINNETONKA, MN 55345		SHEET 1 OF 1	
1-800-346-4175		10	