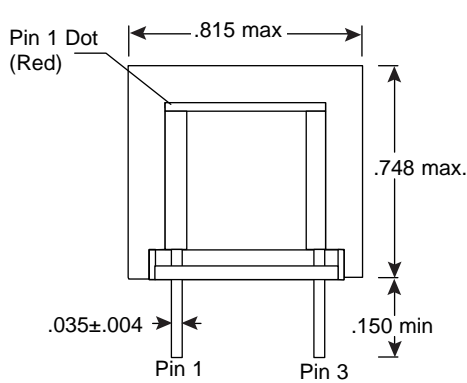
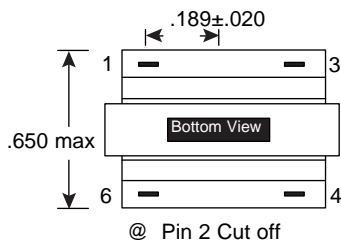
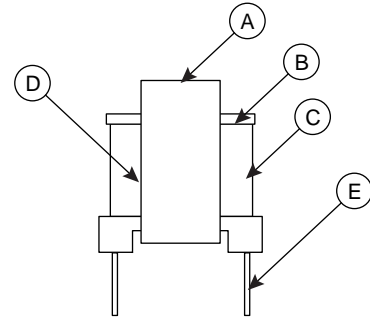
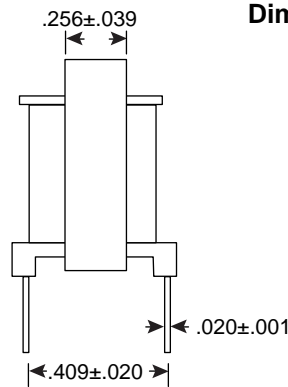


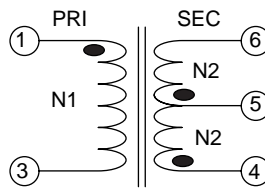
1. Outline Size:



Dimensions (In.)

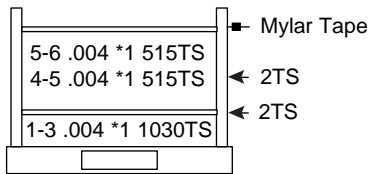


2. Schematic



Electrical Specifications:

- Impedance primary: 600Ω @ 90mA
secondary: 600Ω Load (±1%)
- Impedance variation: ±10% 1KHz 1.0V series test
- DC resistance primary: 65Ω±10%
secondary: 105Ω±10%
- Insertion loss: 2.5dB max. @ 1KHz 1V 0Ma
- Frequency response: ±0.5dB @ 600-3500Hz; 1KHz 0dB
- Turns (primary : secondary): 1 : 1, ±3%
- Breakdown voltage: 1500VAC 60Hz hi-pot for one minute is crossover between primary to secondary (3mA)
1000VAC 60Hz is winding to core (3mA)
- Insulation resistance: The insulation resistance between winding to winding and winding to core measured by 500VDC insulation resistance meter should be over 100MΩ
- Wire: primary: .0039ø *1
secondary: .0035ø *1
- Turns: primary: 1030 TS (REF)
secondary: 515 TS + 515 TS



MO	Name	Material	Rating	Source
A	Core	Silicon Steel EI-19 Z11 0.35ø		Bnterpidrvo Co. , LTD
B	Bobbin	Nylon Bobbin E108944(M)A226	105°C	Imperial Chemical Industries PLC Maranyl
C	Tape	Mylar Tape E50292(S)	130°C	Four Pillars Enterprise Co. LTD
D	Wire	Polyurethane Enameled copper wire E84081(S)	130°C	Pacific Electric Wire & Cable Co. , LTD
E	Terminal Varnish	Tin coated copper wire BC-346A E51047(M)	200°C	Pacific Electric Wire & Cable Co., LTD John C Dolph Company

Your source for quality electronics. Toll-free full service
(800) 346-6873