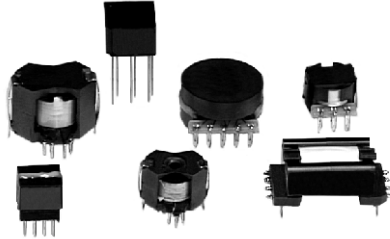


## Transformers Pulse, Trigger Type



### FEATURES

- Integrated Services Digital Network transformers that provide isolation for the line card and terminal in conjunction with both "S/T" and "U" interfaces.
- Designed to meet the CCITT 1.430 pulse wave form template requirements.
- Isolation voltage levels available for U.S. and international applications.
- Printed circuit board mountable in both through-hole and surface mount packages..
- Standard and custom configurations available.
- PT-100 series used for "S/T" interfaces.
- PT-200 series used for "U" interfaces.



**RoHS**  
COMPLIANT

### STANDARD ELECTRICAL SPECIFICATIONS

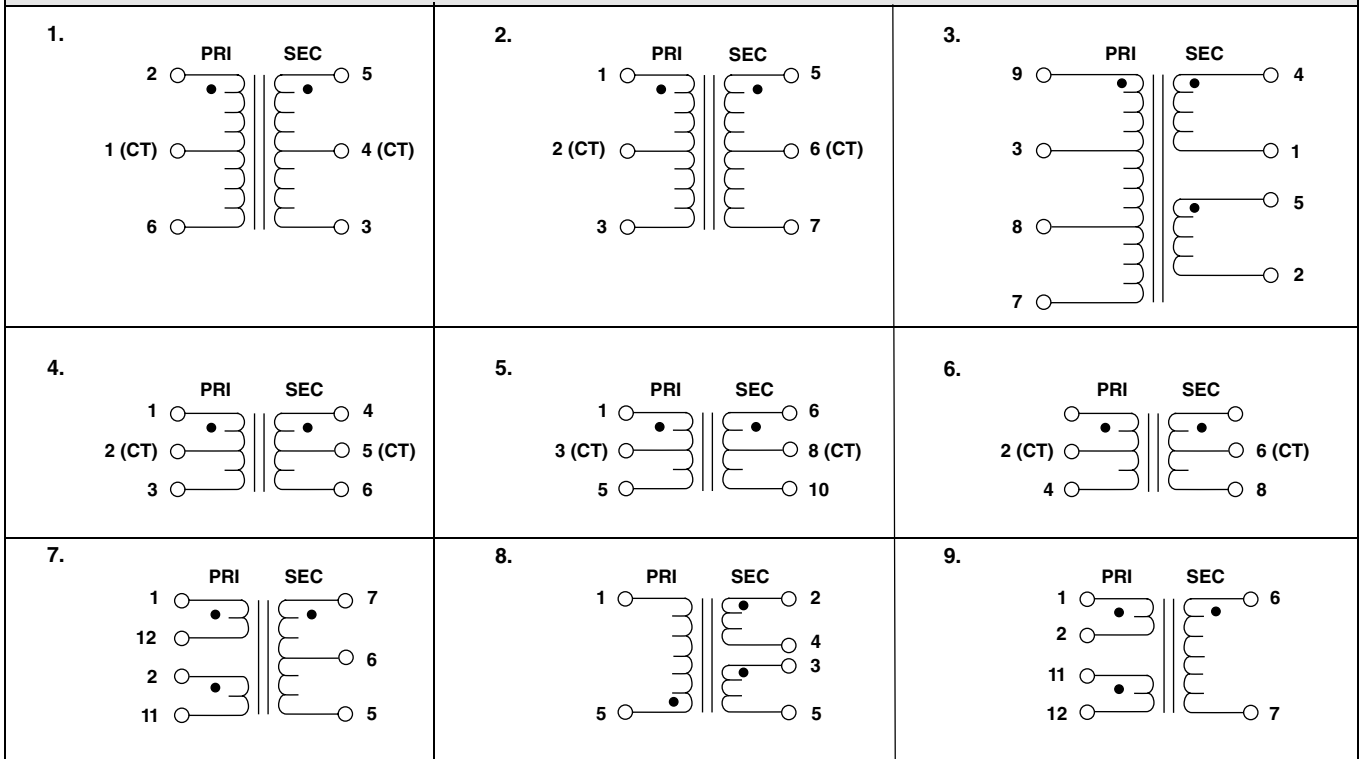
| MODEL      | TURNS RATIO   | PRIMARY INDUCTANCE MIN. (MH) | PRIMARY DCR MAX. (Ohms) | SECONDARY DCR MAX. (Ohms) | LEAKAGE INDUCTANCE MAX. (µH) | PRIMARY/SECONDARY HIPOT (V RMS) | STYLE NUMBER | SCHEMATIC NUMBER |
|------------|---------------|------------------------------|-------------------------|---------------------------|------------------------------|---------------------------------|--------------|------------------|
| PT-100-01  | 1 CT : 2 CT   | 20                           | 1.2                     | 11.0                      | 30                           | 1500                            | 1            | 1                |
| PT-100-02  | 1 CT : 2 CT   | 20                           | 1.2                     | 11.0                      | 30                           | 1500                            | 2            | 2                |
| PT-100-04  | 1 CT : 2 CT   | 20                           | 3.0                     | 4.5                       | 15                           | 1500                            | 4            | 4                |
| PT-100-05  | 1 CT : 2.5 CT | 22                           | 2.8                     | 6.5                       | 20                           | 1500                            | 1            | 1                |
| PT-100-06  | 1 CT : 1 CT   | 22                           | 2.8                     | 2.8                       | 10                           | 1500                            | 5            | 6                |
| PT-100-08  | 1 CT : 1.8 CT | 22                           | 2.8                     | 5.5                       | 20                           | 1500                            | 1            | 1                |
| PT-100-09  | 1 CT : 2 CT   | 22                           | 8.0                     | 15.0                      | 30                           | 1500                            | 7            | 5                |
| PT-100-012 | 1 CT : 2 CT   | 22                           | 2.8                     | 5.5                       | 10                           | 2000                            | 9            | 4                |
| PT-200-01  | 2.5 : 1       | 72                           | 8.5                     | 2.0                       | 160                          | 1100                            | 3            | 3                |
| PT-200-02  | 2 : 1 CT      | 25                           | 11.0                    | 3.5                       | 20                           | 1100                            | 6            | 7                |
| PT-200-03  | 2 : 1         | 30                           | 2.3                     | 2.0                       | 200                          | 1100                            | 8            | 8                |
| PT-200-08  | 1.6 : 1       | 13                           | 3.0                     | 3.0                       | 55                           | 2000                            | 6            | 9                |

### TRANSFORMER CROSS REFERENCE FOR TRANSCEIVER CHIPS

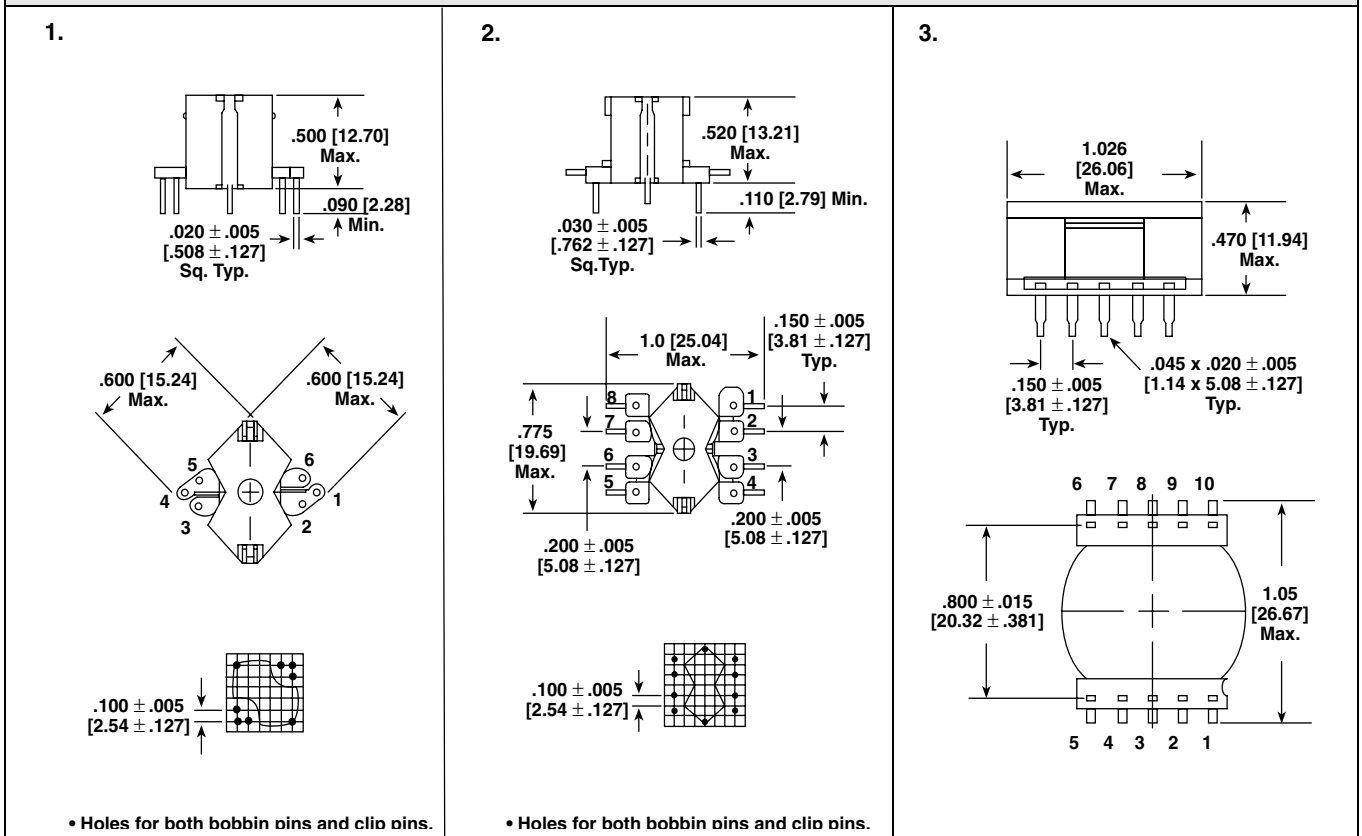
| MODEL       | TURNS RATIO   | IC MANUFACTURER | IC PART NUMBER    |
|-------------|---------------|-----------------|-------------------|
| PT-100-01   | 1 CT : 2 CT   | SIEMENS         | PEB2080/2085/2081 |
| PT-100-02   | 1 CT : 2 CT   | SIEMENS         | PEB2080/2085/2081 |
| PT-100-04   | 1 CT : 2 CT   | AMD             | 79C30A            |
|             |               | MITEL           | MT8930            |
|             |               | NATIONAL        | TP3420            |
| PT-100-05   | 1 CT : 2.5 CT | INTEL           | 29C53             |
|             |               | AT&T            | T7250/T7252       |
| PT-100-06   | 1 CT : 1 CT   | MOTOROLA        | MC145474          |
|             |               |                 | MC145475          |
| PT-100-08   | 1 CT : 1.8 CT | INTEL           | 29C53             |
| PT-100-09   | 1 CT : 2 CT   | SIEMENS         | PEB2080/2085      |
|             |               | AMD             | 79C30A            |
|             |               | MITEL           | MT8930            |
|             |               | NATIONAL        | TP3420            |
| PT-100-012* | 1 CT : 2 CT   | SIEMENS         | PEB2080/2085/2081 |
|             |               | AMD             | 79C30A            |
|             |               | MITEL           | MT8930            |
|             |               | NATIONAL        | TP3420            |
| PT-200-01   | 2.5 : 1       | AT&T            | T7262/T7263       |
| PT-200-02   | 2 : 1 CT      | MOTOROLA        | MC145472          |
| PT-200-03   | 2 : 1         | MITEL           | MT8972            |
| PT-200-08*  | 1.6 : 1**     | SIEMENS         | PEB2091           |

\*Hipot voltage will meet international safety standards. \*\*Low profile.

## SCHEMATICS

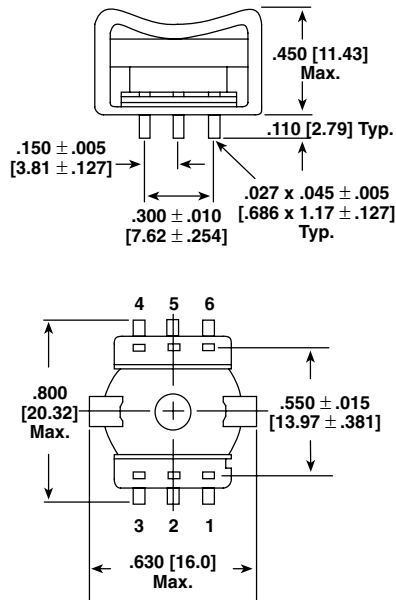


## DIMENSIONAL CONFIGURATIONS

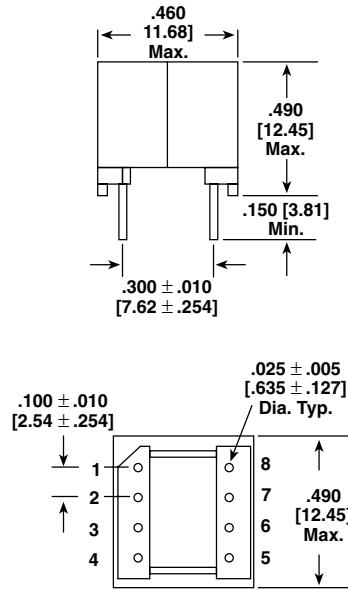


## DIMENSIONAL CONFIGURATIONS

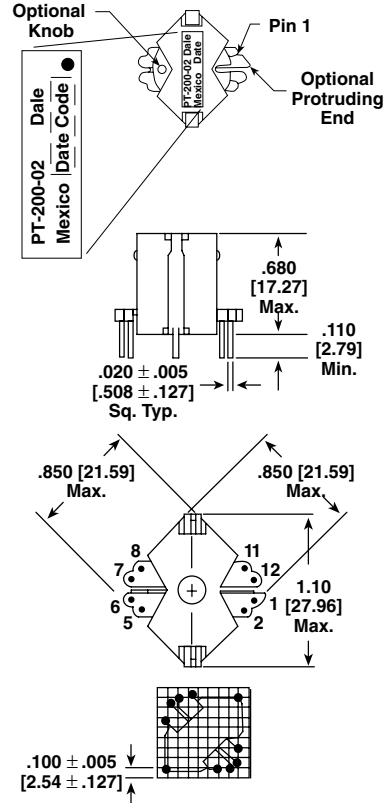
4.



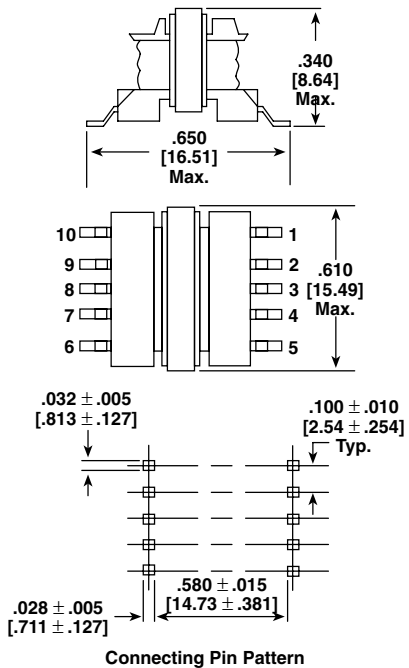
5.



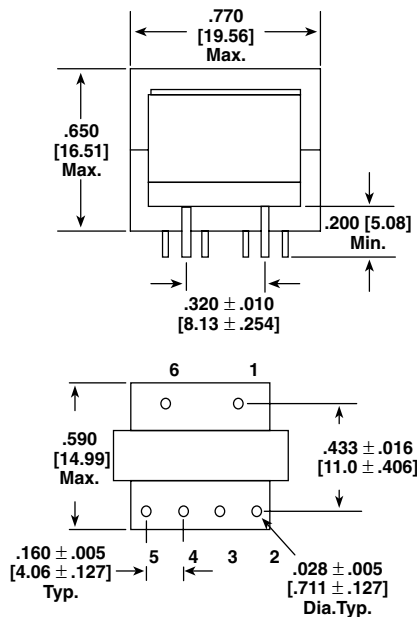
6.



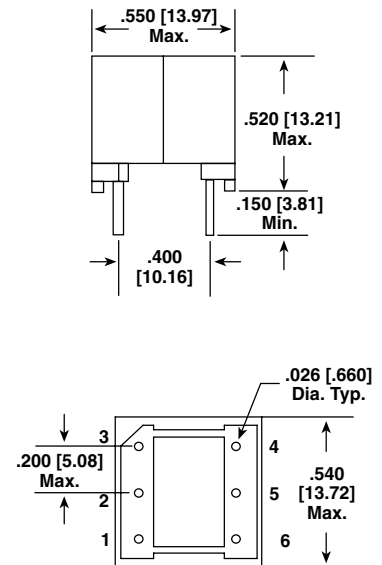
7.



8.



9.





**ORDERING INFORMATION**

PT  
MODEL

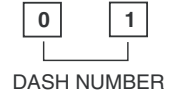
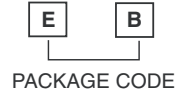
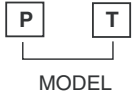
100  
STYLE

01  
DASH NUMBER

EB  
PACKAGE CODE

e2  
JEDEC LEAD (Pb)-FREE  
STANDARD

**GLOBAL PART NUMBER**





## Disclaimer

All product specifications and data are subject to change without notice.

Vishay Intertechnology, Inc., its affiliates, agents, and employees, and all persons acting on its or their behalf (collectively, "Vishay"), disclaim any and all liability for any errors, inaccuracies or incompleteness contained herein or in any other disclosure relating to any product.

Vishay disclaims any and all liability arising out of the use or application of any product described herein or of any information provided herein to the maximum extent permitted by law. The product specifications do not expand or otherwise modify Vishay's terms and conditions of purchase, including but not limited to the warranty expressed therein, which apply to these products.

No license, express or implied, by estoppel or otherwise, to any intellectual property rights is granted by this document or by any conduct of Vishay.

The products shown herein are not designed for use in medical, life-saving, or life-sustaining applications unless otherwise expressly indicated. Customers using or selling Vishay products not expressly indicated for use in such applications do so entirely at their own risk and agree to fully indemnify Vishay for any damages arising or resulting from such use or sale. Please contact authorized Vishay personnel to obtain written terms and conditions regarding products designed for such applications.

Product names and markings noted herein may be trademarks of their respective owners.