

TELECOMMUNICATION DRY COUPLING TRANSFORMER DESIGNED TO OPERATE AT A MAXIMUM LEVEL OF +7dBm AND TO REFLECT A PRIMARY SOURCE IMPEDANCE OF 600 Ω CT WITH 600 Ω CT LOAD ON SECONDARY

MODEL NUMBER
TTC-09

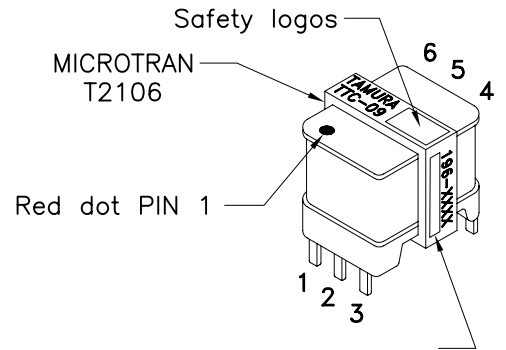
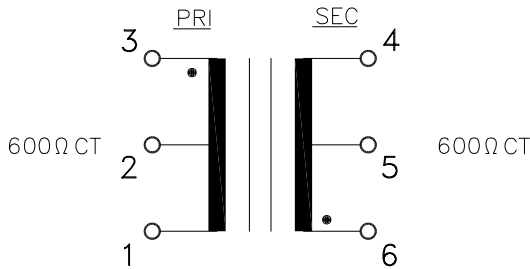
REV. Status

REVISION - 01/08/92 HA
REVISION A TEMECULA WAS CARSON ADDED SAFETY UPDATED NP REVISED DIM 20.3(0.80)MAX WAS 19.8(0.781)MAX 01/06/96 TS
REVISION B REV A.1 & A.2 ADDED "CT" 01/19/96 TS
REVISION C ADDED RoHS. UL1459 WAS UL1863. DIM 20.3(0.799) WAS 19.8(0.781) 10/17/06 MP

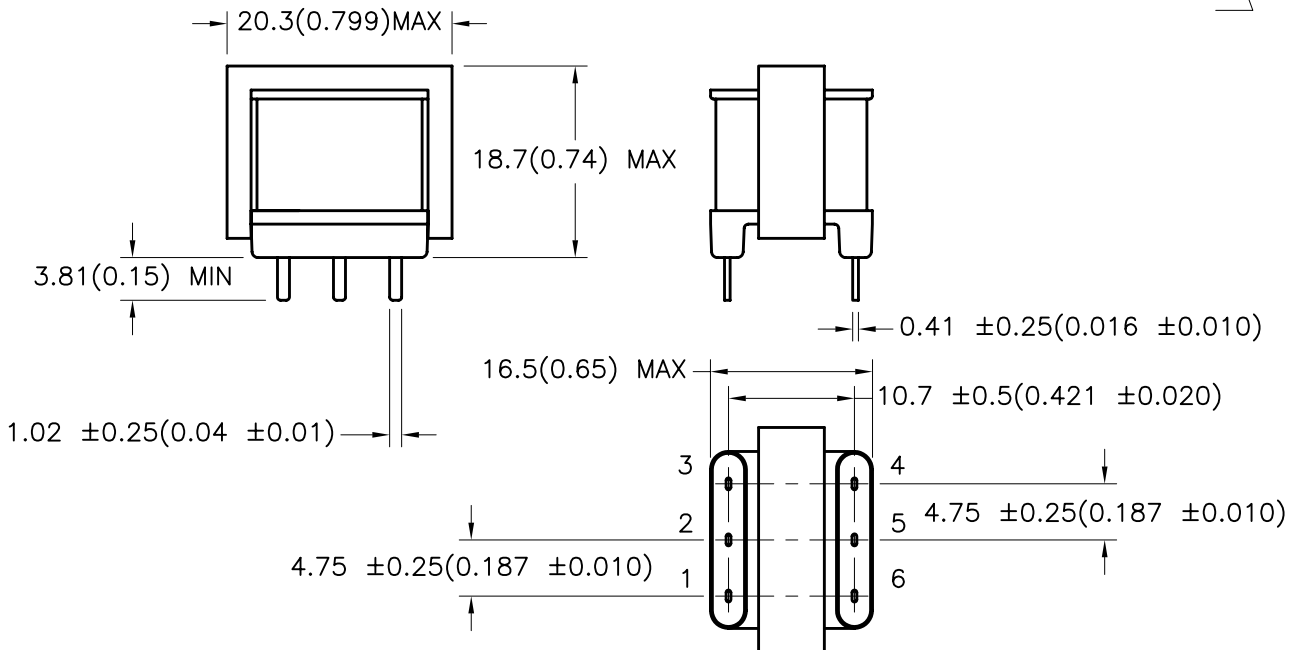
- A. Electrical Specifications (@ 25 ° C)
- Pri Source Impedance; 600 Ω CT
 - Sec Load Impedance; 600 Ω CT
 - Operating Level; -45 dBm to +7 dBm
 - Insertion Loss; 1.2 dB MAX @ 1 KHz, 0 dBm
 - Frequency Response; ±0.5 dB 300 Hz to 3.5 KHz @ 0 dBm
 - Primary Impedance; 600 Ω ±10% @ 300 Hz to 3.5 KHz, 0 dBm
 - Total Harmonic Distortion; 0.5% MAX @ 300 Hz to 3.5 KHz, 0 dBm
 - Return Loss; 22 dB MIN (ERL measurement)
26 dB TYP
 - Longitudinal Balance; 60 dB MIN @ 200 Hz to 1 KHz
40 dB MIN @ 4 KHz
 - DC Resistance; (1-3) = 36 Ω ±20%
(4-6) = 50 Ω ±20%
 - Turns Ratio; (1-3) : (4-6) = 1 : 1.03 ±2%
 - Dielectric Strength; 1500 Vrms 1 minute @ Pri to Sec, Pri to Core
1000 Vrms 1 minute @ Sec to Core
- B. Marking; TTC-09, TAMURA, T2106, MICROTRAN, date code and country of origin
- C. Safety; CSA-C22.2 No. 66-M1988 File No. LR81383
UL 1459 File No. E142035



D. Schematic Diagram



E. Mechanical Specifications



TOLERANCES (mm)	
≤ 4	± 0.2
4 ≤ 20	± 0.3
20 ≤ 50	± 0.4

PREPARED BY:
K. BRENNAN

ENGINEER:
M. PITCHAI

QUALITY CONTROL:
T. CLEM

APPROVED:
Y. SEKIGUCHI

DWG CONTROL NO.
P-A1-10522
ACAD\TTC\A1105221.DWG

REV
C

TELECOMMUNICATION COUPLING TRANSFORMER
TAMURA CORPORATION OF AMERICA
43352 BUSINESS PARK DRIVE, TEMECULA, CA. 92590-6624
(951) 699-1270 FAX 9516769482

TTC-09
MODEL SPECIFICATION
DIM: mm[In] SCL: 1/1 SH: 1 OF 1

PROPRIETARY NOTICE: THIS DRAWING PRINT OR DOCUMENT AND SUBJECT MATTER DISCLOSED HEREIN ARE PROPRIETARY ITEMS TO WHICH TAMURA RETAINS THE EXCLUSIVE RIGHT OF DISSEMINATION, REPRODUCTION, MANUFACTURE AND SALE. THIS DRAWING, PRINT OR DOCUMENT IS SUBMITTED IN CONFIDENCE FOR CONSIDERATION BY THE RECIPIENT ALONE UNLESS PERMISSION FOR FURTHER DISCLOSURE IS EXPRESSLY GRANTED IN WRITING.