

REVISION -
02/24/00 TS

REVISION A
CHANGED ISO
DRAWING.
05/03/00 TS

PULSE TRANSFORMER

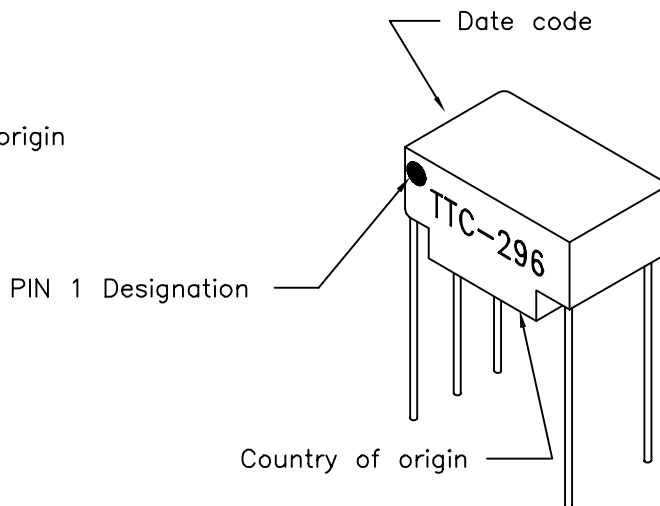
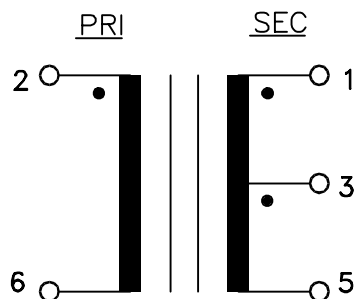
A. Electrical specification (@ 25°C)

1. Turns ratio;
 $(2-6) : (5-1) = 1 : 1.26 \pm 5\%$
 $(2-6) : (5-3) = 1 : 1.00 \pm 5\%$
2. Primary open circuit inductance;
 1.5mH MIN @ 10KHz, 20mV (2-6)
3. Primary ET-constant
 10V- μ S MIN
4. Interwinding capacitance between primary and secondary;
 40.0pF MAX @ 100KHz
5. Primary leakage inductance with shorted secondary;
 0.4 μ H MAX @ 100KHz, 20mV (2-6)
6. DC Resistance;
 Primary (2-6) 0.7 Ω MAX
 Secondary (1-5) 0.9 Ω MAX
7. Dielectric strength;
 1.5KVAC 1 minute
8. Insulation resistance;
 10,000M Ω MIN @ 500VDC

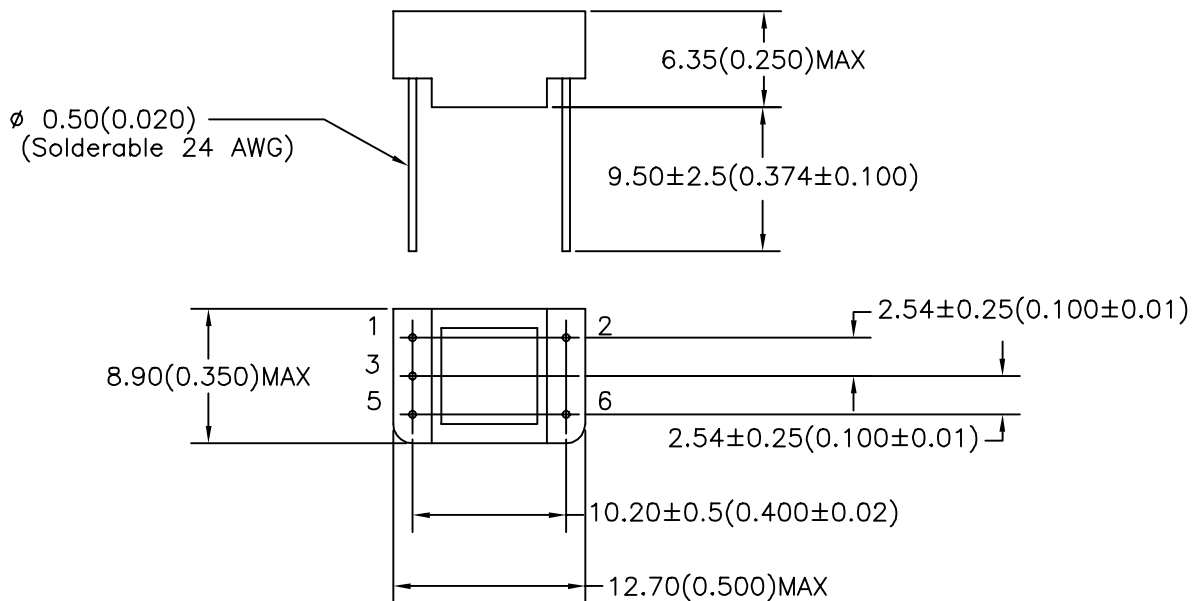
B. Marking;

TTC-296, date code and country of origin

C. Schematic diagram



D. Mechanical Specification



PREPARED BY:

D. Rund
ENGINEER:

T. Shiozawa
QUALITY CONTROL:

D. Kelley
APPROVED:

J. Coleman

DWG CONTROL NO.
P-A1-12285
ACAD\G-SER\A1122851.DWG

REV
A

PULSE TRANSFORMER
TAMURA CORPORATION OF AMERICA
43352 BUSINESS PARK DRIVE, TEMECULA, CA. 92590-6624
(909) 699-1270 FAX 9096769482

TTC-296

MODEL SPECIFICATION

DIM: mm(In) SCL: 2/1 SH: 1 OF 1

PROPRIETARY NOTICE: THIS DRAWING PRINT OR DOCUMENT AND SUBJECT MATTER DISCLOSED HEREIN ARE PROPRIETARY ITEMS TO WHICH TAMURA RETAINS THE EXCLUSIVE RIGHT OF DISSEMINATION, REPRODUCTION, MANUFACTURE AND SALE. THIS DRAWING, PRINT OR DOCUMENT IS SUBMITTED IN CONFIDENCE FOR CONSIDERATION BY THE RECIPIENT ALONE UNLESS PERMISSION FOR FURTHER DISCLOSURE IS EXPRESSLY GRANTED IN WRITING.

MODEL NUMBER
TTC-296