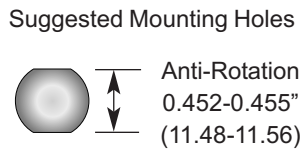
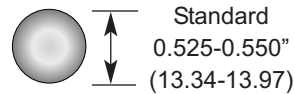
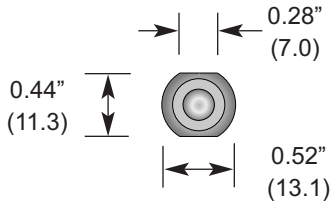
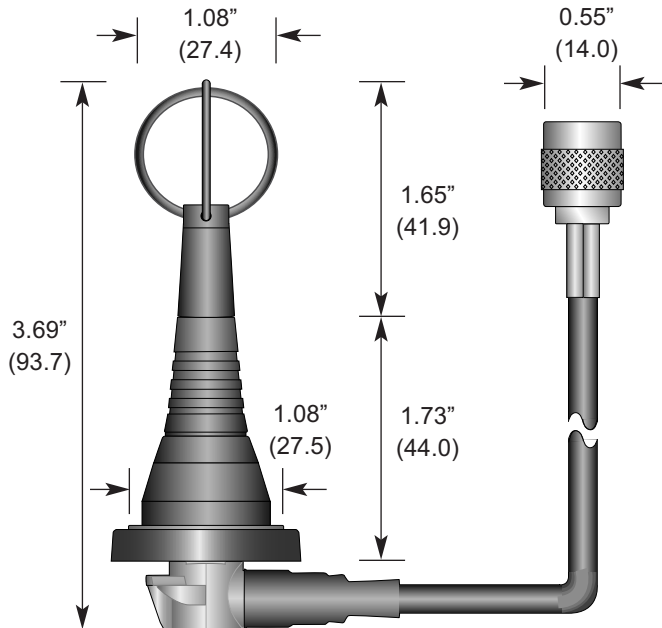


Product Dimensions



Description



Designed for permanent mounting through a metal surface such as an automobile roof or trunk, this compact RMT antenna offers outstanding performance in a durable and futuristic housing. The antenna may be operated at either or both of two frequency bands. It is supplied with 14.1 feet (4.3m) of RG-58 cable and can be terminated in an FCC Part 15 compliant RP-SMA connector or a TNC connector.

Features

- Dual-band (860-960MHz and 1.8GHz)
- Compact & futuristic
- Through-hole mount
- Low VSWR
- Excellent performance
- Omni-directional pattern
- Fully weatherized
- Durable construction
- RP-SMA or TNC connector

Electrical Specifications

- Freq. Bands. Band 1 860-960MHz
Band 2 1.8GHz
- Bandwidth 200MHz
- Wavelength 1/4-wave
- VSWR <1.5 typ. at center
- Impedance 50 ohms
- Connector RP-SMA or TNC
- Cable 14.1' RG-58 coax

Ordering Information

- ANT-DB1-RMT-RPS (with RP-SMA connector)
- ANT-DB1-RMT-TNC (with TNC connector)

VSWR Graph

