

# PA2400 PA2410

## Patch Antennas

### Specifications

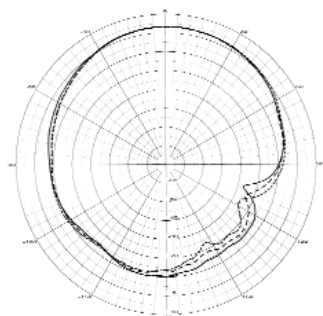
	PA2400	PA2410
Frequency Bandwidth	2.4 - 2.5 GHz	2.4 - 2.5 GHz
Antenna Type	Patch	Patch
Gain	6 dBi	2 dBi
VSWR	Less than 1.9:1	Less than 1.9:1
Nominal Impedance	50 ohms	50 ohms
Radiation Pattern	Directional	Directional
Polarization	Linear	Linear
Connector	Huber-Suhner Type 81 MMCX-50-0-1 Plug	Huber-Suhner Type 81 MMCX-50-0-1 Plug



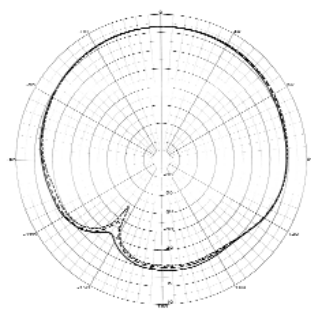
PA2400



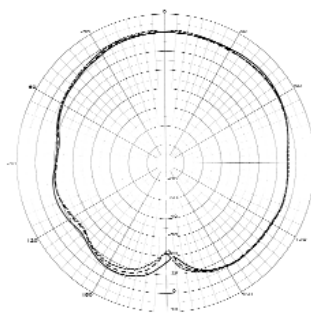
PA2410



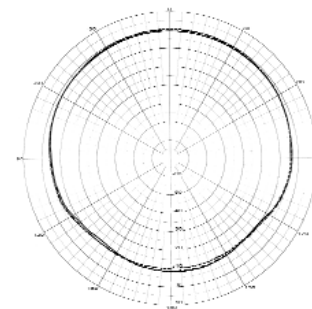
E-Plane  
PA2400 Antenna Pattern



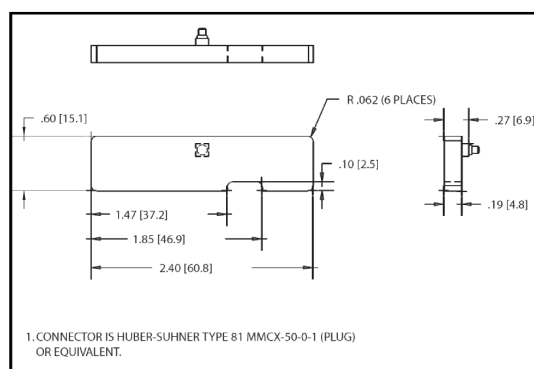
H-Plane



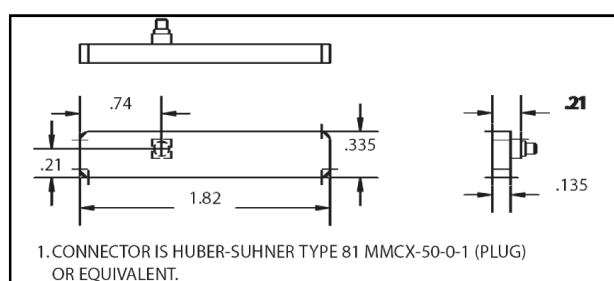
E-Plane  
PA2410 Antenna Pattern



H-Plane



PA2400



PA2410