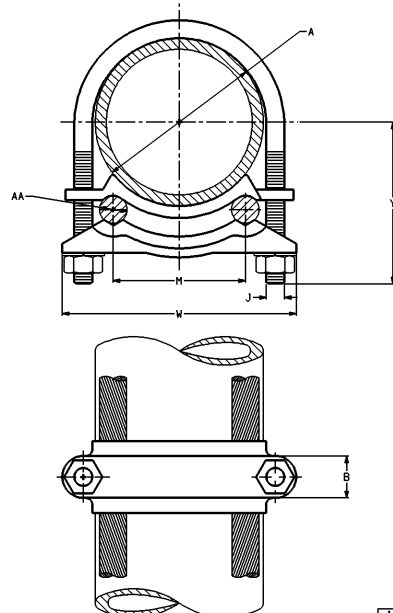


| NOMINAL DIAMETER (IN) | | I.P.S. PIPE ACTUAL DIA. (IN) (MM) | | ROD NOMINAL DIAMETER (IN) (MM) | | AWG MIN MAX | | METRIC WIRE SIZE MIN MAX | | CATALOG NUMBER | B | J | H | W | Y | "U" BOLT | TORQUE LB*IN (Nmm) |
|-----------------------|----------------------------|-----------------------------------|--------------------------|--------------------------------|----------------------|------------------------------|------------------------------|------------------------------|------------------------------|----------------|------------|------------|------------|------------|------------|----------|--------------------|
| 3" | 3.500 [89] | 3" | 3.00 | 3" | 3.00 [76] | #4 SOL (.204 DIA) | 2/0 STR (.416 DIA) | 25mm ² STR(6.5) | 50mm ² STR(9.3) | | | | | | | | |
| 3" | 3.500 [89] | 3" | 3.00 | 3" | 3.00 [76] | 2/0 SOL (.365 DIA) | 250 kcmil (.575 DIA) | 70mm ² STR(10.9) | 120mm ² STR(14.4) | 6D2029 | 1.50 [38] | 3/8" [10] | 2.88 [73] | 4.81 [118] | 3.38 [83] | 258 | 240 [27.0] |
| 3" | 3.500 [89] | 3" | 3.00 | 3" | 3.00 [76] | 300 kcmil (.630 DIA) | 500 kcmil (.814 DIA) | 185mm ² STR(17.8) | 240mm ² STR(20.3) | 6D2034 | 1.56 [40] | 1/2" [13] | 2.31 [59] | 5.31 [130] | 4.00 [98] | 282 | 480 [54.1] |
| 3" | 3.500 [89] | 3" | 3.00 | 3" | 3.00 [76] | 550 kcmil (.855 DIA) | 750 kcmil (.998 DIA) | 300mm ² STR(22.6) | 400mm ² STR(26.1) | 6D2039 | 1.88 [48] | 5/8" [16] | 2.31 [59] | 5.31 [130] | 4.13 [101] | --- | 660 [74.4] |
| 3" | 3.500 [89] | 3" | 3.00 | 3" | 3.00 [76] | 800 kcmil (1.031 DIA) | 1000 kcmil (1.152 DIA) | 400mm ² STR(26.1) | 500mm ² STR(28.3) | 6D2044 | 2.00 [51] | 5/8" [16] | 2.31 [59] | 5.31 [130] | 4.25 [104] | --- | 660 [74.4] |
| 3 1/2" | 4.000 [102] | 3 1/2" | 3.50 | 3 1/2" | 3.50 [89] | #8 SOL (.129 DIA) | #4 STR (.232 DIA) | 10mm ² SOL(2.6) | 16mm ² STR(5.1) | 6D2140 | 1.44 [37] | 3/8" [10] | 2.31 [59] | 5.31 [130] | 3.75 [92] | 264 | 240 [27.0] |
| 3 1/2" | 4.000 [102] | 3 1/2" | 3.50 | 3 1/2" | 3.50 [89] | #4 SOL (.204 DIA) | 2/0 STR (.416 DIA) | 25mm ² STR(6.5) | 50mm ² STR(9.3) | 6D2126 | 1.50 [38] | 3/8" [10] | 2.31 [59] | 5.31 [130] | 3.75 [92] | 264 | 240 [27.0] |
| 3 1/2" | 4.000 [102] | 3 1/2" | 3.50 | 3 1/2" | 3.50 [89] | 2/0 SOL (.365 DIA) | 250 kcmil (.575 DIA) | 70mm ² STR(10.9) | 120mm ² STR(14.4) | 6D2128 | 1.50 [38] | 3/8" [10] | 2.31 [59] | 5.31 [130] | 3.75 [92] | 264 | 240 [27.0] |
| 3 1/2" | 4.000 [102] | 3 1/2" | 3.50 | 3 1/2" | 3.50 [89] | 300 kcmil (.630 DIA) | 500 kcmil (.814 DIA) | 185mm ² STR(17.8) | 240mm ² STR(20.3) | 6D2134 | 1.56 [40] | 1/2" [13] | 3.13 [80] | 5.69 [139] | 3.25 [80] | 436 | 480 [54.1] |
| 3 1/2" | 4.000 [102] | 3 1/2" | 3.50 | 3 1/2" | 3.50 [89] | 550 kcmil (.855 DIA) | 750 kcmil (.998 DIA) | 300mm ² STR(22.6) | 400mm ² STR(26.1) | 6D2139 | 1.88 [48] | 5/8" [16] | 2.88 [73] | 6.06 [148] | 4.88 [120] | 373 | 660 [74.4] |
| 3 1/2" | 4.000 [102] | 3 1/2" | 3.50 | 3 1/2" | 3.50 [89] | 800 kcmil (1.031 DIA) | 1000 kcmil (1.152 DIA) | 400mm ² STR(26.1) | 500mm ² STR(28.3) | 6D2144 | 2.00 [51] | 5/8" [16] | 2.75 [70] | 6.06 [148] | 4.88 [120] | 373 | 660 [74.4] |
| 4" | 4.500 [114] | 4" | 4.00 | 4" | 4.00 [102] | #8 SOL (.129 DIA) | #4 STR (.232 DIA) | 10mm ² SOL(2.6) | 16mm ² STR(5.1) | 6D224C | 1.56 [40] | 3/8" [10] | 4.19 [106] | 5.94 [146] | 3.69 [90] | 261 | 240 [27.0] |
| 4" | 4.500 [114] | 4" | 4.00 | 4" | 4.00 [102] | #4 SOL (.204 DIA) | 2/0 STR (.416 DIA) | 25mm ² STR(6.5) | 50mm ² STR(9.3) | 6D2226 | 1.63 [41] | 3/8" [10] | 3.75 [95] | 5.81 [142] | 3.69 [90] | 261 | 240 [27.0] |
| 4" | 4.500 [114] | 4" | 4.00 | 4" | 4.00 [102] | 300 kcmil (.630 DIA) | 500 kcmil (.814 DIA) | 150mm ² STR(18.0) | 240mm ² STR(20.3) | 6D2229 | 1.63 [41] | 3/8" [10] | 3.69 [94] | 5.81 [142] | 3.69 [90] | 261 | 240 [27.0] |
| 4" | 4.500 [114] | 4" | 4.00 | 4" | 4.00 [102] | 550 kcmil (.855 DIA) | 750 kcmil (.998 DIA) | 300mm ² STR(22.6) | 400mm ² STR(26.1) | 6D2234 | 1.38 [35] | 1/2" [13] | 3.31 [84] | 6.19 [152] | 4.00 [98] | 262 | 480 [54.1] |
| 4" | 4.500 [114] | 4" | 4.00 | 4" | 4.00 [102] | 800 kcmil (1.031 DIA) | 1000 kcmil (1.152 DIA) | 400mm ² STR(26.1) | 500mm ² STR(28.3) | 6D2239 | 1.88 [48] | 5/8" [16] | 3.63 [92] | 6.56 [161] | 4.13 [101] | 377 | 660 [74.4] |
| 4" | 4.500 [114] | 4" | 4.00 | 4" | 4.00 [102] | 800 kcmil (1.031 DIA) | 1000 kcmil (1.152 DIA) | 400mm ² STR(26.1) | 500mm ² STR(28.3) | 6D2244 | 2.00 [51] | 5/8" [16] | 3.25 [83] | 6.56 [161] | 4.13 [101] | 377 | 660 [74.4] |
| 1/2" OR 3/4" | .640 OR 1.050 [21] OR [27] | 7/8" OR 1" | .875 OR .25 [22] OR [25] | #8 SOL (.129 DIA) | #4 STR (.232 DIA) | 10mm ² SOL(2.6) | 16mm ² STR(5.1) | 6D114C | 1.13 [29] | 5/8" [16] | 3.25 [83] | 2.38 [58] | 1.75 [43] | 222 | 650 [74.4] | | |
| 6" | 6.625 [168] | - | - | #4 SOL (.204 DIA) | 2/0 STR (.416 DIA) | 25mm ² STR(6.5) | 50mm ² STR(9.3) | 6D8626 | 1.63 [41] | 1/2" [13] | 6.03 [153] | 6.19 [201] | 4.31 [106] | 275 | 480 [54.1] | | |
| - | - | 3/4" | .75 [19] | 300 kcmil (.630 DIA) | 500 kcmil (.814 DIA) | 150mm ² STR(18.0) | 240mm ² STR(20.3) | 6D6434 | 1.56 [40] | 1/2" [13] | 1.00 [25] | 3.59 [88] | 3.69 [90] | 302 | 480 [54.1] | | |



- NOTES:
1. MATERIAL: CAST COPPER ALLOY, DURIUM #6 (U-BOLT, HEX NUTS & S.P.L.W.).
 2. UL 467 LISTED, FILE NO. E9999. ACCEPTABLE FOR DIRECT BURIAL.
 3. SUITABLE FOR BURIAL IN GROUND OR CONCRETE.
 4. DIMENSIONS IN BRACKETS [] ARE IN MILLIMETERS, ROUNDED OFF TO THE NEAREST MILLIMETER, UNLESS OTHERWISE NOTED, AND ARE FOR REFERENCE ONLY.

| GROUND CONNECTOR | |
|--|----------------|
| PAT NO. GD - (TABLE) | SCALE |
| DESIGNER: R. ROSSIGALLI | DATE: 1/24/80 |
| DESIGN APPROV.: G. DI TORO | DATE: 11/17/80 |
| DRG. APPROV.: A. LLOYD | DATE: 12/2/80 |
| 2D FILE: SD13775-SHT02 | PROJ. NO. 1556 |
| | |
| U.S. ELECTRICAL DIVISION MANCHESTER, NH 03108 | |
| REV. 13 | DATE 5/24/84 |
| DESCRIPTION | DESCRIPTION |
| BY: KFM | CHK'D: KFM |
| SD13775 sheet 2 of 2 | |