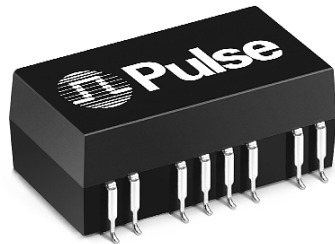


# ISDN S-INTERFACE TRANSFORMERS

## Surface Mount, Dual, 3KVrms



- ✔ Meets the pulse waveform template of CCITT I.430, using recommended transformer and chip pair
- ✔ Transfer-molded (IC grade) package
- ✔ 5mA  $\Delta I_{DC}$  — suitable for Terminal, PBX and NT applications

### Electrical Specifications @ 25°C — Operating Temperature 0°C to 70°C

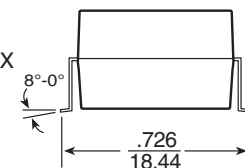
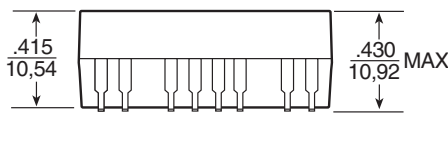
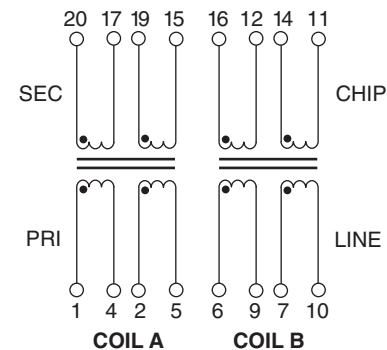
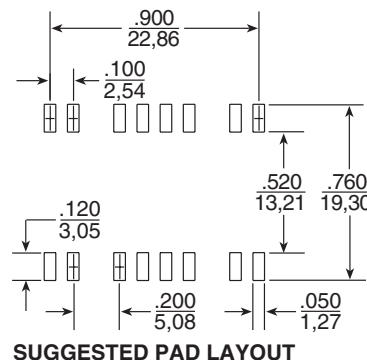
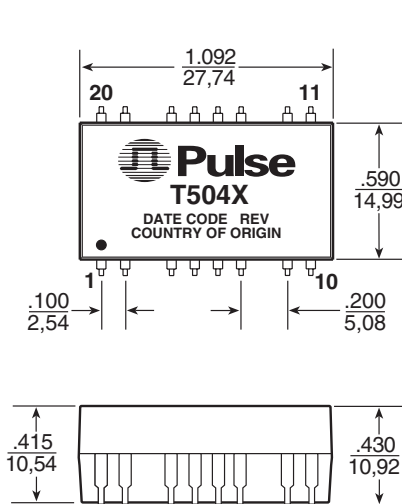
Part Number	Ratio Pri:Sec Coil A & B ( $\pm 2\%$ )	OCL Pri (mH MIN)	Ll Sec ( $\mu$ H MAX)	Cw/w (pF MAX)	CD Pri Coil A & B (pF MAX)	DCR Pri ( $\Omega$ MAX)	DCR Sec ( $\Omega$ MAX)	$\Delta I_{DC}$ (mA MAX)	Hipot (Pri:Sec) (Vrms MIN)
T5042	1:2	22	30	120	100	3.0	5.0	5	3000
T5043	1:2.5	22	30	120	100	3.0	7.0	5	3000

Note: Optional Tape & Reel packaging can be ordered by adding a "T" suffix to the part number (ex: T5042T).

### Mechanical

### Schematic

#### MAT



Weight . . . . . 8.5 grams  
Tape & Reel . . . . . 200/reel  
Tube . . . . . 15/tube

Dimensions:  $\frac{\text{Inches}}{\text{mm}}$   
Unless otherwise specified, all tolerances are  $\pm \frac{.010}{0,25}$

### For More Information:

#### Pulse Worldwide Headquarters

12220 World Trade Drive  
San Diego, CA 92128  
U.S.A.  
[www.pulseeng.com](http://www.pulseeng.com)  
TEL: 858 674 8100  
FAX: 858 674 8262

#### Pulse Northern Europe

3 Huxley Road  
Surrey Research Park  
Guildford, Surrey GU2 5RE  
United Kingdom  
TEL: 44 1483 401700  
FAX: 44 1483 401701

#### Pulse Southern Europe

Zone Industrielle  
F-39270  
Orgelet  
France  
TEL: 33 3 84 35 04 04  
FAX: 33 3 84 25 46 41

#### Pulse China Headquarters

No. 1  
Industrial District  
Changan, Dongguan  
China  
TEL: 86 769 5538070  
FAX: 86 769 5538870

#### Pulse North China

Room 1002  
No. 819  
Nanjing West Rd  
Shanghai  
China  
TEL: 86 21 32181071  
FAX: 86 21 32181396

#### Pulse South Asia

150 Kampong Ampat  
#07-01/02  
KA Centre  
Singapore 368324  
TEL: 65 6287 8998  
FAX: 65 6280 0080

#### Pulse North Asia

3F-4, No. 81, Sec. 1  
Hsin Tai Wu Road  
Hsi-Chih  
Taipei Hsien  
Taiwan  
TEL: 886 2 26980228  
FAX: 886 2 26980948

Performance warranty of products offered on this data sheet is limited to the parameters specified. Data is subject to change without notice. Other brand and product names mentioned herein may be trademarks or registered trademarks of their respective owners.

© Copyright, 2006. Pulse Engineering, Inc. All rights reserved.

[www.pulseeng.com](http://www.pulseeng.com)

T638.A (1/06)