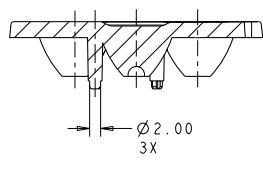
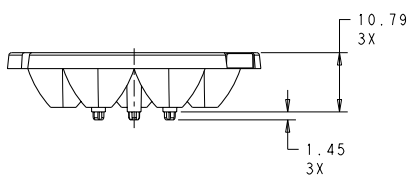
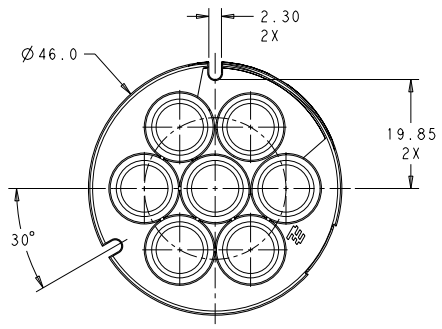
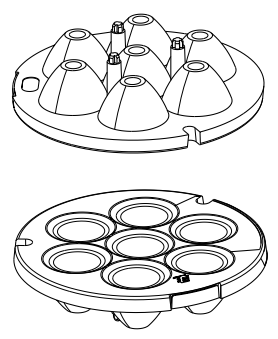


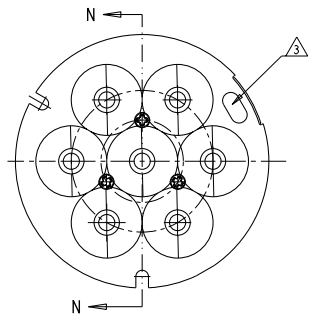
REVISIONS					
P	LYR	DESCRIPTION	DATE	BY	APPD
2		UPDATE DIMS	08/28/2011	CD	MM
3		ADD NOTE 3; COL TO TABLE	28MAR2011	CD	MM



SECTION N-N



- △ MATERIAL: OPTICALLY CLEAR ACRYLIC
- 2. MUST COMPLY WITH DIRECTIVE 2002/95/EC (ROHS)
- △ BEAM ANGLE IDENTIFICATION MOLDED APPROX. AS SHOWN



THIS PRINT IS
PRELIMINARY
UNQUALIFIED PRODUCT
CONTACT PRODUCT ENGINEERING
BEFORE USING THIS PRINT

FL	40°	FLOOD	2154162-3
NF	25°	NARROW FLOOD	2154162-2
SP	18°	SPOT	2154162-1
BEAM ANGLE I.D. △	BEAM ANGLE	BEAM DISTRIBUTION	PART NO.

THIS DRAWING IS A CONTROLLED DOCUMENT.		DATE: 21SEP2010	TE Connectivity	
DRAWN BY: C. DAILY		DATE: 21SEP2010	OPTIC, ROUND TIR, 7 LED CNS8	
CHECKED BY: M. HUSTOLLER		DATE:	RESTRICTED TO	
DIMENSIONS: mm		PRODUCT SPEC:	SHEET: A200779	CASE CODE: C=2154162
MATERIAL: △		APPLICATION SPEC:	DRAWING NO:	SCALE: 2:1
FINISH:		WEIGHT:	SHEET: 1	OF: 1
CUSTOMER DRAWING		REVISIONS:	REV: 3	