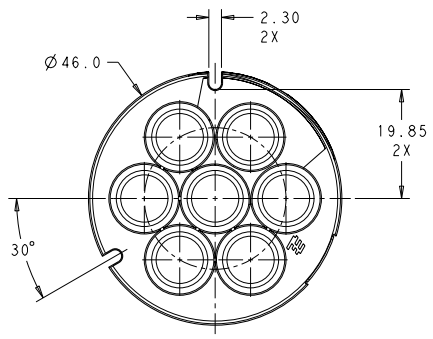
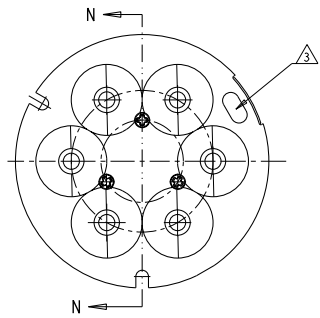
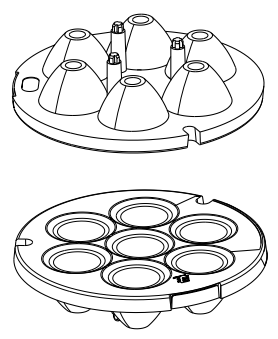
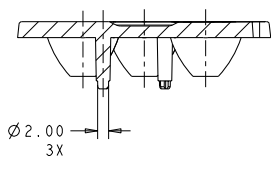
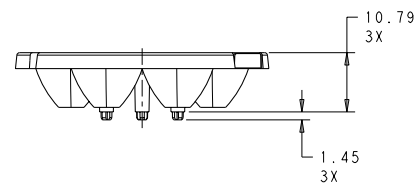


REVISIONS					
P	LYR	DESCRIPTION	DATE	BY	APPV
1		PROPOSED	08FEB2011	CD	MM
2		ADDED NOTE 3: ADDED COL TO TABLE	20MAR2011	CD	MM



- △ MATERIAL: OPTICALLY CLEAR ACRYLIC
- 2. MUST COMPLY WITH DIRECTIVE 2002/95/EC (ROHS)
- △ BEAM ANGLE IDENTIFICATION MOLDED APPROX. AS SHOWN



SECTION N-N

THIS PRINT IS  
**PRELIMINARY**  
UNQUALIFIED PRODUCT  
CONTACT PRODUCT ENGINEERING  
BEFORE USING THIS PRINT

FL	40°	FLOOD	2154163-3
NF	25°	NARROW FLOOD	2154163-2
SP	18°	SPOT	2154163-1
BEAM ANGLE I.D. △	BEAM ANGLE △	BEAM DISTRIBUTION	PART NO.

THIS DRAWING IS A CONTROLLED DOCUMENT. **TE** TE Connectivity

DESIGNED BY: C. DAILY	DATE: 08FEB2011	NAME: <b>TE</b>	PART NO. OPTIC. ROUND TIR, 6 LED CNS8
CHECKED BY: J. MOSTOLLER	DATE: 08FEB2011		
DIMENSIONS: mm	TO DIMENSIONS UNLESS OTHERWISE SPECIFIED	PRODUCT SPEC	SHEET CASE CODE DRAWING NO. RESTRICTED TO
0 PLC	2	APPLICATION SPEC	A200779 ©=2154163
1 PLC	20.2	WEIGHT	SCALE 2:1 SHEET 1 OF 1 REV 2
2 PLC	20.13	CUSTOMER DRAWING	
3 PLC	2		
4 PLC	2		
5 PLC	2		
6 PLC	2		
ANGLES	30°		
FINISH	-		