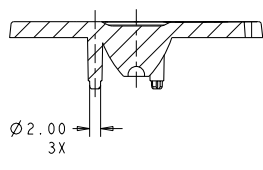
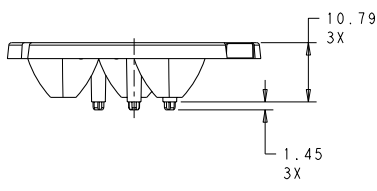
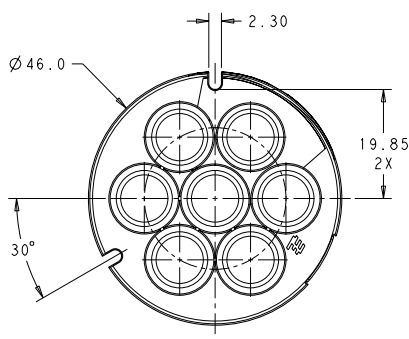
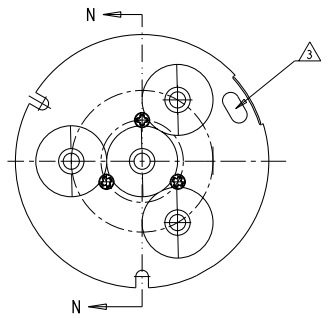
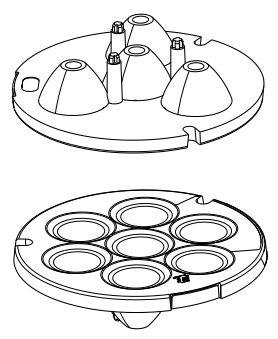


REVISIONS					
P	LYR	DESCRIPTION	DATE	BY	APPD
1		PROPOSED	08FEB2011	CD	MM
2		ADDED NOTE 3: ADDED COL TO TABLE	20MAR2011	CD	MM



△ MATERIAL: OPTICALLY CLEAR ACRYLIC
 2. MUST COMPLY WITH DIRECTIVE 2002/95/EC (ROHS)
 △ BEAM ANGLE IDENTIFICATION MOLDED APPROX. AS SHOWN



THIS PRINT IS
PRELIMINARY
 UNQUALIFIED PRODUCT
 CONTACT PRODUCT ENGINEERING
 BEFORE USING THIS PRINT

FL	40°	FLOOD	2154165-3
NF	25°	NARROW FLOOD	2154165-2
SP	18°	SPOT	2154165-1
BEAM ANGLE I.D.	△	BEAM ANGLE	BEAM DISTRIBUTION
			PART NO.

THIS DRAWING IS A CONTROLLED DOCUMENT. **TE** TE Connectivity

DESIGNED BY: C. DAILY	DATE: 08FEB2011	NAME: TE	PRODUCT SPEC: OPTIC. ROUND TIR, 4 LED CNS8
CHECKED BY: M. STOLLER	DATE: 08FEB2011		
DIMENSIONS: mm	TO DIMENSIONS UNLESS OTHERWISE SPECIFIED	APPLICATION SPEC:	SHEET CASE CODE DRAWING NO: A200779 ©=2154165
MATERIAL: △	FINISH: 31	WEIGHT: -	RESTRICTED TO: -
CUSTOMER DRAWING		SCALE: 2:1	SHEET 1 OF 1 REV 2