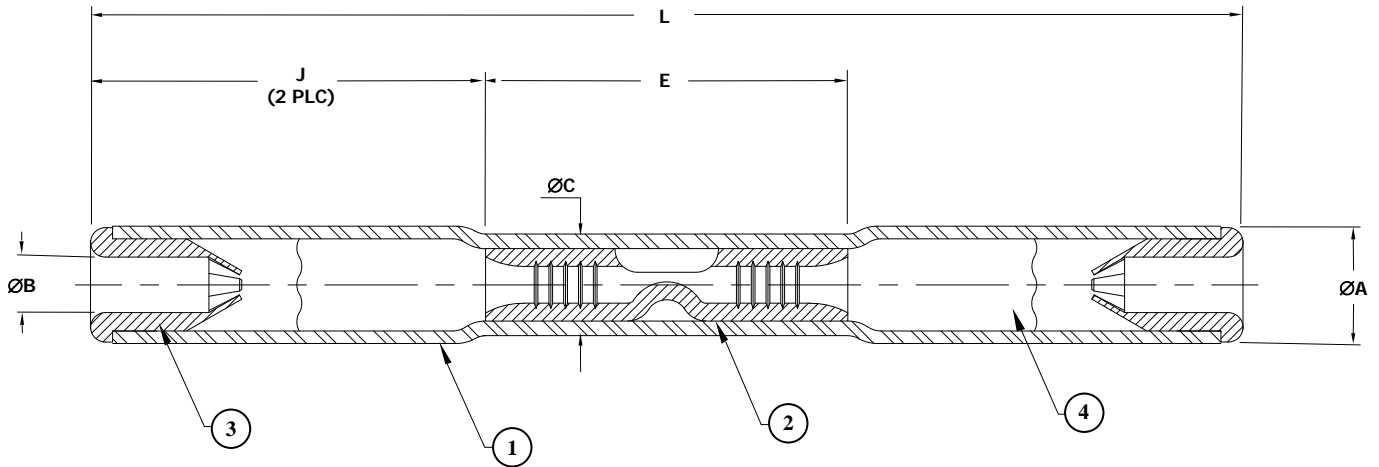


# CUSTOMER DRAWING




| PART NUMBER   | WIRE RANGE  | L ± 1.0<br>(±0.040) | ØA ± 0.5<br>(±0.020) | ØB ± 0.25<br>(±0.010) | ØC ± 0.5<br>(±0.020) | E ± 0.25<br>(±0.010) | J ± 0.50<br>(±0.020) | END CAP<br>COLOR CODE<br>(BOTH ENDS) |
|---------------|-------------|---------------------|----------------------|-----------------------|----------------------|----------------------|----------------------|--------------------------------------|
| D-436-36-COLD | 26-24-22-20 | 36.8<br>(1.450)     | 4.2<br>(0.165)       | 2.0<br>(0.080)        | 3.7<br>(0.145)       | 12.1<br>(0.475)      | 12.7<br>(0.500)      | RED                                  |
| D-436-37-COLD | 18-16       | 37.7<br>(1.484)     | 5.1<br>(0.200)       | 2.9<br>(0.115)        | 4.5<br>(0.175)       | 14.3<br>(0.565)      | 11.8<br>(0.464)      | BLUE                                 |
| D-436-38-COLD | 14-12       | 37.7<br>(1.484)     | 5.9<br>(0.235)       | 3.8<br>(0.150)        | 5.2<br>(0.205)       | 14.3<br>(0.565)      | 11.8<br>(0.464)      | YELLOW                               |

## MATERIALS

- INSULATION SLEEVE: Heat-shrinkable, transparent clear, radiation cross-linked modified polyvinylidene fluoride.
- CRIMP:
  - Base Metal: Copper Alloy 101 or 102 per ASTM B-75, Annealed
  - Plating: Tin-plate per ASTM-B545
- END CAPS: Thermoplastic, Color Coded (See Table)
- GEL: Clear silicone based Gel.

## APPLICATION

- These parts are designed to provide immersion resistant in-line splices of 1 to 1 wires falling within size range listed above, and having insulations rated for 105°C.
- Crimp splices using a Tyco Electronics AD-1381 Crimp Tool.
- Install Cold Crimp Splices per Tyco Electronics RPIP-1102.
- This document takes precedence over documents reference herein.
- Temperature range: -65°C to +150°C.

|  |   |  |  |   |                                |                                       |
|--|---|--|--|---|--------------------------------|---------------------------------------|
|  <b>TE</b> AEROSPACE,<br>DEFENSE & MARINE |   | 300 Constitution Dr<br>Menlo Park, CA<br>94025, U.S.A.   |  | TITLE:<br><b>IMMERSION RESISTANT CRIMP SPLICE<br/>150 DEG C, ROHS COMPLIANT<br/>COLD APPLIED SPLICE</b> |                                |                                       |
|  |   | Unless otherwise specified dimensions are in millimeters.<br>[Inches dimensions are shown in brackets]   |  | Raychem<br>Devices  |                                | DOCUMENT NO.:<br><b>D-436-3X-COLD</b> |
| TOLERANCES:<br>0.00 N/A<br>0.0 N/A<br>0 N/A  | ANGLES: N/A<br><br>ROUGHNESS<br>IN MICRON | Tyco Electronics reserves the right to amend this drawing at any time. Users should evaluate the suitability of the product for their application. |  | REV:<br><b>B</b>  | DATE:<br><b>March 10, 2011</b> |                                       |
| REVISED BY:<br><b>UNGUYEN</b>  | CAGE CODE:<br><b>06090</b>                | ECO NUMBER:<br><b>ECO-11-004984</b>  |  | SCALE:<br><b>NTS</b>  | SIZE:<br><b>A</b>              | SHEET:<br><b>1 of 1</b>               |

© 2010-2011 Tyco Electronics Corporation. All rights reserved.

If this document is printed it becomes uncontrolled. Check for the latest revision.