




Tools



Crimping Tool
RSZ.HE-HN.D-HVT
1-1105850-8




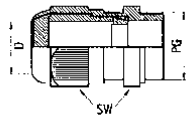
Extraction Tool
AWZG-HN.D-RSZ
0-1105550-8 (for HN.D)



Insertion Tool
1-1105606-8 (for HN.D and HE)

Cable Fittings and Accessories

Gland Fitting, Plastic


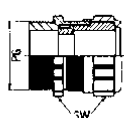



PG	D min	D max	SW
11	5	10	22
13.5	6	12	24
16	10	14	27
21	13	18	33
29	18	25	42
36	22	32	53
42	32	38	60

Part No.	Description	PG Size
1-1106005-7	HUT.11.P	11.0
2-1106005-7	HUT.13.P	13.5
3-1106005-7	HUT.16.P	16.0
4-1106005-7	HUT.21.P	21.0
5-1106005-7	HUT.29.P	29.0
6-1106005-7	HUT.36.P	36.0
7-1106005-7	HUT.42.P	42.0

Protection: IP 68

Gland Fitting, Brass





PG	D min	D max	SW
11	5	10	20
13.5	6	12	22
16	10	14	24
21	13	18	30
29	18	25	40
36	22	32	50
42	30	38	57

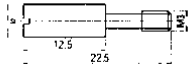
Part No.	Description	PG Size
1-1106006-9	HUT.11.MS	11.0
2-1106006-9	HUT.13.MS	13.5
3-1106006-9	HUT.16.MS	16.0
4-1106006-9	HUT.21.MS	21.0
5-1106006-9	HUT.29.MS	29.0
6-1106006-9	HUT.36.MS	36.0
7-1106006-9	HUT.42.MS	42.0

Protection: IP 68

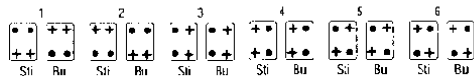
Code Pin



Part No. 1-1106100-1
Description SPB-M3



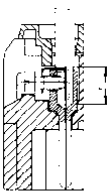
Coding with code pins
For housings with 1 contact insert



Guide pins and bushes on request

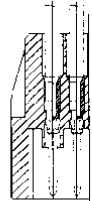
Termination Information for Contact Inserts

Screw Terminal




- all versions with wire protection
- Wire cross section HA 2.5 mm²
- Wire cross section HE 2.5 mm²
- Wire cross section HSB 6 mm²

Crimp Terminal



- Strip length HN.D – 8 mm
- Strip length HE /HA – 7.5 mm

Spring Clamp Terminal



- Wire cross section max. 2.5 mm²
- Wire cross section with wire pin max. 1.5 mm²

Crimp Contacts – Series HN.D

Pin	Socket																																																
<table border="1"> <thead> <tr> <th>Silver Plated</th> <th>Wire Cross Section</th> </tr> </thead> <tbody> <tr><td>1-1105050-1</td><td>0.14 – 0.37 mm²</td></tr> <tr><td>2-1105050-1</td><td>0.50 mm²</td></tr> <tr><td>3-1105050-1</td><td>0.75 – 1.00 mm²</td></tr> <tr><td>4-1105050-1</td><td>1.50 mm²</td></tr> <tr><td>5-1105050-1</td><td>2.50 mm²</td></tr> <tr> <th>Gold Plated</th> <th>Wire Cross Section</th> </tr> <tr><td>1-1105050-2</td><td>0.14 – 0.37 mm²</td></tr> <tr><td>2-1105050-2</td><td>0.50 mm²</td></tr> <tr><td>3-1105050-2</td><td>0.75 – 1.00 mm²</td></tr> <tr><td>4-1105050-2</td><td>1.50 mm²</td></tr> <tr><td>5-1105050-2</td><td>2.50 mm²</td></tr> </tbody> </table>	Silver Plated	Wire Cross Section	1-1105050-1	0.14 – 0.37 mm ²	2-1105050-1	0.50 mm ²	3-1105050-1	0.75 – 1.00 mm ²	4-1105050-1	1.50 mm ²	5-1105050-1	2.50 mm ²	Gold Plated	Wire Cross Section	1-1105050-2	0.14 – 0.37 mm ²	2-1105050-2	0.50 mm ²	3-1105050-2	0.75 – 1.00 mm ²	4-1105050-2	1.50 mm ²	5-1105050-2	2.50 mm ²	<table border="1"> <thead> <tr> <th>Silver Plated</th> <th>Wire Cross Section</th> </tr> </thead> <tbody> <tr><td>1-1105051-1</td><td>0.14 – 0.37 mm²</td></tr> <tr><td>2-1105051-1</td><td>0.50 mm²</td></tr> <tr><td>3-1105051-1</td><td>0.75 – 1.00 mm²</td></tr> <tr><td>4-1105051-1</td><td>1.50 mm²</td></tr> <tr><td>5-1105051-1</td><td>2.50 mm²</td></tr> <tr> <th>Gold Plated</th> <th>Wire Cross Section</th> </tr> <tr><td>1-1105051-2</td><td>0.14 – 0.37 mm²</td></tr> <tr><td>2-1105051-2</td><td>0.50 mm²</td></tr> <tr><td>3-1105051-2</td><td>0.75 – 1.00 mm²</td></tr> <tr><td>4-1105051-2</td><td>1.50 mm²</td></tr> <tr><td>5-1105051-2</td><td>2.50 mm²</td></tr> </tbody> </table>	Silver Plated	Wire Cross Section	1-1105051-1	0.14 – 0.37 mm ²	2-1105051-1	0.50 mm ²	3-1105051-1	0.75 – 1.00 mm ²	4-1105051-1	1.50 mm ²	5-1105051-1	2.50 mm ²	Gold Plated	Wire Cross Section	1-1105051-2	0.14 – 0.37 mm ²	2-1105051-2	0.50 mm ²	3-1105051-2	0.75 – 1.00 mm ²	4-1105051-2	1.50 mm ²	5-1105051-2	2.50 mm ²
Silver Plated	Wire Cross Section																																																
1-1105050-1	0.14 – 0.37 mm ²																																																
2-1105050-1	0.50 mm ²																																																
3-1105050-1	0.75 – 1.00 mm ²																																																
4-1105050-1	1.50 mm ²																																																
5-1105050-1	2.50 mm ²																																																
Gold Plated	Wire Cross Section																																																
1-1105050-2	0.14 – 0.37 mm ²																																																
2-1105050-2	0.50 mm ²																																																
3-1105050-2	0.75 – 1.00 mm ²																																																
4-1105050-2	1.50 mm ²																																																
5-1105050-2	2.50 mm ²																																																
Silver Plated	Wire Cross Section																																																
1-1105051-1	0.14 – 0.37 mm ²																																																
2-1105051-1	0.50 mm ²																																																
3-1105051-1	0.75 – 1.00 mm ²																																																
4-1105051-1	1.50 mm ²																																																
5-1105051-1	2.50 mm ²																																																
Gold Plated	Wire Cross Section																																																
1-1105051-2	0.14 – 0.37 mm ²																																																
2-1105051-2	0.50 mm ²																																																
3-1105051-2	0.75 – 1.00 mm ²																																																
4-1105051-2	1.50 mm ²																																																
5-1105051-2	2.50 mm ²																																																

Crimp Contacts – Series HA/HE

Pin	Socket																																																
<table border="1"> <thead> <tr> <th>Silver Plated</th> <th>Wire Cross Section</th> </tr> </thead> <tbody> <tr><td>1-1105100-1</td><td>0.50 mm²</td></tr> <tr><td>2-1105100-1</td><td>0.75 – 1.00 mm²</td></tr> <tr><td>3-1105100-1</td><td>1.50 mm²</td></tr> <tr><td>4-1105100-1</td><td>2.50 mm²</td></tr> <tr><td>5-1105100-1</td><td>4.00 mm²</td></tr> <tr> <th>Gold Plated</th> <th>Wire Cross Section</th> </tr> <tr><td>1-1105100-2</td><td>0.50 mm²</td></tr> <tr><td>2-1105100-2</td><td>0.75 – 1.00 mm²</td></tr> <tr><td>3-1105100-2</td><td>1.50 mm²</td></tr> <tr><td>4-1105100-2</td><td>2.50 mm²</td></tr> <tr><td>5-1105100-2</td><td>4.00 mm²</td></tr> </tbody> </table>	Silver Plated	Wire Cross Section	1-1105100-1	0.50 mm ²	2-1105100-1	0.75 – 1.00 mm ²	3-1105100-1	1.50 mm ²	4-1105100-1	2.50 mm ²	5-1105100-1	4.00 mm ²	Gold Plated	Wire Cross Section	1-1105100-2	0.50 mm ²	2-1105100-2	0.75 – 1.00 mm ²	3-1105100-2	1.50 mm ²	4-1105100-2	2.50 mm ²	5-1105100-2	4.00 mm ²	<table border="1"> <thead> <tr> <th>Silver Plated</th> <th>Wire Cross Section</th> </tr> </thead> <tbody> <tr><td>1-1105101-1</td><td>0.50 mm²</td></tr> <tr><td>2-1105101-1</td><td>0.75 – 1.00 mm²</td></tr> <tr><td>3-1105101-1</td><td>1.50 mm²</td></tr> <tr><td>4-1105101-1</td><td>2.50 mm²</td></tr> <tr><td>5-1105101-1</td><td>4.00 mm²</td></tr> <tr> <th>Gold Plated</th> <th>Wire Cross Section</th> </tr> <tr><td>1-1105101-2</td><td>0.50 mm²</td></tr> <tr><td>2-1105101-2</td><td>0.75 – 1.00 mm²</td></tr> <tr><td>3-1105101-2</td><td>1.50 mm²</td></tr> <tr><td>4-1105101-2</td><td>2.50 mm²</td></tr> <tr><td>5-1105101-2</td><td>4.00 mm²</td></tr> </tbody> </table>	Silver Plated	Wire Cross Section	1-1105101-1	0.50 mm ²	2-1105101-1	0.75 – 1.00 mm ²	3-1105101-1	1.50 mm ²	4-1105101-1	2.50 mm ²	5-1105101-1	4.00 mm ²	Gold Plated	Wire Cross Section	1-1105101-2	0.50 mm ²	2-1105101-2	0.75 – 1.00 mm ²	3-1105101-2	1.50 mm ²	4-1105101-2	2.50 mm ²	5-1105101-2	4.00 mm ²
Silver Plated	Wire Cross Section																																																
1-1105100-1	0.50 mm ²																																																
2-1105100-1	0.75 – 1.00 mm ²																																																
3-1105100-1	1.50 mm ²																																																
4-1105100-1	2.50 mm ²																																																
5-1105100-1	4.00 mm ²																																																
Gold Plated	Wire Cross Section																																																
1-1105100-2	0.50 mm ²																																																
2-1105100-2	0.75 – 1.00 mm ²																																																
3-1105100-2	1.50 mm ²																																																
4-1105100-2	2.50 mm ²																																																
5-1105100-2	4.00 mm ²																																																
Silver Plated	Wire Cross Section																																																
1-1105101-1	0.50 mm ²																																																
2-1105101-1	0.75 – 1.00 mm ²																																																
3-1105101-1	1.50 mm ²																																																
4-1105101-1	2.50 mm ²																																																
5-1105101-1	4.00 mm ²																																																
Gold Plated	Wire Cross Section																																																
1-1105101-2	0.50 mm ²																																																
2-1105101-2	0.75 – 1.00 mm ²																																																
3-1105101-2	1.50 mm ²																																																
4-1105101-2	2.50 mm ²																																																
5-1105101-2	4.00 mm ²																																																