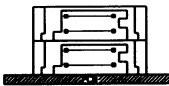
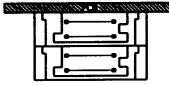
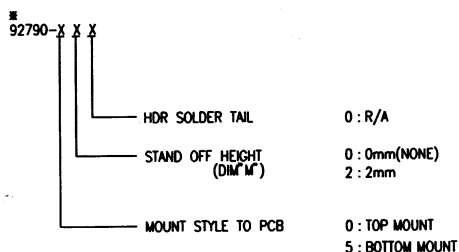



PRODUCT NO.
92790

REVISIONS			
REV.	DESCRIPTION	ECN	BY DATE
A	RELEASED	130018	NT 11/19/90
B	REVISED	J50085	MX 11/14/90

PRODUCT NO.	STAND OFF DIM *M*(mm)	LONG HDR (UPPER DECK)			LONG HDR (LOWER DECK)			HDR COLOR	SHEET NO.	MOUNTING STYLE TO PCB
		HDR+GUIDE 92794-XXX	GUIDE 92791-XXX	HDR 92140-XXX	HDR+GUIDE 92789-XXX	GUIDE 92791-XXX	HDR 92140-XXX			
000	0	000	001	005	000	001	000	BLACK	NO.2	
020	2	020	001	045	020	021	040	BLACK	NO.3	
500	0	500	001	505	500	001	500	NATURAL	NO.4	
520	2	520	001	545	520	021	540	NATURAL	NO.5	



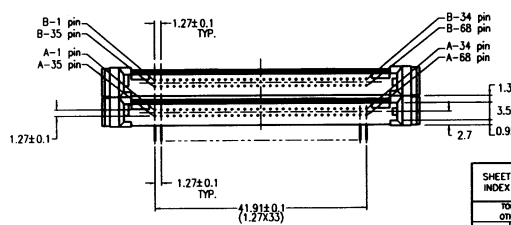
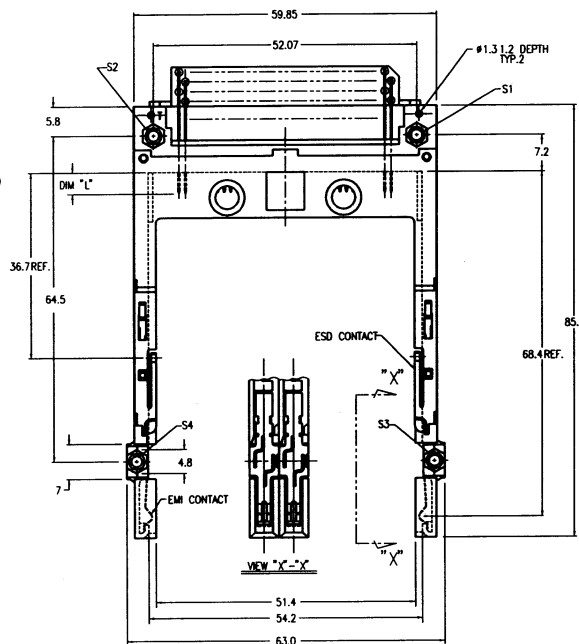
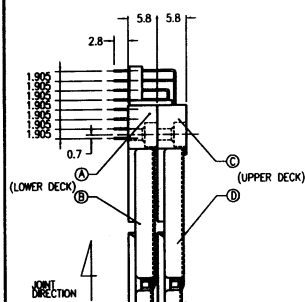
SHEET INDEX	ISSUE	B	B	B	B																		
	SH. NO.	1	2	3	4	5	DR <i>S. Parnade</i> DATE 4/17/90		CUSTOMER COPY														
	TOLERANCES UNLESS OTHERWISE SPECIFIED	FRACTIONAL											TITLE 8BP DOUBLE LONG HEADER FOR TYPE I/II/III (WITH EMI CLIP)										
	LINEAR	FRACTIONAL											SCALE SIZE DWG. NO. 92790 REV/SHEET B 1 of 5										

8P-0038 REV C

DO NOT SCALE PRINT THIS INFORMATION IS CONFIDENTIAL AND IS ORIGINATED TO YOU ON CONDITION THAT NO FURTHER DISCLOSURE IS MADE BY YOU TO OTHER THAN BERG PERSONNEL WITHOUT WRITTEN APPROVAL FROM BERG ELECTRONICS APPROV. E&E

REVISIONS					
REV	DESCRIPTION	ECN	BY	DATE	
A	RELEASED			13/01/81	1/1/79/83
B	REVISED	150085	M.K.	07/79	

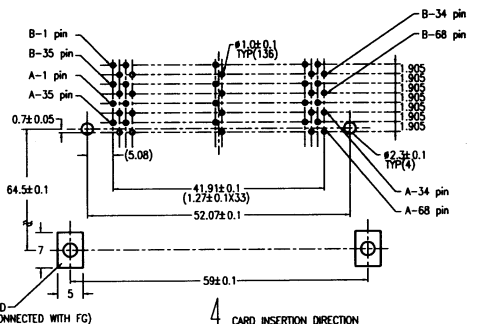
PRODUCT NO.
92790-000



NOTE

- ASSY PROCESS
 - TO MOUNT PART ①, ② ON PWB WITH SCREW (S1,S2) AND SOLDER.
 - TO JOINT PART ③ INTO PART ④, ⑤ THEN FIX PART ③, ④ WITH 2 SCREWS(S3,S4).
- MATERIAL
 - PART ①, ② (HEADER ASSY)
 PLASTIC : HOUSING LCP UL94V-0 BLACK
 LOCATOR G.F./S NYLON UL94V-0 BLACK
 PIN : PHOSPHOR BRONZE
 - PART ③ (GUIDE ASSY)
 PLASTIC : GUIDE POLYIMIDAMIDE UL94V-0 BLACK
 PLATE : STAINLESS
 EMI CONTACT : PHOSPHOR BRONZE
- FINISH(PIN)
 UNDER PLATING : 0.5 μm MIN. Ni
 CONTACT AREA : 0.1 μm MIN. Au OVER 0.5 m MIN. Pd-Ni
 SOLDER TAIL : 2.5 μm MIN. Sn-Pb
- DIM "L"

4.25±0.1	3.5±0.1	5.0±0.1
OTHERS	36.67	37.25
		33.51
- GENERAL TOLERANCE : ±0.3
- SEE SHEET 1 REGARDING COMPONENTS.



RECOMMENDED FOOT PRINT (MOUNTED SIDE)

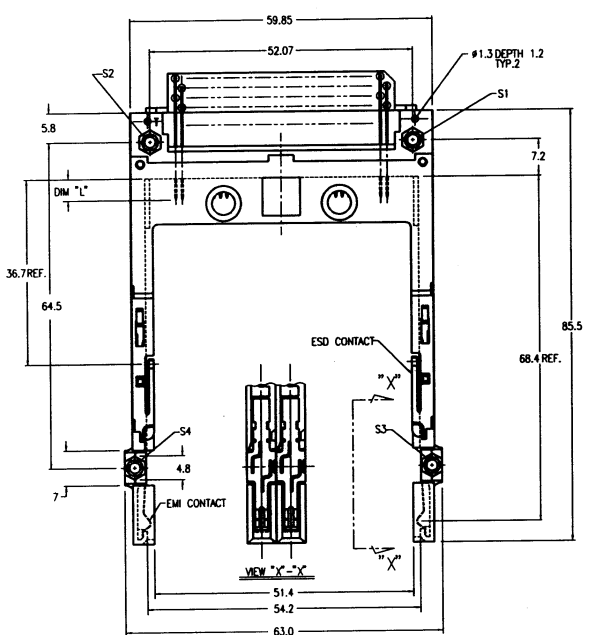
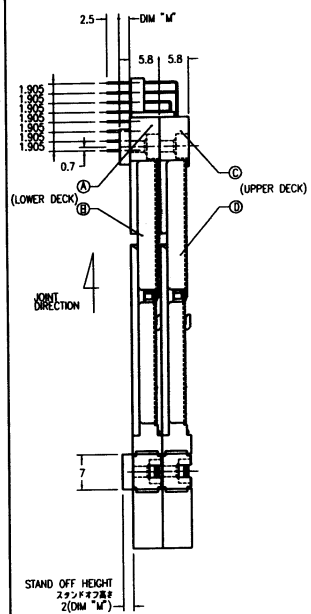
SHEET INDEX	ISSUE	SH. NO.	DATE	CUSTOMER COPY	TITLE
	ISSUE		4/17/79		6SP DOUBLE LONG HEADER
	FOR TYPE				FOR TYPE 1/ II / III (WITH EMI CLIP)
	SCALE				2/1 C.
	SIZE				92790
	DWG. NO.				REV. SHEET
					B 2of

BERG
ELECTRONICS

DO NOT SCALE. PRINT THIS INFORMATION IS CONFIDENTIAL AND IS LOANED TO YOU ON CONDITION THAT NO FURTHER DISCLOSURE IS MADE BY YOU TO OTHER THAN BERG PERSONNEL, WITHOUT WRITTEN AUTHORIZATION FROM BERG ELECTRONICS. APPROV. K.L.

REVISIONS				
REV	DESCRIPTION	ECN	BY	DATE
A	RELEASED	130018	N.I	11/19/93
B	REVISED	150085	M.K	11/17/93

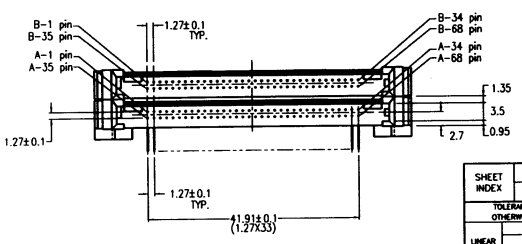
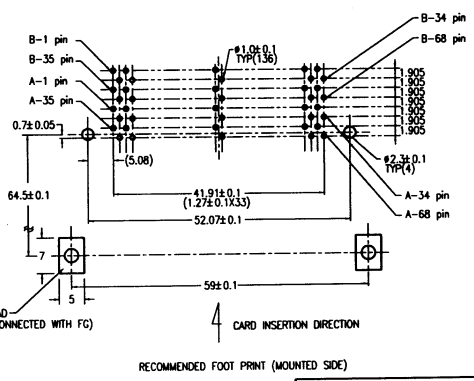
PRODUCT NO.
92790-020



NOTE

- ASSY PROCESS
 - TO MOUNT PART ④, ⑤, ⑥ ON PWB WITH SCREW (S1,S2) AND SOLDER.
 - TO JOINT PART ⑦, ⑧ INTO PART ④, ⑤ THEN FIX PART ④, ⑤ WITH 2 SCREWS(S3,S4).
- MATERIAL
 - PART ④ (HEADER ASSY)
PLASTIC : HOUSING LCP UL94V-0 BLACK
LOCATOR : C1/S/6 NYLON UL94V-0 BLACK
PIN : PHOSPHOR BRONZE
 - PART ⑤ (GUIDE ASSY)
PLASTIC : GUIDE POLYPHTHARAMID UL94V-0 BLACK
PLATE : STAINLESS
EMI CONTACT : PHOSPHOR BRONZE
- FINISH(PIN)
UNDER PLATING : 0.5 μm MIN. Ni
CONTACT AREA : 0.1 μm MIN. Au OVER 0.5 μm MIN. Pd-Ni
SOLDER TAIL : 2.5 μm MIN. Sn-Pb
- DM "L"

4.25±0.1	3.5±0.1	5.0±0.1
OTHERS	36.67	36.5mm
- GENERAL TOLERANCE : ±0.3
- SEE SHEET 1 REGARDING COMPONENTS.



SHEET INDEX	ISSUE	SH. NO.	DATE	CUSTOMER COPY	SCALE	SIZE	DRWG. NO.	REV	SHEET
	TOLERANCES UNLESS OTHERWISE SPECIFIED		DATE 4/17/90		SCALE 2/1	SIZE C	DRWG. NO. 92790		
	SEE NOTE ①		DATE 4/17/90						
	SEE NOTE ②		DATE 4/17/90						

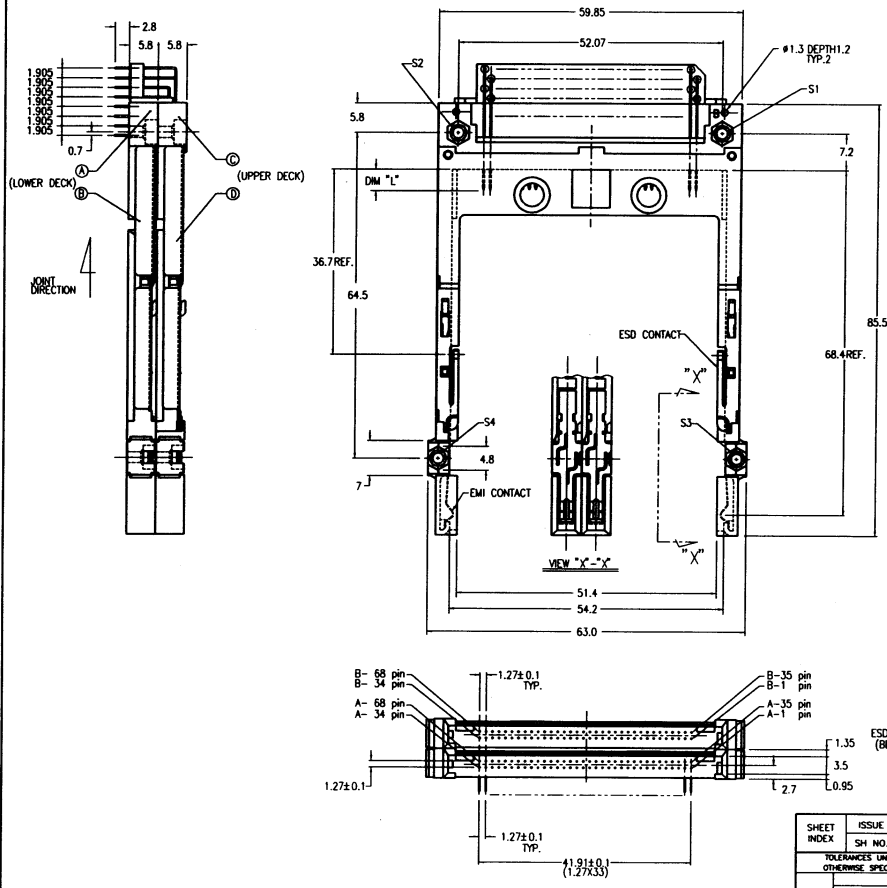
BERG
ELECTRONICS

TITLE 68P DOUBLE LONG HEADER FOR TYPE I / II / III (WITH EMI CLIP)
SCALE 2/1
SIZE C
DRWG. NO. 92790
REV B

BY: 923A REV. C
DO NOT SCALE PRINT THIS INFORMATION IS CONFIDENTIAL AND IS DISCLOSED TO YOU ON CONDITION THAT NO FURTHER DISCLOSURE IS MADE BY YOU TO OTHER THAN BERG PERSONNEL WITHOUT WRITTEN APPROVAL FROM BERG ELECTRONICS JAPAN K.K. ANGLES

PRODUCT NO.
92790-500

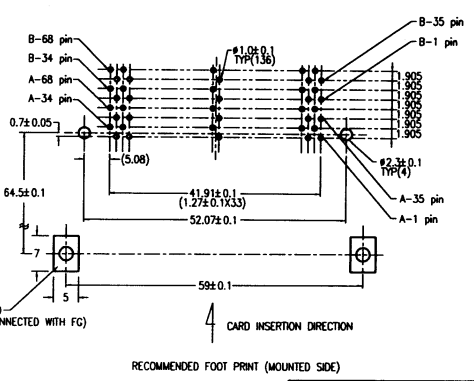
REVISIONS			
REV	DESCRIPTION	ECN	BY DATE
A	RELEASED		US0018/NT 1/19/79
B	REVISED		US0008/MLK 1/27/79



NOTE

- ASSY PROCESS
 - TO MOUNT PART ①, ② ON PWB WITH SCREW (S1,S2) AND SOLDER.
 - TO JOINT PART ③, ④ INTO PART ①, ② THEN FIX PART ⑤, ⑥ WITH 2 SCREWS(S3,S4).
- MATERIAL
 - PART ①, ② (HEADER ASSY)
 - PLASTIC : HOUSING LCP UL94V-0 NATURAL
 - LOCATOR : G.F.6/8 NYLON UL94V-0 BLACK
 - PIN : PHOSPHOR BRONZE
 - PART ③, ④ (GUIDE ASSY)
 - PLASTIC : GUIDE POLYPHTHARAMID UL94V-0 BLACK
 - PLATE : STAINLESS
 - EMI CONTACT : PHOSPHOR BRONZE
- FINISH(PIN)
 - UNDER PLATING : 0.5 μm MIN. Ni
 - CONTACT AREA : 0.1 μm MIN. Au OVER 0.5 μm MIN. Pd-Ni
 - SOLDER TAIL : 2.5 μm MIN. Sn-Pb
- DIM "L"

4.25±0.1	3.5±0.1	5.0±0.1
OTHERS	36.67	33.5
- GENERAL TOLERANCE : ±0.3
- SEE SHEET 1 REGARDING COMPONENTS.



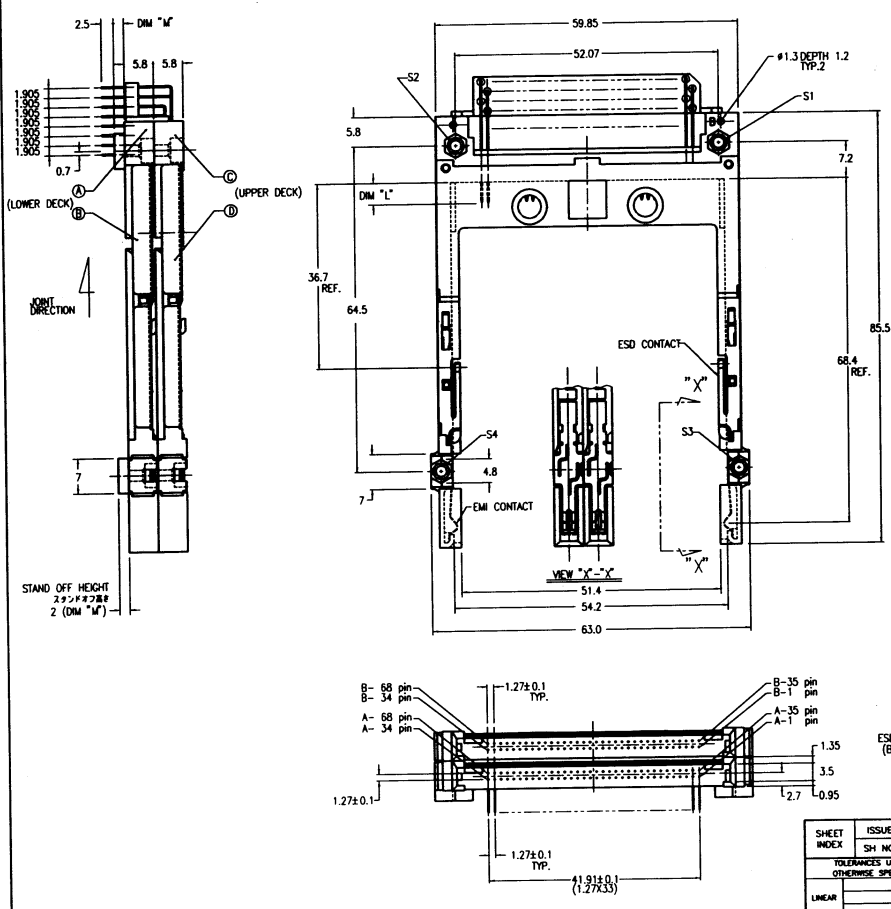
01-0034 REV. C
DO NOT SCALE PRINT THIS INFORMATION IS CONFIDENTIAL AND IS DISCLOSED TO YOU ON CONDITION THAT NO FURTHER DISCLOSURE IS MADE BY YOU TO OTHER THAN BERG PERSONNEL WITHOUT WRITTEN APPROVAL FROM BERG ELECTRONICS JAPAN CO.

SHEET INDEX	ISSUE	SH NO.	DATE	BY	CHKD	APPV	CUSTOMER COPY	TITLE
								68P DOUBLE LONG HEADER FOR TYPE I / II / III (WITH EMI CLIP)
								SCALE SIZE DWG. NO. 92790
								UNIT 2/1 C
								REV 1/1
								4 of 4

BERG
ELECTRONICS

REVISIONS			
REV	DESCRIPTION	ECN	BY DATE
A	RELEASED	130018	N.T. 1/29/79
B	REVISED	150085M.K.	4/27/79

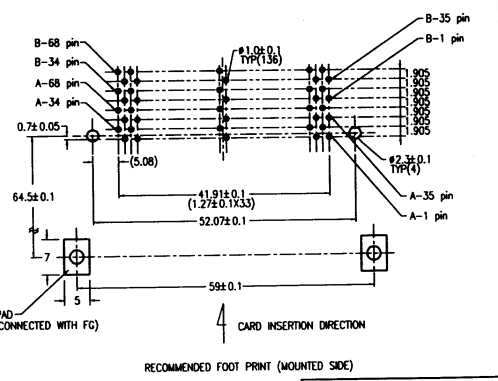
PRODUCT NO.
92790-520



NOTE

- ASSY PROCESS
 - TO MOUNT PART ②, ③ ON PWB WITH SCREW (S1,S2) AND SOLDER.
 - TO JOINT PART ②, ③ INTO PART ①, ④ THEN FIX PART ②, ③ WITH 2 SCREWS(S3,S4).
- MATERIAL
 - PART ①, ④ (HEADER ASSY)
 PLASTIC : HOUSING LCP UL94V-0 NATURAL
 : LOCATOR G.F.6/8 NYLON UL94V-0 BLACK
 PIN : PHOSPHOR BRONZE
 - PART ②, ③ (GUIDE ASSY)
 PLASTIC : GUIDE POLYPHTHAMID UL94V-0 BLACK
 PLATE : STAINLESS
 EMI CONTACT : PHOSPHOR BRONZE
- FINISH(PIN)
 - UNDER PLATING : 0.5 μm MIN. Ni
 - CONTACT AREA : 0.1 μm MIN. Au OVER 0.5 μm MIN. Pd-Ni
 - SOLDER TAIL : 2.5 μm MIN. Sn-Pb
- DIM "L"

4.25±0.1	3.58±0.1	5.0±0.1
OTHERS 35.67 ±0.3		
- GENERAL TOLERANCE : ±0.3
- SEE SHEET 1 REGARDING COMPONENTS.



SHEET INDEX	ISSUE	SH NO.	DATE	CUSTOMER COPY	SCALE	SIZE	UNIC. NO.	REV. SHEET
1	ISSUE	1	4/17/79	✓	1/8"	C	92790	B 5 of 5

BERG
ELECTRONICS

68P DOUBLE LONG HEADER
FOR TYPE I / II / III (WITH EMI CLIP)