



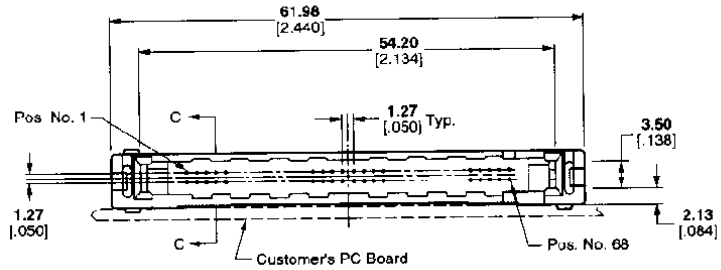
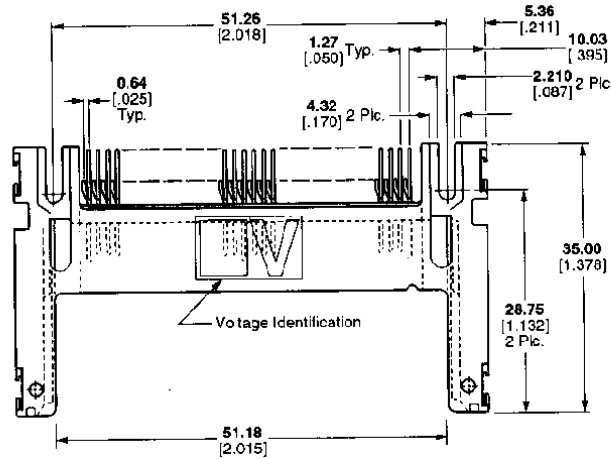
PC Card Headers (Continued)

Header, Non-CardBus, Single Slot, SMT

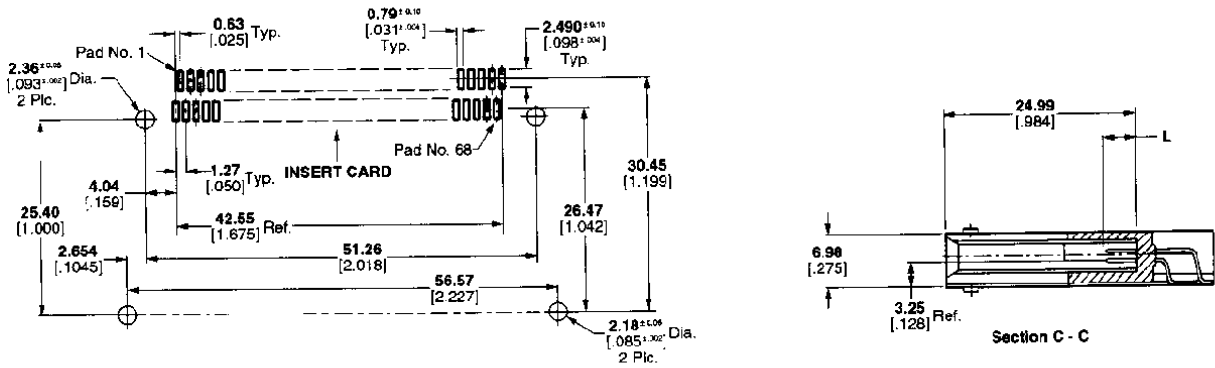
Right Angle

- With Holddowns — No
- Shielded — No
- Housing Material Flammability Rating — UL 94V-0
- Color — Black
- Contact Material — Brass
- Board Mount — Top Side

Technical Documents
 Product Specification:
 108-1469



PC Card Receptacles, I/O Connectors and Frame Kits —
 See page 622 in I/O section



Recommended PC Board Layout

Note: Two size M2 [2-56 UNC] screws (Customer supplied) are required for fastening the connector to the PC board.

No. of Pos.	Packaging Method	Height	
		Raised	Standard
68	Tape & Reel	—	535651-3
68	Tray	535657-1	535651-1

Note: Two size M2 screws (customer supplied) are required for fastening the connector to the PC board.

Sockets
Removable Memory