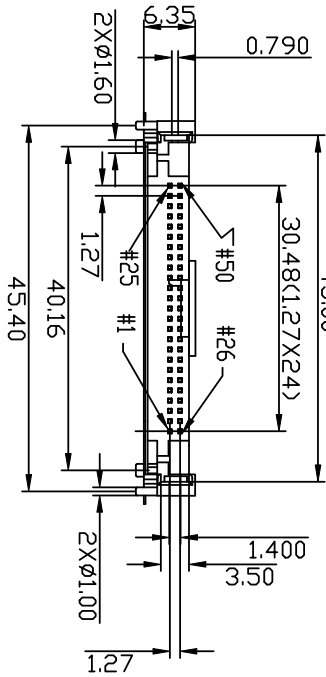
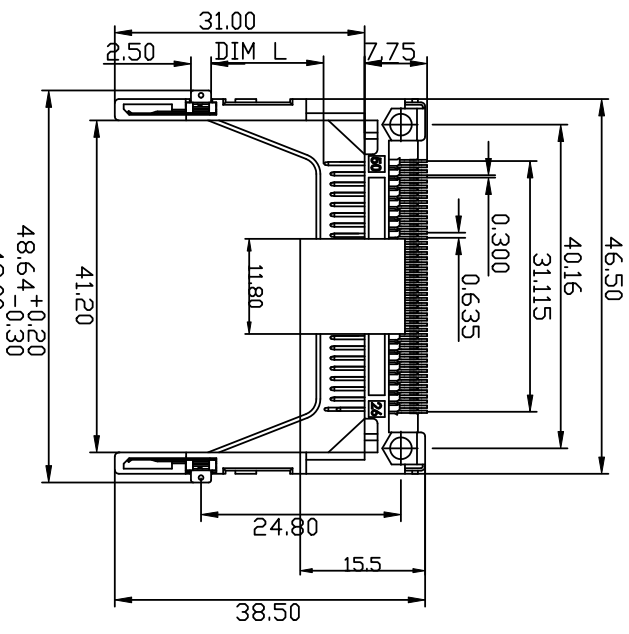




1 | 2

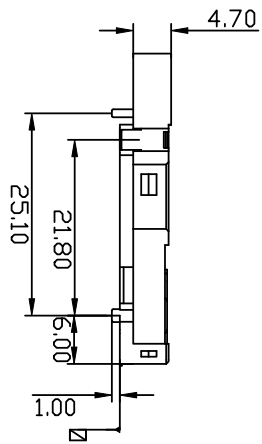


PIN NUMBER	DIM. L
25,26	3.50
ALL OTHER PINS	4.25
1, 13, 38, 50	5.00

1 | 2

3 |

- NOTES :
- MATERIAL : HIGH TEMPERATURE THERMOPLASTIC
INSULATOR : HIGH TEMPERATURE THERMOPLASTIC
FLAMMABILITY RATING: UL94V-0
COLOR: IVORY
 - CONTACT : COPPER ALLOY
GROUND MOUNTING EAR: COPPER ALLOY
PICK-UP CAP: HIGH TEMP THERMOPLASTIC.
 - PLATING :
CONTACT AREA: SELECTIVE GOLD (SEE P/N DESCRIPTION)
UNDER PLATING: 50µ" NICKEL OVERALL
SOLDER TAIL AREA: 100µ" TIN/LEAD OR 100µ" MATTE TIN,
GROUND MOUNT EAR AREA: 100µ" TIN/LEAD OR 100µ" MATTE TIN.
 - SOLDER TAILS TO BE WITHIN 0.05 UPWARD
AND 0.2 DOWNWARD FROM Z-DATUM PLACE,
AND COPPLANARITY OF SOLDER TAILS TO BE WITHIN 0.10mm.
 - PRODUCT SPEC: GS-12-240.
 - PACKAGING SPEC: GS-14-980.



mat'l. code	tolerances unless otherwise specified		CUSTOMER COPY	FCI	title	product family	code
ltr	ecn no.	dr	date	lineor	projection	CF	TWN
A	T06-0258	A.C.	11/21/05	.XX ± 0.20	MM	CF	1 of 3
B	T06-0047	A.C.	3/07/06	.XXX ± 0.10	MM	CF	1 of 3
C	T06-0075	A.C.	4/13/06	0° ± 2°	MM	CF	1 of 3
D	T08-1171	S.LIN	10/12/08	dr	MM	CF	1 of 3
E	T09-1049	S.LIN	04/09/09	enrg	MM	CF	1 of 3
F	T09-1075	S.LIN	05/20/09	chr	MM	CF	1 of 3

ACAD

3 |

code code

4

4



1 | 2

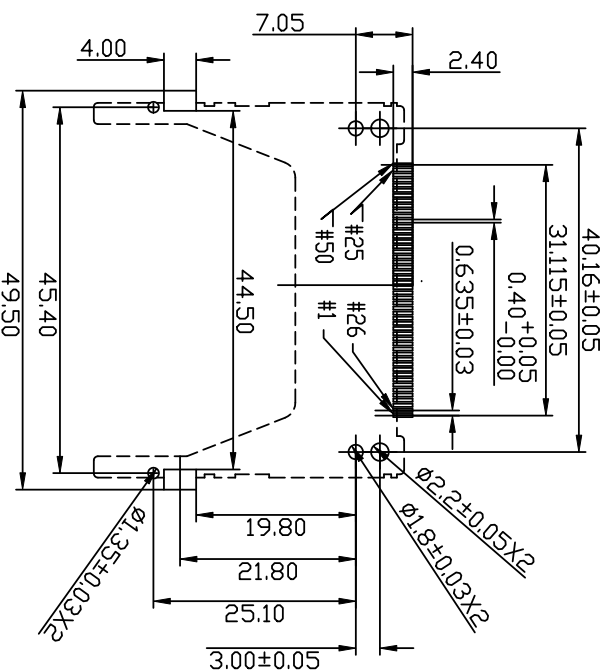
6.Part Number Description:

P/N: **10053868-XX50XX**

- PLATING ON SOLDER TAIL AREA:
BLANK: 100u" TIN/LEAD.
LF: 100u" MATTE TIN.
- 0: WITH PICK-UP CAP + TAPE&REEL PACKAGE.
1: WITHOUT PICK-UP CAP + TRAY PACKAGE.
- 2: WITH PICK-UP CAP + TRAY PACKAGE.
- PIN COUNT.
- KEY TYPE:
1: REVERSE TYPE
- GOLD PLATING:
B: 10u" GOLD PLATE
E: 30u" GOLD PLATE

7. THIS PRODUCT (10053868-XXXXXLF) MEETS THE EUROPEAN UNION DIRECTIVE AS DESCRIBED IN GS-22-008.
8. THIS PRODUCT (10053868-XXXXX) MEETS THE EUROPEAN UNION DIRECTIVE AS DESCRIBED IN GS-22-008 EXCEPT FOR Pb.
9. THE HOUSING WILL WITHSTAND EXPOSURE TO 260°C PEAK TEMPERATURE FOR 10 SECONDS IN A CONVECTION, IR OR VAPER PHASE REFLDW OVEN.
10. THE PRODUCTS WHERE THE PART NUMBER ENDS IN 'LF' MEET THE CRITERIA SHOWN IN THE NOTES 7 AND 9.

3 |



General Tolerance +/-0.05mm
Recommended PCB Pattern

4

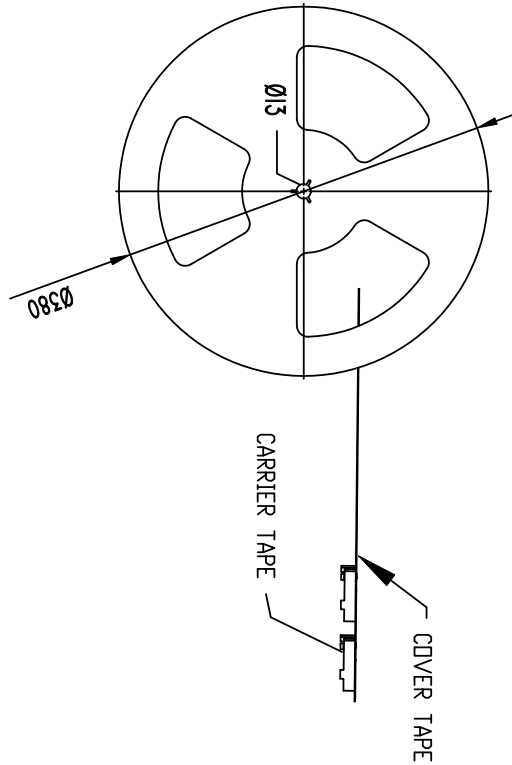
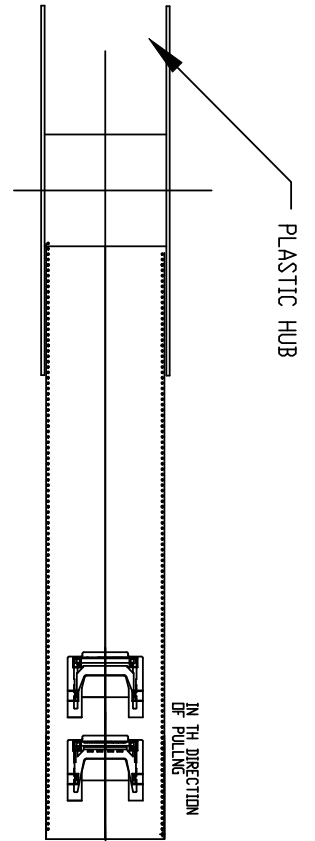
1 | 2

mat'l. code	ecn no.	dr	date	tolerances unless otherwise specified	CUSTOMER COPY	title	product family	code
A	106-0258	A.C.	11/21/05	X ± 0.30		CF HEADER TYPE II REVERSE	CF	TWN
B	106-0047	A.C.	3/07/06	.XX ± 0.20		S/O=0		sheet 3 of 3
C	106-0075	A.C.	4/13/06	XXX ± 0.10				
D	108-1171	S.LIN	10/12/08	0' ±2"				
E	109-1049	S.LIN	04/09/09					
E	109-1075	S.LIN	05/20/09					

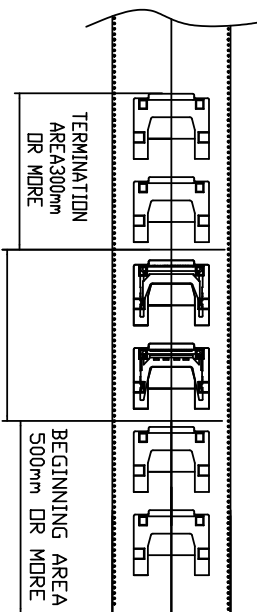
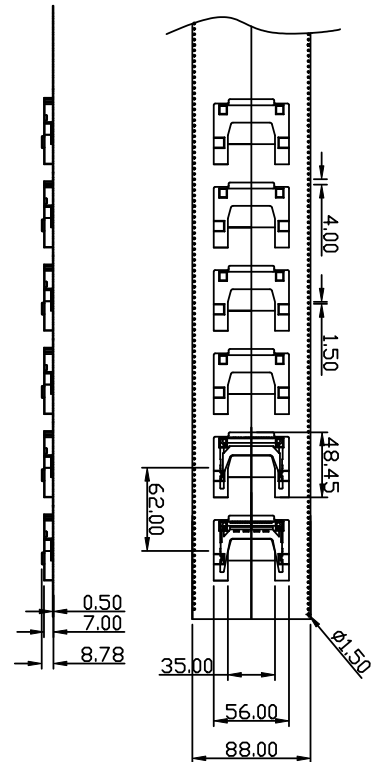
ACAD

3 |

4



NOTES:
 1 CARRIER TAPE: PS T=0,4MM
 2 COVER TAPE: PE
 3 PLASTIC HUB: PS



CONNECTOR PACKAGING
 AREA QUANTITY: 150PCS

COMPOSITION OF PACKAGING

mat'l. code	ecn no.	dr	date	tolerances unless otherwise specified	CUSTOMER COPY	FCI	title	code
A	106-0258	A.C.	11/21/05	X ± 0.30			CF HEADER TYPE II REVERSE	TWN
B	106-0047	A.C.	3/07/06	.XX ± 0.20			S/O=0	sheet
C	106-0075	A.C.	4/13/06	XXX ± 0.10				2 of 3
D	108-1171	S.LIN	10/12/08	0° ± 2°				
E	109-1049	S.LIN	04/09/09	engr	ALLEN CHANG	3/2/05		
F	109-1075	S.LIN	05/20/09	chr	STERLING LIN	3/2/05		
sheet	revision	F	F	F	pppd	H.C LIU	3/2/05	
index	sheet	1	2	3				

ACAD

3

code code

4

1 | 2

3

4