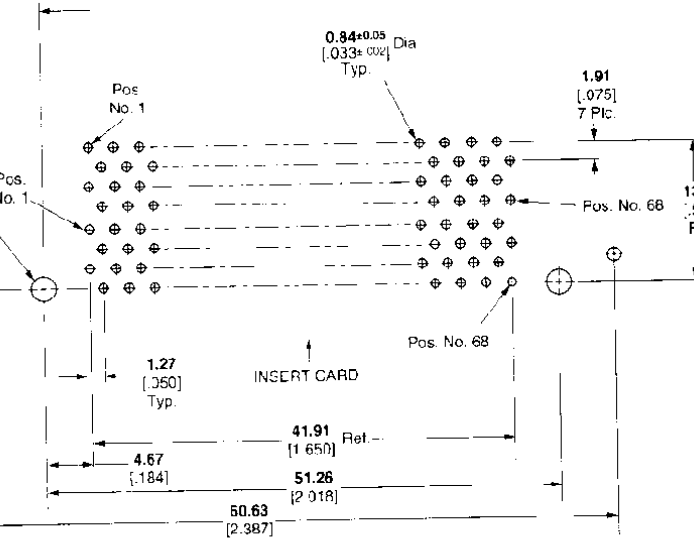
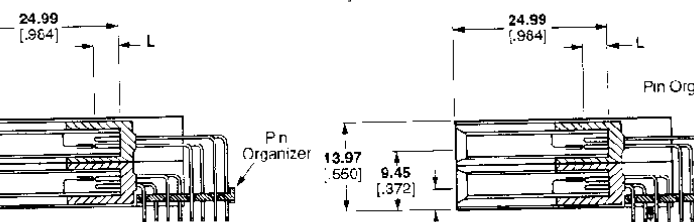
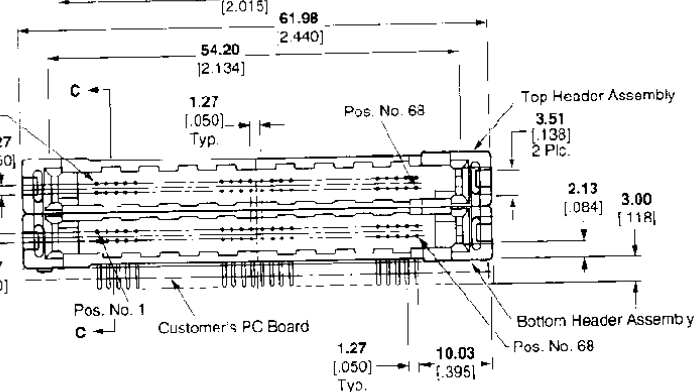
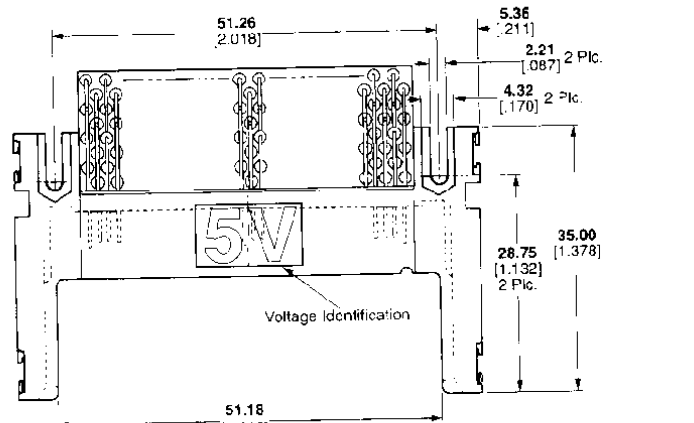
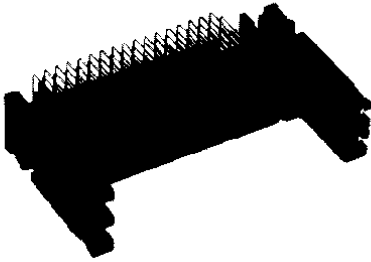


Pin Header, Double Slot, Standard Height, Top Board Thru-Hole Mount

136 Positions

Part Numbers:
146027-1 (No Holddowns)
146028-1 (2 Rear Holddowns)



Recommended PC Board Layout

Pin Length (L)	Pin Locations
5.00 .197	1, 17, 34, 35, 51, 68
4.25 .167	All Others Not Listed
3.50 .136	36, 67

Material and Finish:

Housing and Organizer — Liquid crystal polymer, black

Contacts — Brass; duplex plated 0.00076 [0.00030] minimum gold on mating area, 0.00331 [0.00150] minimum tin-lead on solder tail, with entire contact underplated 0.00127 [0.00050] minimum nickel

Related Product Data:

Mating Receptacle Assemblies — Any 68-position receptacle assembly when mounted in a PCMCIA card frame

Guide Rails — page 34

Ejectors — page 35

Performance Data — page 30

Technical Documents (Page 80):

AMP Product Specification
103-1469

Note: Two size M2 [2-56 UNC] screws (Customer supplied) are required for fastening the connector to the PC Board.

Double Slot, Standard Height
Pin Headers

Dimensions are shown for reference purposes only. Customer Drawings are available upon request.

Dimensions are in millimeters and inches unless specified otherwise. Values in brackets are equivalent U.S. customary units. Chart dimensions are in millimeters over inches.

For drawings, technical data or samples, contact your AMP sales engineer or call the AMP Product Information Center: 1-800-522-5752.

Specifications subject to change. Consult AMP for latest specifications.