

## INFOPORT Series III Headers, Shielded, 0.4 [.016] offset

### 15 Positions



Keying Option	Part Numbers <sup>1</sup>	
	Tape and Reel Packaged	Tray Packaged
1	5-558556-1	558556-1
2	5-558556-2	558556-2
3	5-558556-3	558556-3
4	5-558556-4	558556-4
5	5-558556-5	558556-5

<sup>1</sup>Distance from connector centerline to bottom surface of solder tails is 0.4 [.016].

#### Material and Finish:

**Housing** — Glass-filled nylon molding compound, black, 94V-0 rated

**Contacts** — Phosphor bronze, duplex plated 0.00025 [.000010] minimum gold over 0.00102 [.00004C] minimum palladium nickel over 0.00005 [.000002] minimum gold in contact area, 0.00381 [.000150] minimum tin-lead or solder finish, with entire contact underplated 0.00127 [.000050] minimum nickel

**Shield** — Stainless steel, tin-lead plate

**Striker Plate** — Stainless steel

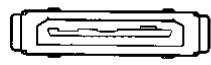
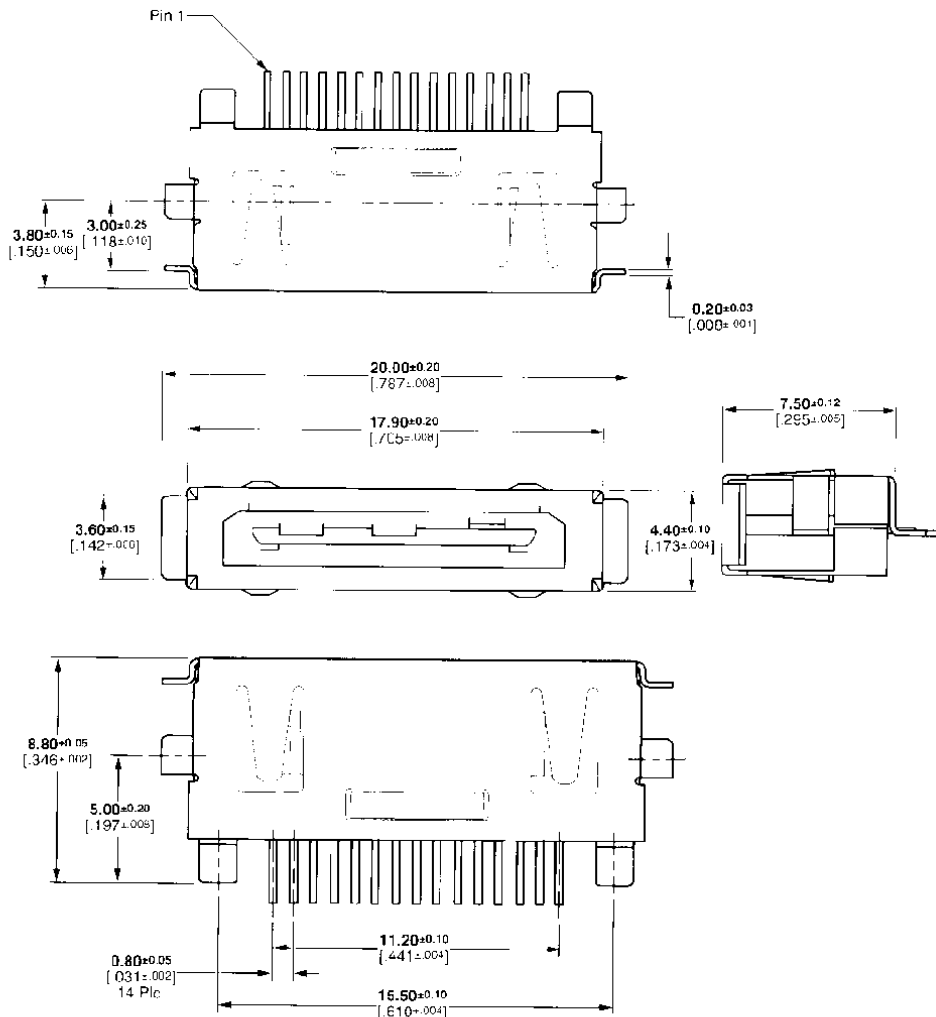
#### Related Product Data:

**Frame Kits** — pages 59, 61, 63 & 64

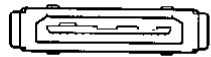
**Mating Cable Connectors** — page 67

#### Technical Documents (Page 80):

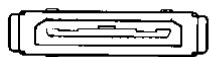
**AMP Application Specification**  
114-6058



Keying Option 1



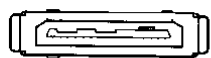
Keying Option 2



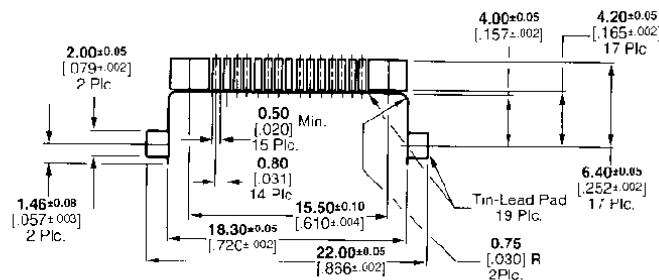
Keying Option 3



Keying Option 4



Keying Option 5



Recommended PC Board Layout

Series III I/O Connectors and Frame Kits