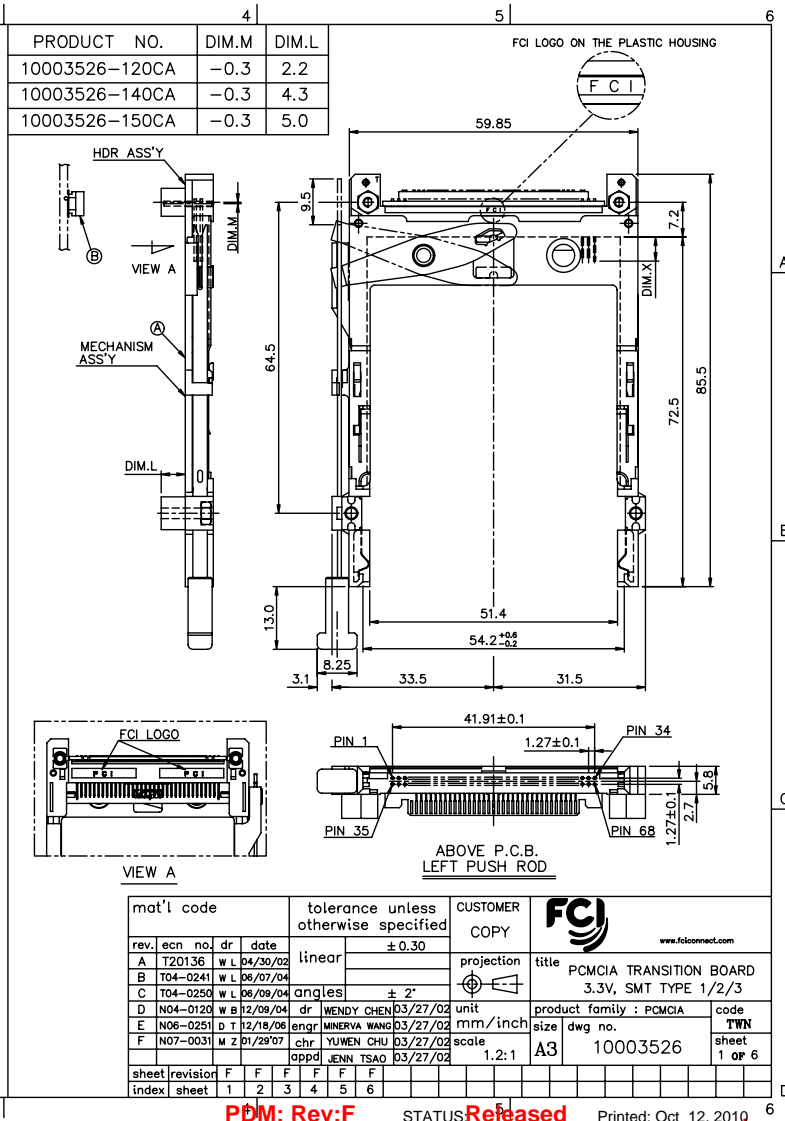
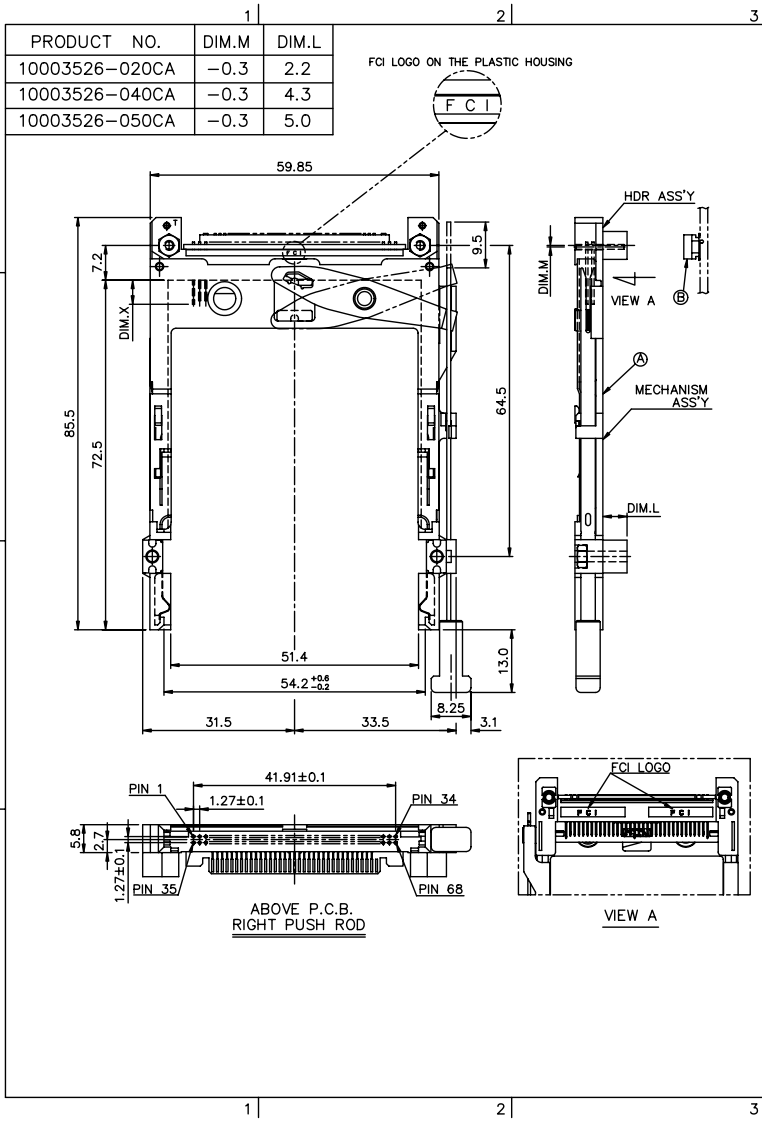


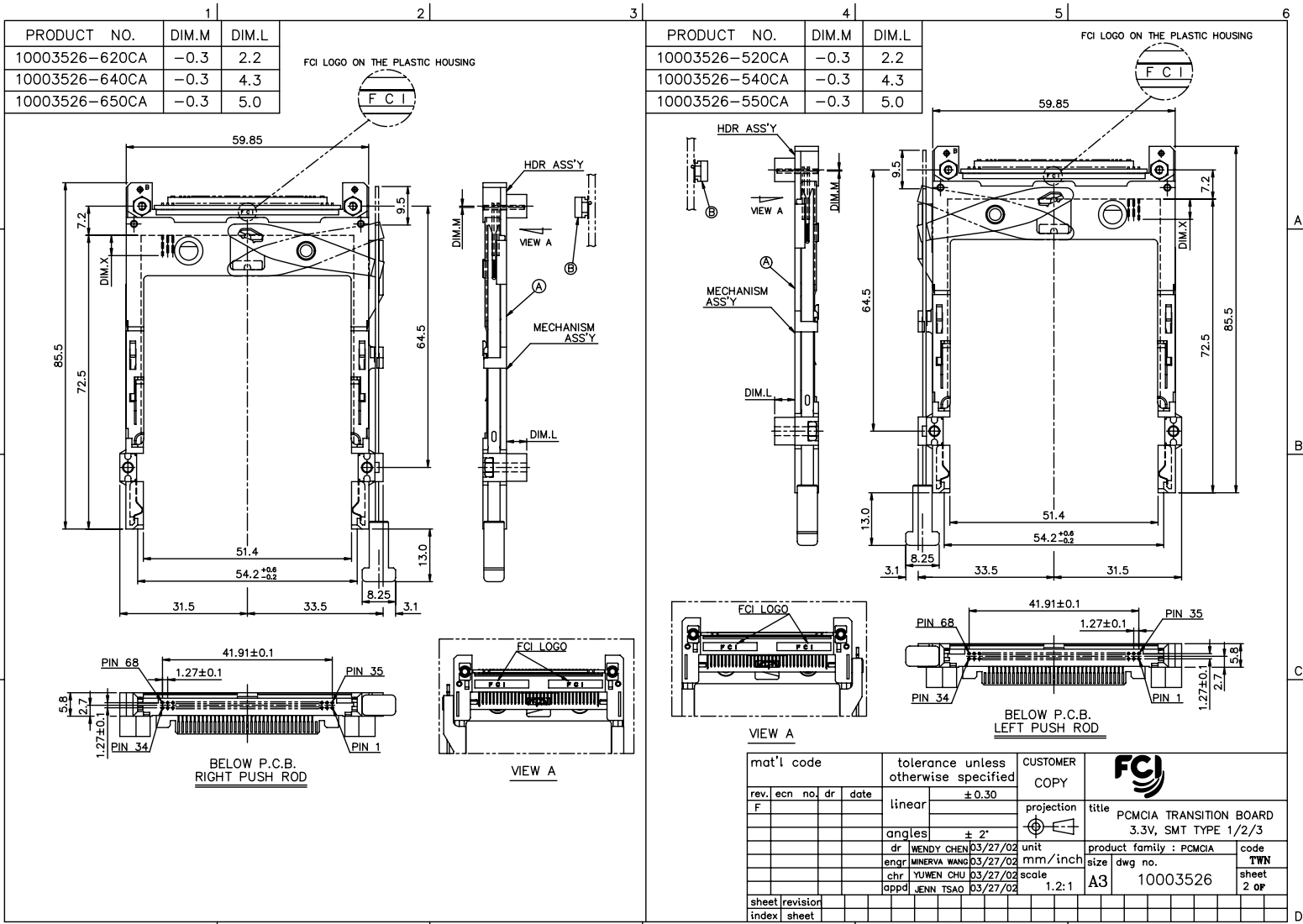
Tous droits réservés. Toute réimpression ou communication à des tiers sans autorisation écrite du propriétaire. Property of BERG ELECTRONICS. All rights reserved. Reproduction or issue to third parties in any form without written authority from the proprietor. Copyright BERG ELECTRONICS.



mat'l code		tolerance unless otherwise specified		CUSTOMER COPY		FCI	
rev.	ecn no.	dr	date	linear	projection	title	
A	T20136	w	04/30/02			PCMCIA TRANSITION BOARD	
B	T04-0241	w	06/07/04			3.3V, SMT TYPE 1/2/3	
C	T04-0250	w	06/09/04	angles	± 2°	product family : PCMCIA	
D	N04-0120	w	12/08/04	dr	WENDY CHEN	03/27/02	unit
E	N06-0251	d	12/18/06	engr	MINERVA WANG	03/27/02	mm/inch
F	N07-0031	m	01/29/07	chr	YUMEN CHU	03/27/02	scale
				appd	JENN TSAO	03/27/02	1.2:1
sheet	revisior	F	F	F	F	F	
index	sheet	1	2	3	4	5	6

PDM: Rev:F STATUS **Released** Printed: Oct 12, 2010

All rights are reserved. Reproduction or translation in any form without the written authority of BERG ELECTRONICS is prohibited.
 Toute réimpression, réproduction ou traduction en quelque forme que ce soit sans autorisation écrite du propriétaire.
 Toute réimpression, réproduction ou traduction sans autorisation écrite du propriétaire.
 Property of BERG ELECTRONICS
 Copyright BERG ELECTRONICS by



PRODUCT NO.	DIM.M	DIM.L
10003526-620CA	-0.3	2.2
10003526-640CA	-0.3	4.3
10003526-650CA	-0.3	5.0

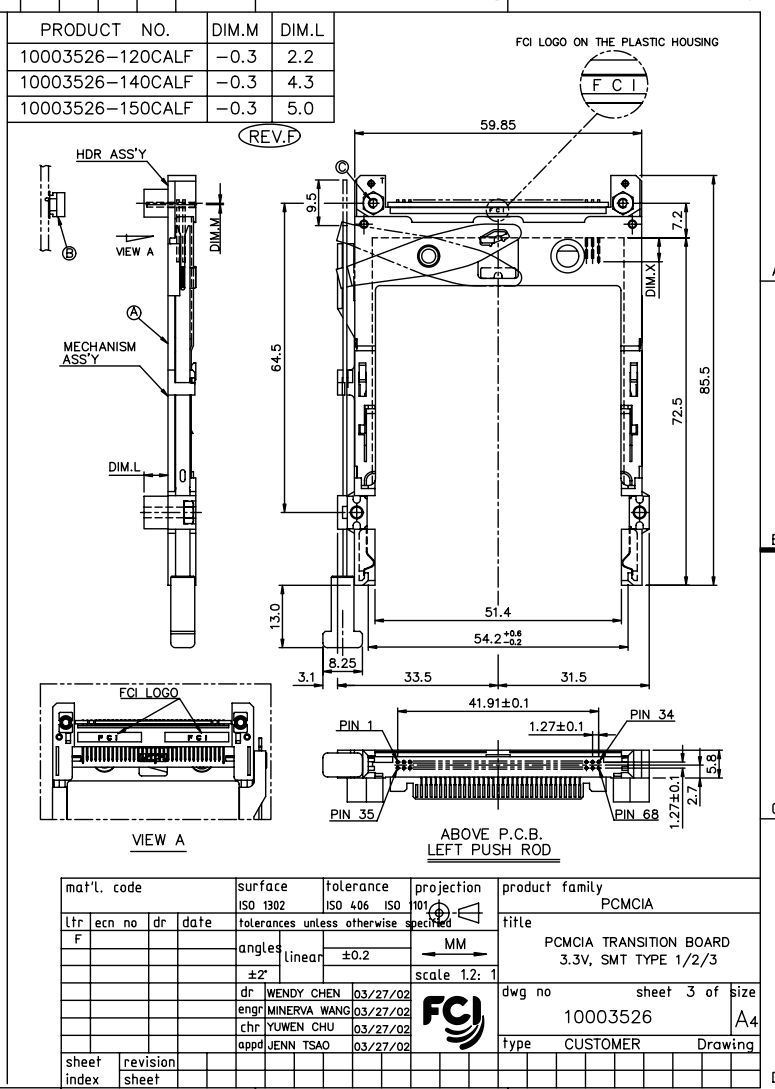
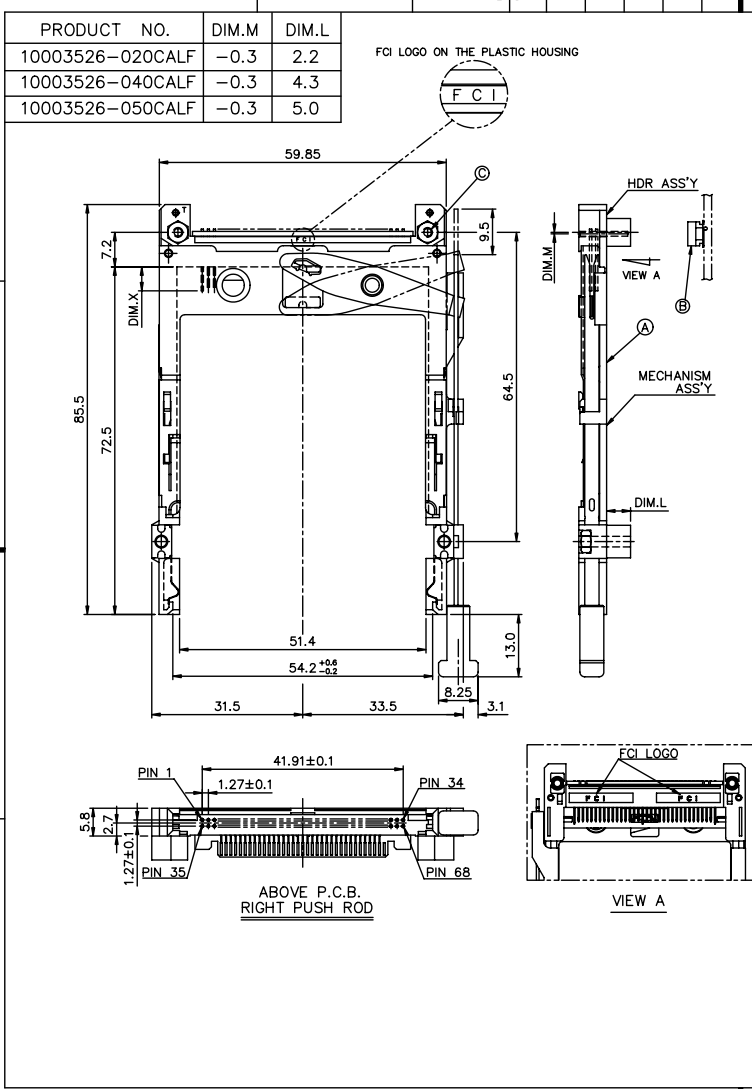
PRODUCT NO.	DIM.M	DIM.L
10003526-520CA	-0.3	2.2
10003526-540CA	-0.3	4.3
10003526-550CA	-0.3	5.0

mat'l code	tolerance unless otherwise specified	CUSTOMER COPY	FCJ	
rev. ecn no. dr date	linear ± 0.30	projection	title PCMCIA TRANSITION BOARD	
	angles ± 2°	unit	3.3V, SMT TYPE 1/2/3	
dr WENDY CHEN 03/27/02		size	product family : PCMCIA	code
enr MINERVA WANG 03/27/02		scale	size	TWN
chr YUWEN CHU 03/27/02		1.2:1	10003526	sheet
appd JENN TSAO 03/27/02				2 of
sheet index	revision sheet			

FCI CONFIDENTIAL

FCI

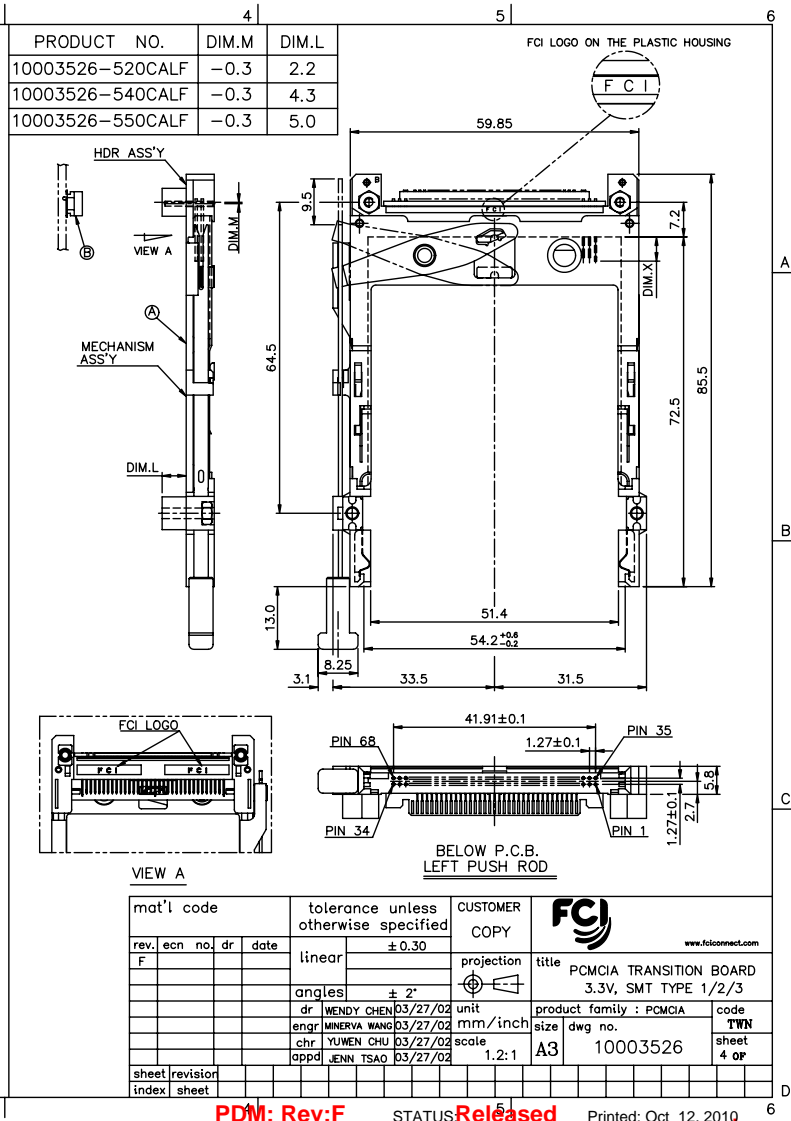
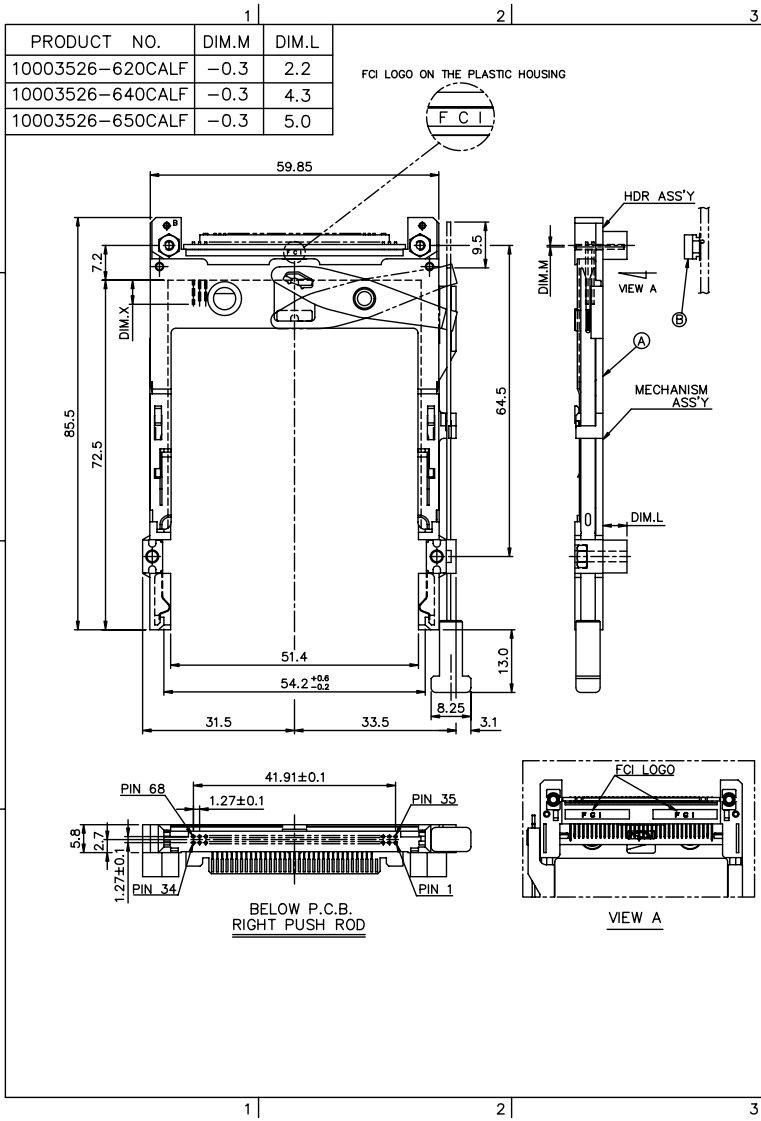
This document is the property of and includes CONFIDENTIAL and PROPRIETARY information of FCI. No part of the information herein may be used in any way or disclosed to others without the written consent of FCI. Copyright © FCI.



mat'l. code	surface	tolerance	projection	product family
	ISO 1302	ISO 406 ISO 101	101	PCMCIA
ltr	ecn no	dr	date	title
F				PCMCIA TRANSITION BOARD 3.3V, SMT TYPE 1/2/3
				angles linear ±0.2
				±2'
				scale 1.2: 1
				MM
				dwg no
				sheet 3 of size
				10003526 A4
				type CUSTOMER Drawing
sheet index	revision sheet			

PDM! Rev:F STATUS Released Printed: Oct 12, 2010 6

All rights are reserved. Reproduction or translation of this drawing in any form without the written authority of FCI is prohibited.
 Toute réimpression, réproduction ou traduction de ce document sans autorisation écrite du propriétaire est formellement interdite.
 Toute réimpression, réproduction ou traduction de ce document sans autorisation écrite du propriétaire est formellement interdite.
 FCI
 FCI ELECTRONICS
 Copyright © BERG ELECTRONICS by



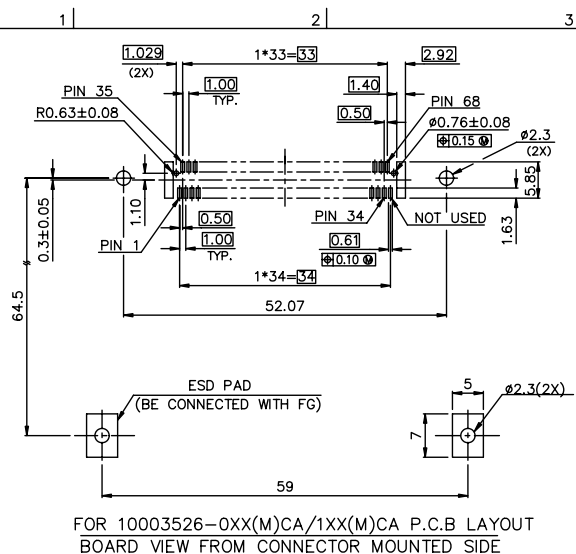
mat'l code	tolerance unless otherwise specified	CUSTOMER COPY	
rev. ecn no. dr date	linear ± 0.30	projection	
	angles ± 2°	unit	title PCMCIA TRANSITION BOARD 3.3V, SMT TYPE 1/2/3
	dr WENDY CHEN 03/27/02	mm/inch	
	enrg MINERVA WANG 03/27/02	size	product family : PCMCIA
	chr YUWEN CHU 03/27/02	scale	code
	appd JENN TSAO 03/27/02	1.2:1	TWN
sheet index	revision sheet		sheet 4 of 4

PDM: Rev:F STATUS **Released** Printed: Oct 12, 2010

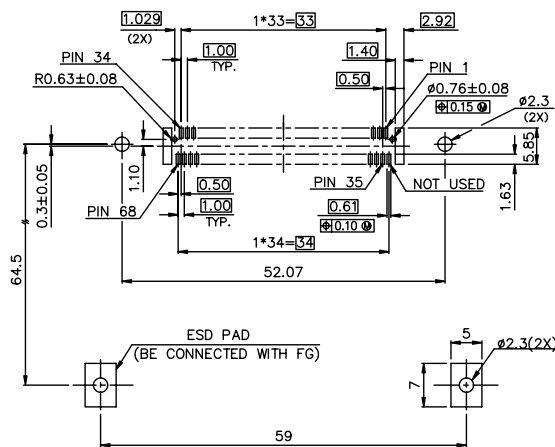
Tous droits réservés. Toute réimpression, reproduction ou communication à des tiers sans autorisation écrite de BERG ELECTRONICS est formellement interdite.



All rights are reserved. Reproduction or communication to third parties in any form without written authorization of BERG ELECTRONICS is strictly prohibited.



FOR 10003526-0XX(M)CA/1XX(M)CA P.C.B LAYOUT
BOARD VIEW FROM CONNECTOR MOUNTED SIDE



FOR 10003526-5XX(M)CA/6XX(M)CA P.C.B LAYOUT
BOARD VIEW FROM CONNECTOR MOUNTED SIDE

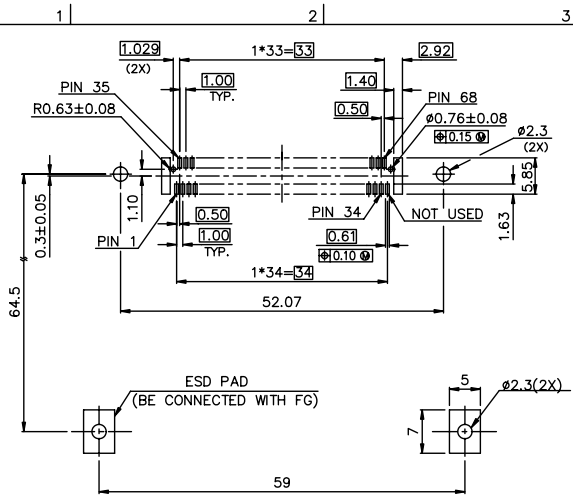
NOTES:

- 8mm MIN. CARD EJECT.
- EJECT TRAVEL: 9.5mm
- PUSH ROD LOCATION AND P.C.B. SIDE ARE AS APPEARS INSTALLED.
- MATERIAL
 - HEADER ASS'Y:
PLASTIC : HOUSING ...LCP UL94V-0 BLACK
PIN : COPPY ALLOY (REV.F)
PCB : FR4
 - EJECT MECHANISM ASS'Y:
GUIDE: PLASTIC ,UL94V-0 BLACK (REV.F)
BUTTON: PLASTIC, UL94V-0 BLACK
PLATE AND PUSH ROD : STAINLESS STEEL
EMI CONTACT: PHOSPHOR BRONZE
- FINISH (PIN)
 - UNDER PLATING : 0.5µm MIN. Ni
 - CONTACT AREA : 0.1µm MIN. GOLD OVER
 - 0.5µm MIN. Pd-Ni
 - CONTACT AREA (FOR****LF) : 0.25µm MIN. GOLD (REV.F)
 - SOLDER TAIL(TIN LEAD OPTION): 2.5µm MIN. Sn-Pb
 - SOLDER TAIL(LEAD FREE OPTION): 2.5µm MIN. PURE TIN
- IF LEAD FREE P/N.THE HOUSING WILL WITHSTAND EXPOSURE TO 260°C PEAK TEMPERATURE FOR 10 SECONDS IN A WAVE SOLDER APPLICATION WITH A 1.00MM MINIMUM THICK CIRCUIT BOARD.
- LEAD FREE PRODUCT MEETS EUROPEAN UNION DIRECTIVES AND OTHER COUNTRY REGULATIONS AS DISCRIBED IN GS-22-008
- LEAD FREE PRODUCT PACKAGING MEETS GS-14-920 SPECIFICATION
- DIM "X"

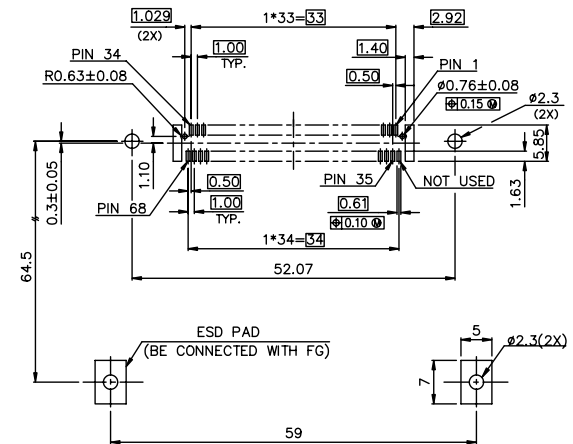
4.25±0.1	3.5±0.1	5.0±0.1
OTHERS	36,67	1,17,34,35,51,68

mat'l code		tolerance unless otherwise specified		CUSTOMER COPY		FCJ		www.fcjconnect.com	
rev.	ecn no.	dr	date	linear	±0.1	projection	title		
F				angles			P.C.B LAYOUT		
				dr	WENDY CHEN 03/27/02	unit	product family : PCMCIA		code
				enrg	MNERVA WANG 03/27/02	mm/inch	size		TWN
				chr	YUWEN CHU 03/27/02	scale	A3		10003526
				appd	JENN TSAO 03/27/02				sheet 5 of
sheet	revision								
index	sheet								

PDM: Rev:F STATUS: Released Printed: Oct 12, 2010



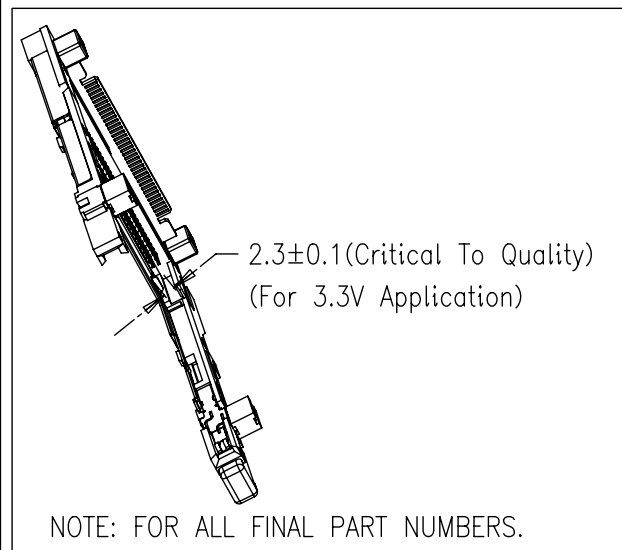
FOR 10003526-0XX(M)CALF/1XX(M)CALF P.C.B LAYOUT
BOARD VIEW FROM CONNECTOR MOUNTED SIDE



FOR 10003526-5XX(M)CALF/6XX(M)CALF P.C.B LAYOUT
BOARD VIEW FROM CONNECTOR MOUNTED SIDE

ORDERING INFORMATION		
NAME	PART NO.	Q'TY
(A) EJECT HEADER ASS'Y	10003526-XXXXX	1
(B) MATING RECEPTACLE	91931-31169	1

NAME	PART NO.	Q'TY
(A) EJECT HEADER ASS'Y	10003526-XXXXXLF	1
(B) MATING RECEPTACLE	91931-31169LF	1



NOTE: FOR ALL FINAL PART NUMBERS.

mat'l code		tolerance unless otherwise specified		CUSTOMER COPY		FCJ		www.fciconnect.com	
rev.	ecn no.	dr	date	linear	±0.1	projection	title		
F				angles			P.C.B LAYOUT		
				dr	WENDY CHEN 03/27/02	unit	product family : PCMCIA		code
				enrg	MINERVA WANG 03/27/02	mm/inch	size		TWN
				chr	YUWEN CHU 03/27/02	scale	10003526		sheet
				appd	JENN TSAO 03/27/02	A3	6 of 6		6 of 6
sheet	revision								
index	sheet								

PDM: Rev:F STATUS Released Printed: Oct 12, 2010

Tous droits réservés. Toute réimpression, reproduction ou communication à des tiers sans autorisation écrite de BERG ELECTRONICS est formellement interdite.



All rights are reserved. Any reprinting or unauthorized communication without written authorization from BERG ELECTRONICS is prohibited.