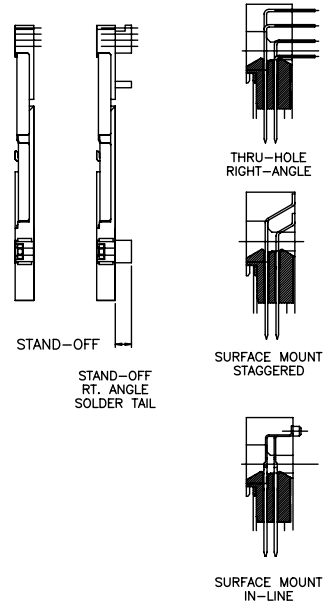
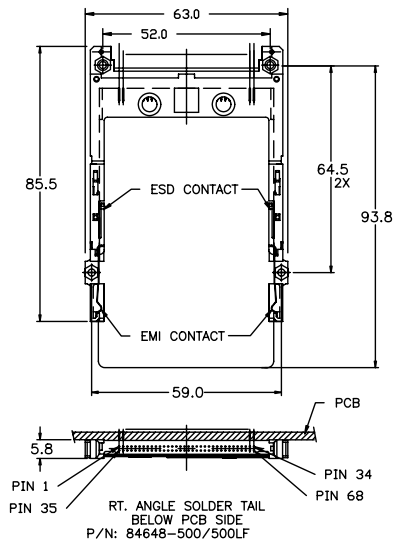
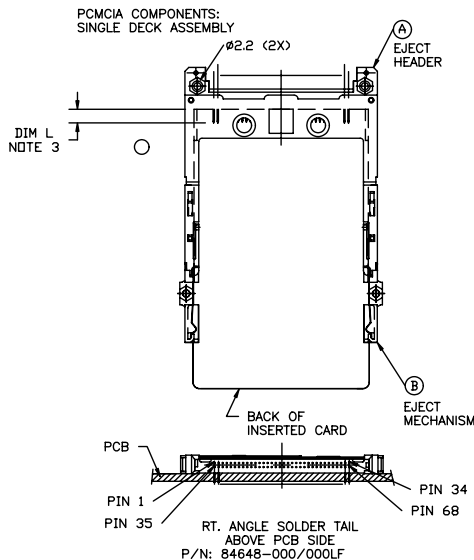


FCI CONFIDENTIAL

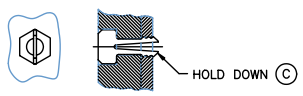
FCI

This document is the property of and includes CONFIDENTIAL and PROPRIETARY information of FCI. No part of this information may be used in any way or disclosed to others without the written consent of FCI. Copyright © FCI.

PCMCIA COMPONENTS:  
SINGLE DECK ASSEMBLY



- NOTES: 1 REFER TO HEADER DRAWING 94898 AND NON-EJECT MECHANISM 92791 FOR ADDITIONAL DIMENSIONS, MATERIAL, AND PLATING INFORMATION.  
2 REFER TO TA-946 FOR PCB LAYOUT AND PCB KEEP-OUT AREA.  
3 RECOMMENDED SCREW TORQUE: 1.0 TO 1.5 MAX in-lbs. (1.2-1.7 cm-kgs).  
4 PCB SIDE IS AS APPEARS INSTALLED.  
5 SOLDER TAIL KEY:  
R/A = RIGHT ANGLE PIN-THROUGH-HOLE  
SMT-STG = STAGGERED SURFACE MOUNT  
SMT-IL = SURFACE MOUNT IN-LINE (SINGLE ROW)  
6 DIM L
- |          |         |                  |
|----------|---------|------------------|
| 4.25±0.1 | 3.5±0.1 | 5.0±0.1          |
| OTHERS   | 36.67   | 1,17,34,35,51,68 |
- 7 ADD "H" TO PART NUMBER FOR OPTIONAL HOLD DOWN (4 PER ASSEMBLY)



- 8 ADD "LF" TO PART NUMBER FOR LEAD-FREE TYPE.  
9 IF LEAD FREE P/N. THE HOUSING WILL WITHSTAND EXPOSURE TO 260°C PEAK TEMPERATURE SOLDER TAIL : SMT-IL, SMT-STG CAN RESIST 40 SECONDS IN A CONVECTION, INFRA-RED OR VAPOR PHASE REFLOW OVEN. SOLDER TAIL : R/A CAN RESIST 10 SECONDS IN A WAVE SOLDER APPLICATION WITH A 1.00MM MINIMUM THICK CIRCUIT BOARD.  
10 IF LEAD FREE P/N. THE PRODUCT MEETS EUROPEAN UNION DIRECTIVES AND OTHER COUNTRY REGULATIONS AS DISCRIBLED IN GS-22-008  
11 LEAD FREE P/N PACKAGING MEETS GS-14-920 SPECIFICATION

mat'l. code		surface	tolerance	projection	product family
		ISO 1302	ISO 406 ISO 1101	101	PCMCIA
lfr	ecn no	dr	date	tolerances unless otherwise specified	title
M	N05-0181	WB	06/21/05	.X±.3	68 POS. 3.3VNON-EJECT HEADER ASSEMBLY
N	N05-0190	WB	07/01/05	.XX±.13	
P	N06-0065	MZ	03/14/06	±2° .XXX±.051	MM scale 1:1
R	N07-0245	MZ	10/09/07	dr	R.GRAPE
S	N08-0099	MZ	05/19/08	engr	D.BRANN
T	N08-0219	MZ	11/18/08	chr	D.BRANN
				pppd	D.BRANN
sheet	revision	T	T	T	
index	sheet	1	2	3	4



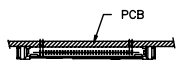
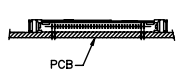
FCI CONFIDENTIAL

FCI

This document is the property of end user. CONFIDENTIAL and PROPRIETARY information of FCI. No part of the information shown on this document may be used in any way or disclosed to others without the written consent of FCI. Copyright © FCI.

PCMCIA COMPONENTS: SINGLE DECK ASSEMBLY

PCB SIDE (A)	SOLDER TAIL (B)	STANDOFF (MM)	(A) EJECT HEADER	(B) EJECT MECHANISM	(C) NOTE (D) HOLD DOWN	QTY.	TO MAKE FINAL ASSY PART NUMBER	MOUNTING STYLE TO P.C.B.
ABOVE	R/A	NONE	94898-000	92791-001			84648-000	
ABOVE	R/A	NONE	94898-000	92791-001	93925-001	4	84648-000H	
ABOVE	R/A	2	94898-040	92791-021			84648-020	
ABOVE	R/A	2	94898-040	92791-021	93925-002	4	84648-020H	
ABOVE	R/A	4	94898-010	92791-041			84648-040	
ABOVE	R/A	4	94898-010LF	92791-041			-040LF	
ABOVE	R/A	4	94898-010	92791-041	93925-003	4	84648-040H	
ABOVE	R/A	4	94898-010LF	92791-041	-003	4	-040HLF	
ABOVE	R/A	5	94898-020	92791-051			84648-050	
ABOVE	R/A	5	94898-020	92791-051	93925-004	4	84648-050H	
ABOVE	R/A	5	94898-021MLF	92791-051M	93925-011	4	84648-050HLF	
ABOVE	R/A	5	94898-020	92791-051	63284-104	2	84648-055	
ABOVE	R/A	5	94898-021MLF	92791-051M	63284-104	2	84648-055LF	
ABOVE	R/A	5	94898-021MLF	92791-053M	63284-104	4	84648-056HLF	
ABOVE	R/A	5	94898-021MLF	92791-051M	63284-011	4	84648-051HLF	
ABOVE	SMT-IL	NONE	94898-002	92791-001			84648-002	
ABOVE	SMT-IL	NONE	94898-002LF	92791-001			-002LF	
ABOVE	R/A	NONE	94898-000LF	92791-001			84648-000LF	
ABOVE	R/A	NONE	94898-000LF	92791-001	93925-001	4	84648000HLF	
ABOVE	R/A	2	94898-040LF	92791-021			84648-020LF	
ABOVE	R/A	2	94898-040LF	92791-021	93925-002	4	84648020HLF	
ABOVE	R/A	5	94898-020LF	92791-051			84648-050LF	
ABOVE	SMT-IL	NONE	94898-002	92791-001	93925-001	4	84648-002H	
ABOVE	SMT-STG	NONE	94898-001	92791-001			84648-001	
ABOVE	SMT-IL	NONE	94898-002LF	92791-001	-001	4	84648-002HLF	
ABOVE	SMT-STG	NONE	94898-001LF	92791-001			84648-001LF	
BELOW	R/A	NONE	94898-500	92791-001			84648-500	
BELOW	R/A	2	94898-540	92791-021			84648-520	
BELOW	R/A	4	94898-510	92791-041			84648-540	
BELOW	R/A	5	94898-520	92791-051			84648-550	
BELOW	R/A	5	94898-520	92791-051	93925-004	4	84648-550H	
BELOW	R/A	NONE	94898-500LF	92791-001			84648-500LF	
BELOW	R/A	2	94898-540LF	92791-021			84648-520LF	
BELOW	R/A	4	94898-510LF	92791-041			84648-540LF	
BELOW	R/A	5	94898-520LF	92791-051			84648-550LF	
BELOW	R/A	5	94898-520LF	92791-051	93925-004	4	84648550HLF	
BELOW	SMT-IL	NONE	94898-502	92791-001			84648-502	
BELOW	SMT-IL	NONE	94898-502	92791-001	93925-001	4	84648-502H	
BELOW	SMT-STG	NONE	94898-501	92791-001			84648-501	
BELOW	SMT-IL	NONE	94898-502LF	92791-001			84648-502LF	
BELOW	SMT-IL	NONE	94898-502LF	92791-001	93925-001	4	84648502HLF	
BELOW	SMT-STG	NONE	94898-501LF	92791-001			84648-501LF	



mat'l. code	surface ISO 1302	tolerance ISO 406 ISO 101	projection	product family PCMCIA
lfr	ecn no	dr	date	title
T				68 POS. 3.3VNON-EJECT HEADER ASSEMBLY
				MM
				scale 1:1
				dwg no 84648
				sheet 2 of 4 size A4
				type CUSTOMER Drawing
sheet index	revision sheet			

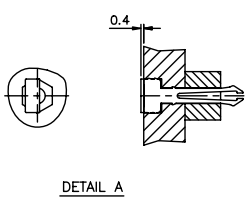
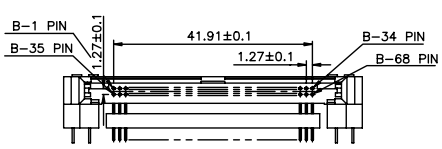
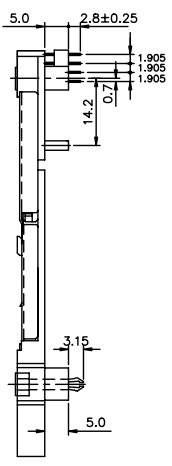
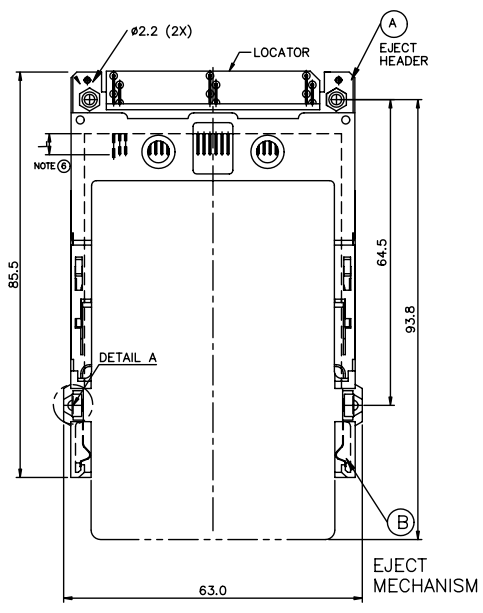
PDM! Rev:T STATUS Released Printed: Oct 12, 2010 6

FCI CONFIDENTIAL

FCI

This document is the property of and includes CONFIDENTIAL and PROPRIETARY information of FCI. No part of this information shown on this document may be used in any way or disclosed to others without the written consent of FCI. Copyright © FCI.

PRODUCT NO.  
84648-055/055LF



- 84648-X X X X X
- OPTIONAL LEED FREE NONE : N O  
LF : YES
  - OPTIONAL HOLD DOWN NONE : N O  
H : YES (SEE FIGURE OF -xxxH)
  - SOLDER TAIL 0 : R/A  
1 : SMT STAGGERED  
2 : SMT IN LINE  
5 : R/A (MECHANISM WITH 2 HOLD DOWN)  
6 : R/A (COVER WITH SPRING)
  - STAND OFF 0 : 0mm  
2 : 2mm  
4 : 4mm  
5 : 5mm
  - MOUNTING STYLE 0 : TOP MOUNTING  
5 : BOTTOM MOUNTING

mat'l. code		surface	tolerance	projection	product family
ISO 1302		ISO 406	ISO 101	PCMCIA	
ltr	ecn no	dr	date	title	
T				68 POS. 3.3VNON-EJECT HEADER ASSEMBLY	
angles		linear		MM	scale 1:1
±2°		.XX±.13			
		.XXX±.051			
dr	R.GRAPE	6/22/98			
engr	D.BRANN	6/22/98			
chr	D.BRANN	6/22/98			
pppd	D.BRANN	6/22/98			
sheet index	revision sheet				

PDM! Rev:T STATUS Released Printed: Oct 12, 2010 6

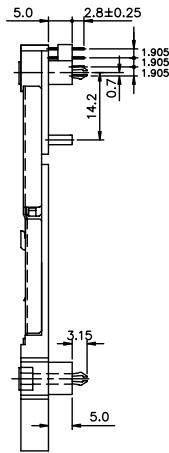
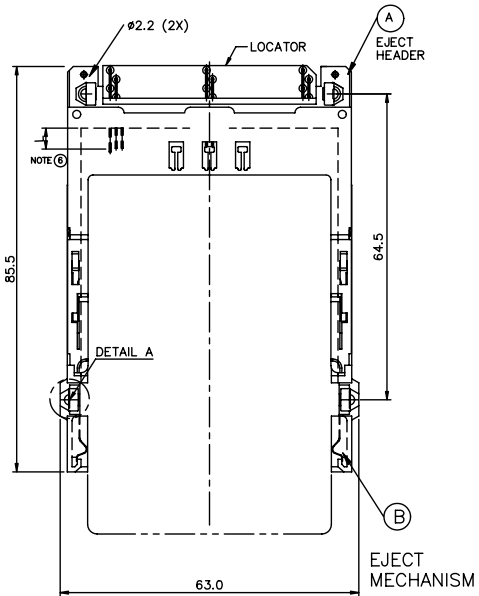
form: A3

FCI CONFIDENTIAL

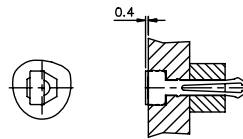
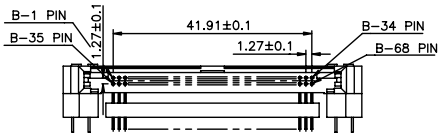
FCI

This document is the property of and includes CONFIDENTIAL and PROPRIETARY information of FCI. No part of this information shown on this document may be used in any way or disclosed to others without the written consent of FCI.  
Copyright © FCI

PRODUCT NO.  
84648-056HLF



- 84648-X X X X X
- OPTIONAL LEED FREE NONE : N O  
LF : YES
  - OPTIONAL HOLD DOWN NONE : N O  
H : YES (SEE FIGURE OF -xxxH)
  - SOLDER TAIL 0 : R/A  
1 : SMT STAGGERED  
2 : SMT IN LINE  
5 : R/A ( MECHANISM WITH 2 HOLD DOWN)  
6 : R/A (COVER WITH SPRING)
  - STAND OFF 0 : 0mm  
2 : 2mm  
4 : 4mm  
5 : 5mm
  - MOUNTING STYLE 0 : TOP MOUNTING  
5 : BOTTOM MOUNTING



DETAIL A

mat'l. code		surface	tolerance	projection	product family
ISO 1302		ISO 406	ISO 101	PCMCIA	
ltr	ecn no	dr	date	title	
T				68 POS. 3.3VNON-EJECT HEADER ASSEMBLY	
angles		linear	.X±.3	MM	
±2'			.XX±.13	scale 1:1	
			.XXX±.051		
dr	R.GRAPE	6/22/98		FCI	
engr	D.BRANN	6/22/98		84648	A4
chr	D.BRANN	6/22/98		type CUSTOMER	Drawing
pppd	D.BRANN	6/22/98			
sheet index	revision sheet				

PDM! Rev:T

STATUS Released

Printed: Oct 12, 2010 6

form: A3